

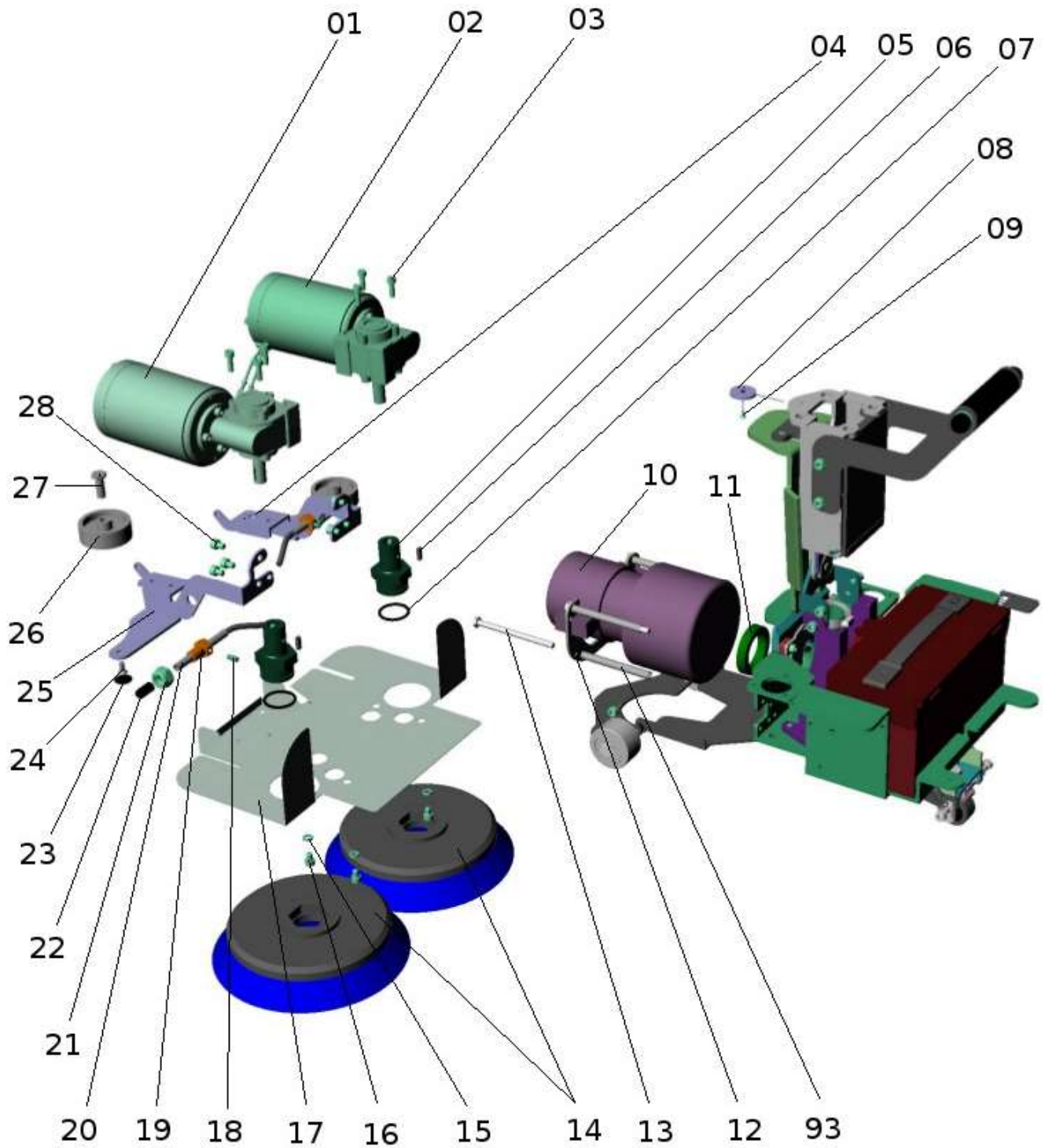


# MIRA 40

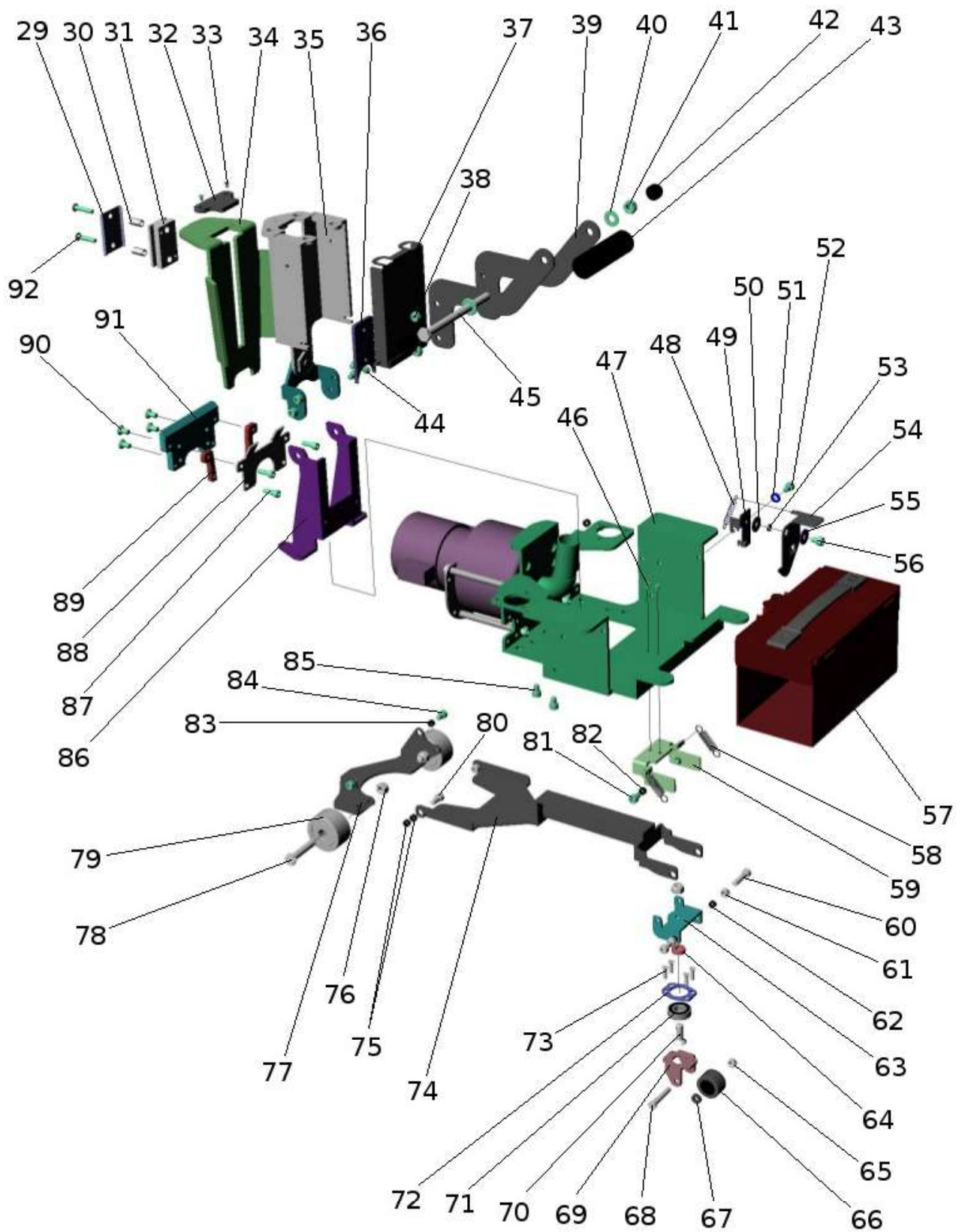
RELEASE 04-05



26 02 2018



CODE	DESCRIPTION	TAB
GRP0115	CHASSIS ASSEMBLY	1

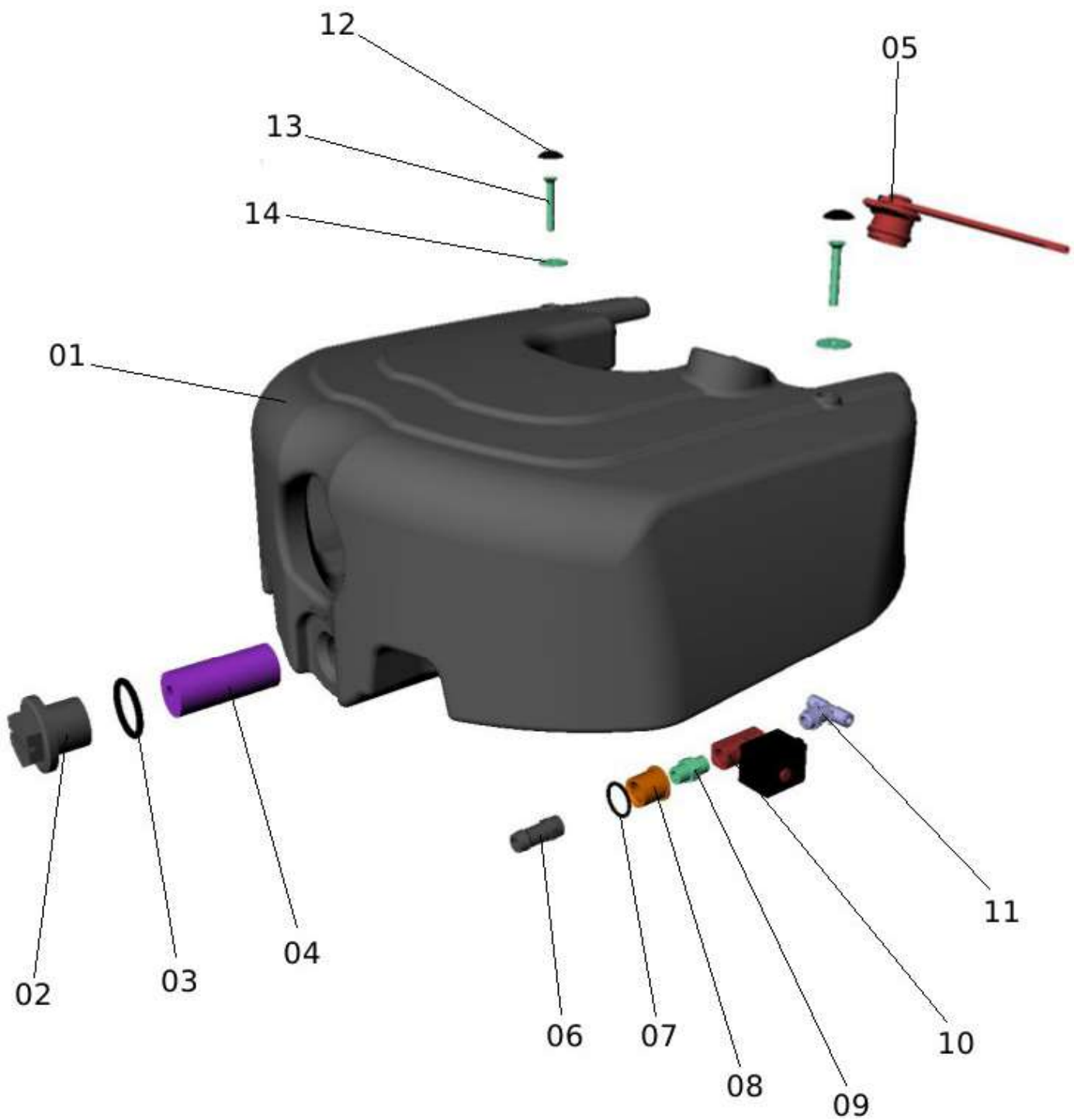


CODE	DESCRIPTION	TAB
GRP0115	CHASSIS ASSEMBLY	2

**GRP00115 – COMPLETE CHASIS**

<b>POS.</b>	<b>COD.</b>	<b>DESCRIPTION</b>	<b>QTY</b>
01	MOT0033	LEFT BRUSH MOTOR	1
02	MOT0032	RIGHT BRUSH MOTOR	1
03	VIT0092	SCREW	6
04	LEV0190	RIGHT WHELL SUPPORT	1
05	INN0018	BRUSH COUPLING O-RING	2
06	MIN0021	SHAFT KEY	2
07	MIN0017	BRUSH COUPLING O-RING	1
08	COM0070	MAGNET	1
09	VIT0104	SCREW	1
10	KIT0064	KIT VAC MOTOR	1
11	GUA0019	GASKET KIT MIRA	1
12	PIA0161-X	VAC MOTOR PLATE	1
13	VIT0109	SCREW	4
14	SPA0026	BRUSH PPL 170/200	2
	SPA0026.P	BRUSH PES 170/200 (OPT.)	2
	SPA0026.T	(OPT.)	2
	SPA0026.TX	BRUSH TYNEX 170/200 (OPT.)	2
15	ROS0028	WASHER	4
16	VIT0019	SCREW	4
17	PIA0163	PROTECTION PLATE	1
18	VIT0108	SCREW	2
19	BOC0094	WATER HOSE BUSH	2
20	BOC0093	HOSE NOOZLE	2
21	DAD0014	RING NUT	2
22	COM0072	HOSE CAP	2
23	COM0061	SCREW CAP	2
24	VIT0046	SCREW	2
25	LEV0191	LEFT WHELL SUPPORT	1
26	ROT0016	ADJUSTING WHEEL SQG	2
27	ALB0065	BUMPER WHEEL SHAFT	2
28	VIT0019	SCREW	6
29	LEV0149-X	COVER PLATE	1
30	BOC0092	BUSH 6x8x15,5	2
31	COS0075	SLED	1
32	PIA0180-V	MAGNET PLATE	1
33	VIT0104	SCREW	2
34	PIA0162-X	HANDLE LOCK	1
35	KIT0059-X	HANDLE SUPPORT	1
36	PIA0181-X	RINFORCED PLATE	1
37	LEV0143-X	SUPPORT COVER	1
38	DAD0011	RING NUT	2
39	PIA0194-X	HANDLE PLATE	2
40	ROS0012	WASHER	4
41	DAD0013	RING NUT	1
42	COM0075	NUT COVERING	2
43	BOC0098	HANDLE	1

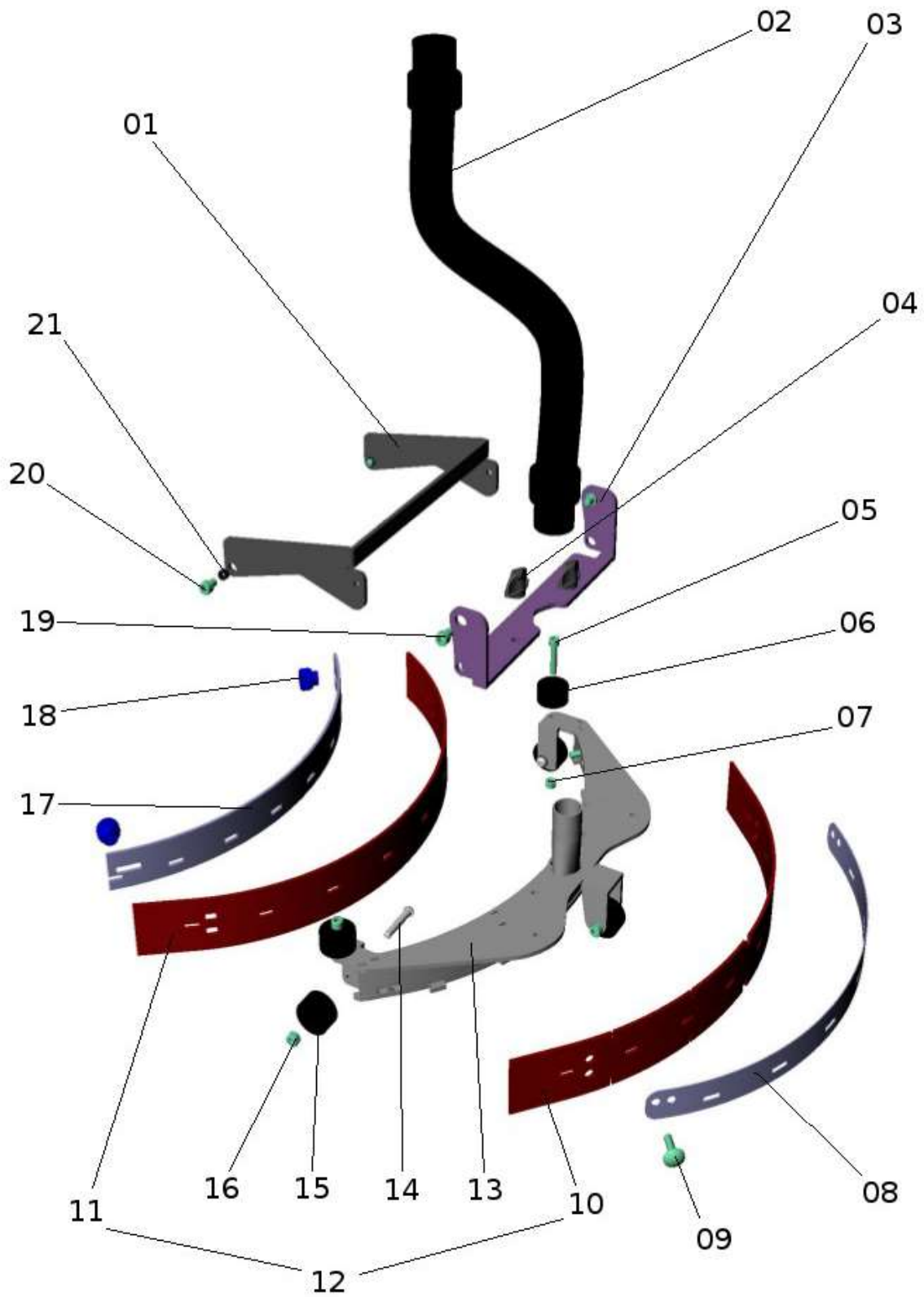
44	DAD0016	RING NUT	2
45	VIT0037	SCREW	1
46	VIT0074	SCREW	2
47	TEL0018-X	CHASSIS	1
48	MOL0023	SPRING	1
49	LEV0187	HOOK LEVER SUPPORT	1
50	ROS0016	WASHER	1
51	ROS0031	WASHER	1
52	VIT0019	SCREW	1
53	BOC0046	SPRING BUSH	1
54	LEV0186	HOOK LEVER	1
55	ROS0016	WASHER	1
56	VIT0019	SCREW	1
57	KIT0054	BATTERY PACK 36 VOLT	1
58	MOL0022	SPRING	2
59	LEV0193	SPRING SUPPORT	1
60	VIT0025	SCREW	2
61	DAD0011	RING NUT	2
62	BOC0091	BUSH 6 X 8	2
63	LEV0192	ROTATING SUPPORT	1
64	BOC0102	SUPPORT PIVOT BUSH	1
65	DAD0023	RING NUT	1
66	ROT0030	WHEEL D=30	1
67	BOC0101	SPACER PIVOT BUSH	1
68	VIT0113	SCREW	1
69	LEV0194	CASTER WHEEL SUPPORT	1
70	VIT0044	SCREW	1
71	CUS0013	BEARING	1
72	PIA0201	BEARING PLATE	1
73	VIT0112	SCREW	4
74	LEV0189	CONNECTION LEVER	1
75	BOC0091	BUSH 6 X 8	4
76	DAD0013	RING NUT	1
77	LEV0188	FRONT PLATE	1
78	VIT0070	SCREW	2
79	ROT0029	WHEEL D=50	2
80	VIT0065	SCREW	2
81	VIT0025	SCREW	2
82	BOC0091	BUSH 6 X 8	2
83	BOC0091	BUSH 6 X 8	2
84	VIT0019	SCREW	2
85	VIT0101	SCREW	4
86	LEV0145-X	MAIN SUPPORT	1
87	VIT0092	SCREW	4
88	PIA0182-X	HANDLE FIXING DOOR	1
89	LEV0150-X	SIDE GUIDE	2
90	VIT0102	SREW	4
91	LEV0148-X	HANDLE GUIDE SUPPORTO	1
92	VIT0103	SCREW	2
93	BOC0093	HOSE NOOZLE	4



CODE	DESCRIPTION	TAB
GRP0116	TANK ASSEMBLY	1

## GRP00116 – TANK ASSEMBLY

POS.	COD.	DESCRIPTION	QTY
01	SER0020.F	CLEAN WATER TANK	1
02	RAC0042	DRAIN CAP WATER TANK	1
03	MIN0017	O-RING	1
04	FIL0017	CLEAR WATER FILTRE	1
05	ASS0135	CLEAN WATER CAP	1
06	RAC0046	RACCORD 1/4" D=10	1
07	MIN0018	O-RING	1
08	BOC0087	WATER HOSE BUSH	1
09	RAC0044	NIPPLES M-M 1/4"	1
10	ELE0184	SOLENOID VALVE COMPL	1
11	RAC0045	"T" RACCORD	1
12	COM0061	SCREW CAP	2
13	VIT0041	SCREW	2
14	ROS0030	WASHER	2

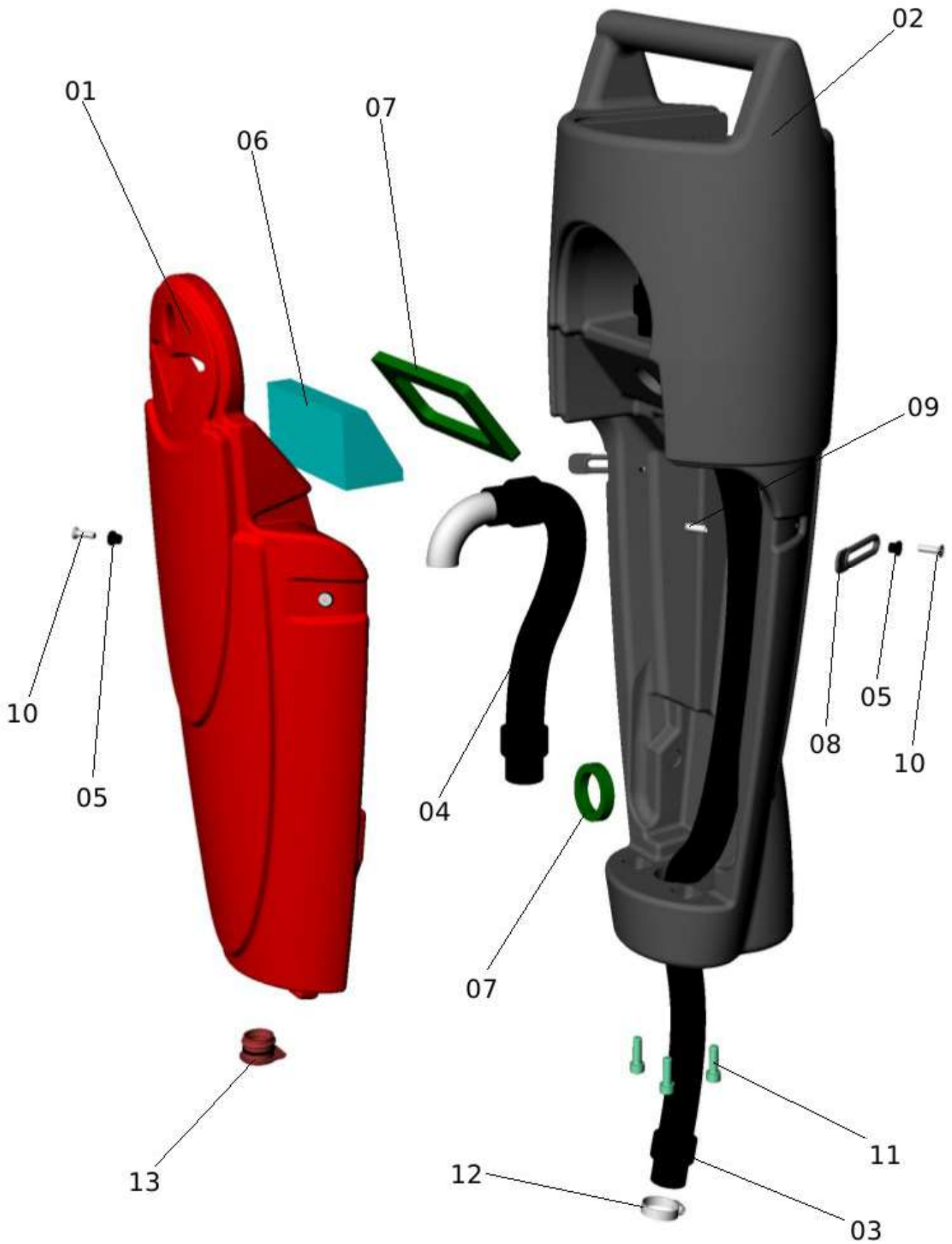


CODICE	DESCRIPTION	TAB
GRP0117	SQUEEGEE ASSEMBLY	1



**GRP00117 – SQG ASSEMBLY**

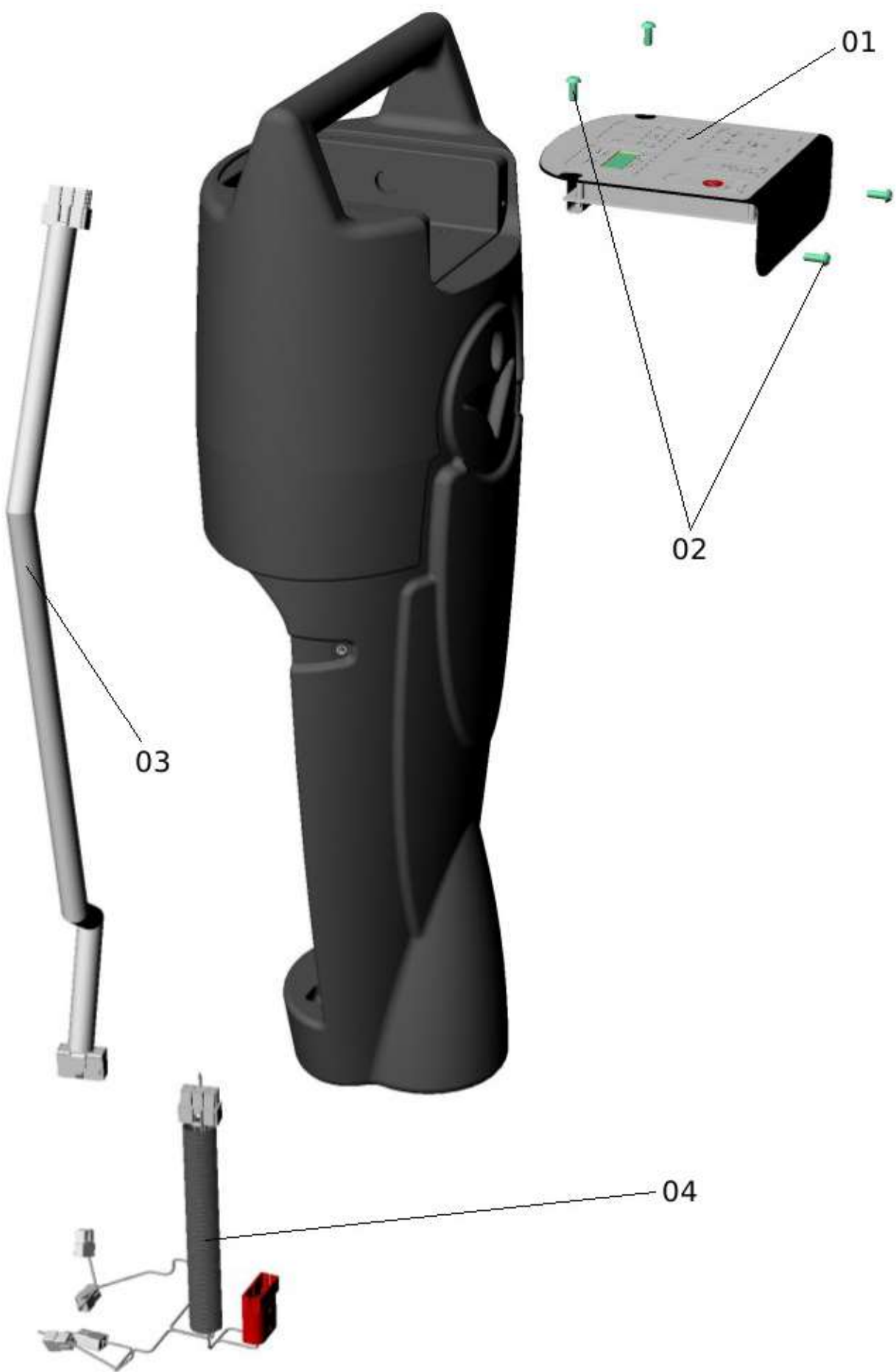
POS.	COD.	DESCRIPTION	QTY
01	LEV0195	SQUEEGEE SUPPORT LEVER	1
02	TUB0023	VACCUM HOSE	1
03	LEV0165-X	SQG CONNECTION PLATE	1
04	COM0069	KNOB MOD 1065/F M6	2
05	VIT0099	SCREW	2
06	ROT0026	SQUEEGE WHEEL MIRA	5
07	DAD0011	RING NUT	2
08	PIA0175-X	REAR SPRING BLADE SQG MIRA	1
09	VIT0098	SQUARE HEAD SCREW	2
10	RAS0017.11	REAR SQG BLADE IN POLIURETHAN	1
	RAS0017.15	REAR SQG BLADE LYNATEX MIRA	1
11	RAS0016.11	FRONT SQG BLADE POLIURETHAN	1
	RAS0016.15	FRONT SQG BLADE LYNATEX	1
12	KIT0055	KIT FRONT AND REAR SQG BLADE POLIU	1
	KIT0056	KIT FRONT AND REAR SQG BLADE LYNATEX	1
13	KIT0057-X	SQUEEGEE BODY MIRA	1
14	VIT0110	SCREW	2
15	ROT0026	SQUEEGE WHEEL MIRA	5
16	DAD0011	RING NUT	2
17	PIA0172-X	SQUEEGEE FRONT METAL BLADE	1
18	COM0067	KNOB SQG M6	2
19	VIT0019	SCREW	2
20	VIT0019	SCREW	2
21	BOC0091	BUSH 6x8x4,6	2



CODE	DESCRIPTION	TAB
GRP0118	HANDLE & RECOVERY ASSEMBLY	1

**GRP00118 – HANDLE & RECOVERY TANK**

<b>POS.</b>	<b>COD.</b>	<b>DESCRIPTION</b>	<b>QTY</b>
<b>01</b>	<b>SER0022.R</b>	RECOVERY TANK	<b>1</b>
<b>02</b>	<b>SER0021.F</b>	HANDLE	<b>1</b>
<b>03</b>	<b>TUB0022</b>	VACC HOSE	<b>1</b>
<b>04</b>	<b>KIT0060</b>	TUBE WITH CURVED	<b>1</b>
<b>05</b>	<b>BOC0085</b>	FIXXING KNOB	<b>4</b>
<b>06</b>	<b>FIL0018</b>	VACC FILTRE	<b>1</b>
<b>07</b>	<b>GUA0019</b>	GASKET KIT MIRA	<b>1</b>
<b>08</b>	<b>COM0065</b>	ELASTIC RUBBER COUPLING	<b>2</b>
<b>09</b>	<b>COM0077</b>	SPACER	<b>2</b>
<b>10</b>	<b>VIT0111</b>	SCREW	<b>4</b>
<b>11</b>	<b>VIT0105</b>	SCREW	<b>4</b>
<b>12</b>	<b>COM0029</b>	METAL CLAMP	<b>1</b>
<b>13</b>	<b>ASS0134</b>	RECOVERY TANK CAP	<b>1</b>



CODE	DESCRIPTION	TAB
GRP0119-X	MEMBRANE CONTROL GROUP	1

**GRP00119-X – MEMBRANE CONTROL GROUP**

<b>POS.</b>	<b>COD.</b>	<b>DESCRIPTION</b>	<b>QTY</b>
<b>01</b>	<b>GRP0120/R</b>	MEMBRANE CONTROL	<b>1</b>
<b>02</b>	<b>VIT0107</b>	SCREW	<b>4</b>
<b>03</b>	<b>CAB0035</b>	MAIN WIRING	<b>1</b>
<b>04</b>	<b>CAB0037</b>	ENGINE WIRING	<b>1</b>