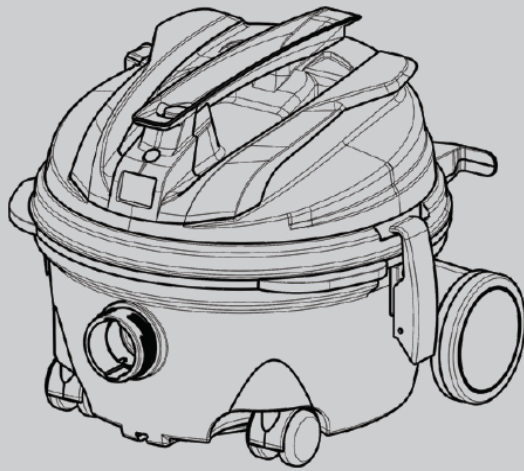




V-CAN-12

Canister Dry Vacuum Cleaner

Parts Manual



Model Part No.:

1244301 V-CAN-12 [120V NA]
1244303 V-CAN-12 [220-240V EU]
1244305 V-CAN-12 [220-240V UK]
1247852 V-CAN-12 [220-240V FR]
1244308 V-CAN-12 [220-240V ANZ]
1244306 V-CAN-12 [220-240V CN]
1244307 V-CAN-12 [100V JP]

TennantTrue® Parts

Global



To view, print or download the parts manual, visit:

www.tennantco.com/manuals

9018759
Rev. 01 (04-2019)

Only use TENNANT Company supplied or equivalent parts.
Parts and supplies may be ordered online, by phone or from any Tennant or Nobles
Authorized Service Center or Distributor.

Before Ordering any parts or supplies, be sure to have the machine model number and
serial number available.

Tennant Company

PO Box 1452
Minneapolis, MN 55440 USA
Phone: (800) 553-8033
www.tennantco.com

Tennant Company N.V.

Industrielaan 6 5405 AB
P.O. Box 6 5400 AA
Uden- The Netherlands
europa@tennantco.com
www.tennantco.com

**TENNANT Cleaning Systems &
Equipment (Shanghai) Co., Ltd**

Building 1, No. 3777 Caoying Road
Qingpu Shanghai, China 201712
Phone: 86 21 6922 5333
Fax: 86 21 69225151
www.tennant.co.cn

TENNANT Company Japan

9F Industry & Trade Center
2 Yamashita- cho, Naka- ku
Yokohama, Kanagawa 231- 0023
Japan
Phone: 81-45-640-5630
Fax: 81-45-640-5604
www.tennant.co.jp

Specifications and parts are subject to change without notice.
Copyright ©2019 TENNANT Company

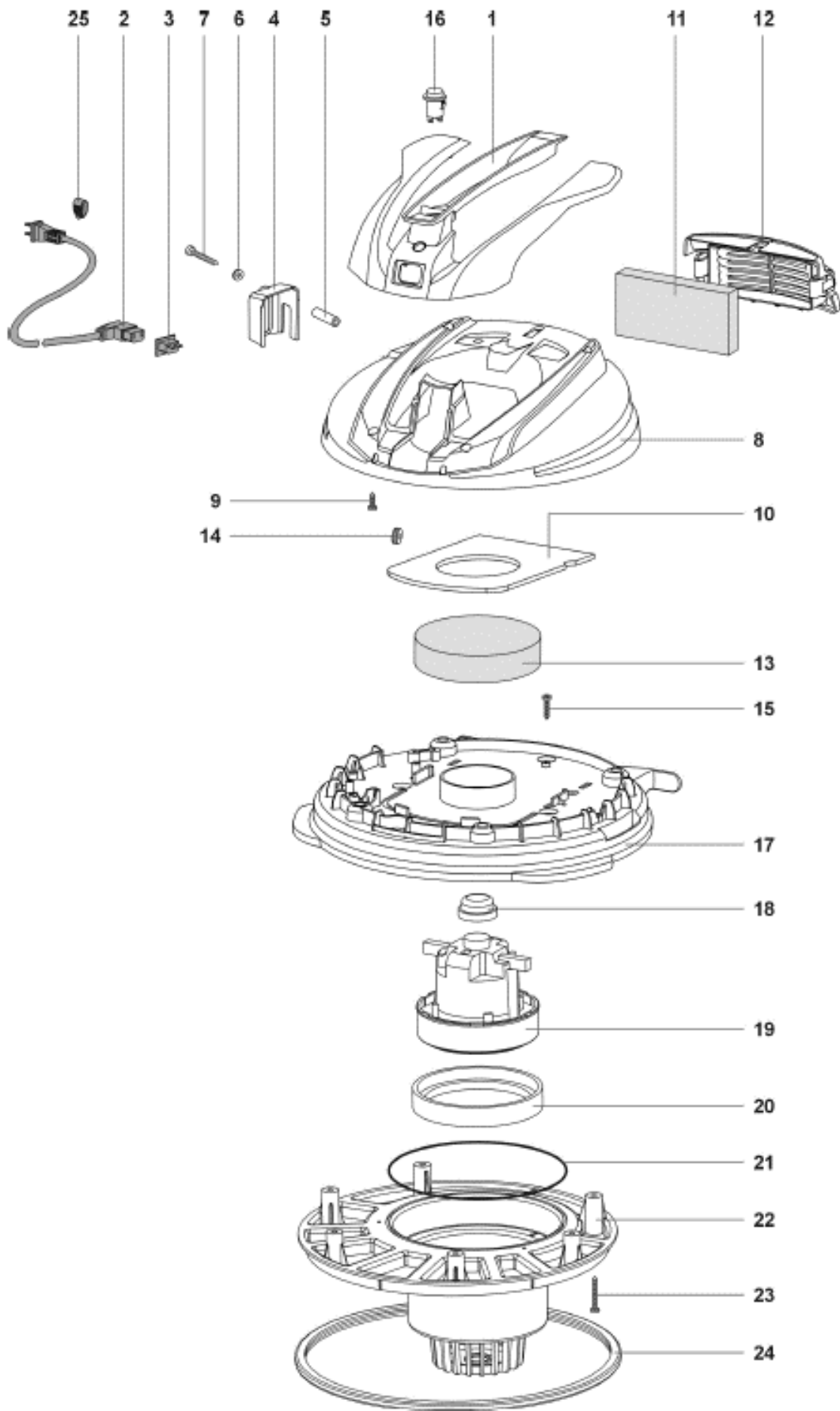
TABLE OF CONTENTS

HEAD ASSEMBLY (NA 120V MODEL)4
HEAD ASSEMBLY (EU/UK/ANZ 220-240V MODELS) 6
HEAD ASSEMBLY (CHINA 220-240V MODEL)8
HEAD ASSEMBLY (JAPAN 100V MODEL)10
TANK ASSEMBLY12
VACUUM BAGS & MAIN FILTER ASSEMBLY12
ACCESSORY TOOLS13
LABEL KIT13
ELECTRICAL DIAGRAM14

RECOMMENDED SPARE PARTS LIST

| VACUUM BAGS AND FILTERS | |
|----------------------------------|---|
| 9018690 | BAG, VACUUM, PAPER [1 PKG = 10 BAGS] |
| 9018692 | BAG, VACUUM, MICROFIBER [1 PKG=10 BAGS] |
| KTRIO5903 | FILTER, EXHAUST [STANDARD] |
| KTRIO5904 | FILTER, HEPA CARTRIDGE, EXHAUST [OPTIONAL] |
| KRTIO5902 | FILTER KIT, VACUUM, MAIN |
| KRTIO5919 | SUPPORT, FILTER BASKET |
| CLEANING TOOL ACCESSORIES | |
| KTRIO5905 | HOSE ASSY, VACUUM, 2.5M [32MM] |
| KTRIO5799 | WAND SET, CHROME, 2 PIECE [32MM] |
| KTRIO5906 | HANDLE, VACUUM HOSE W/ REG [32MM] |
| KTRIO5907 | TOOL, FLOOR, DRY, DOUBLE USE [32MM] |
| KTRIO5970 | TOOL, FLOOR, DRY, DOUBLE USE [32MM] (FRANCE ONLY) |
| KTRIO5942 | TOOL HOLDER - OPTIONAL |
| KTRIO5794 | TOOL KIT, VACUUM [32MM] |
| GENERAL MAINTENANCE PARTS | |
| KTRIO5834 | CASTER KIT, VACUUM [QTY 2] |
| KTRIO5795 | LATCH KIT, VACUUM [QTY 2] |
| KTRIO5908 | SWITCH, ON/OFF |
| KTRIO5909 | CORD, POWER, 120V [NA] |
| KTRIO5910 | CORD, POWER, 220-240V [EU] |
| KTRIO5911 | CORD, POWER, 220-240V [UK] |
| KTRIO5912 | CORD, POWER, 220-240V [ANZ] |
| KTRIO5797 | CORD KIT, POWER, 220-240V [CN] |
| KTRIO5796 | CORD KIT, POWER, 100V [JP] |
| KTRIO5913 | MOTOR KIT, VACUUM, 800W, 120V/60HZ [NA] |
| KTRIO5915 | MOTOR KIT, VACUUM, 800W, 220-240V |
| KTRIO5914 | MOTOR KIT, VACUUM, 800W, 100V [JP] |
| KTRIO5841 | GASKET KIT, MOTOR |
| KTRIO5916 | COVER, FILTER, EXHAUST [V-CAN-12/16 NA] |
| KTRIO5918 | COVER, FILTER, EXHAUST [V-CAN-12/16 EMEA/APAC] |

HEAD ASSEMBLY (NA 120V MODEL)



HEAD ASSEMBLY (NA 120V MODEL)

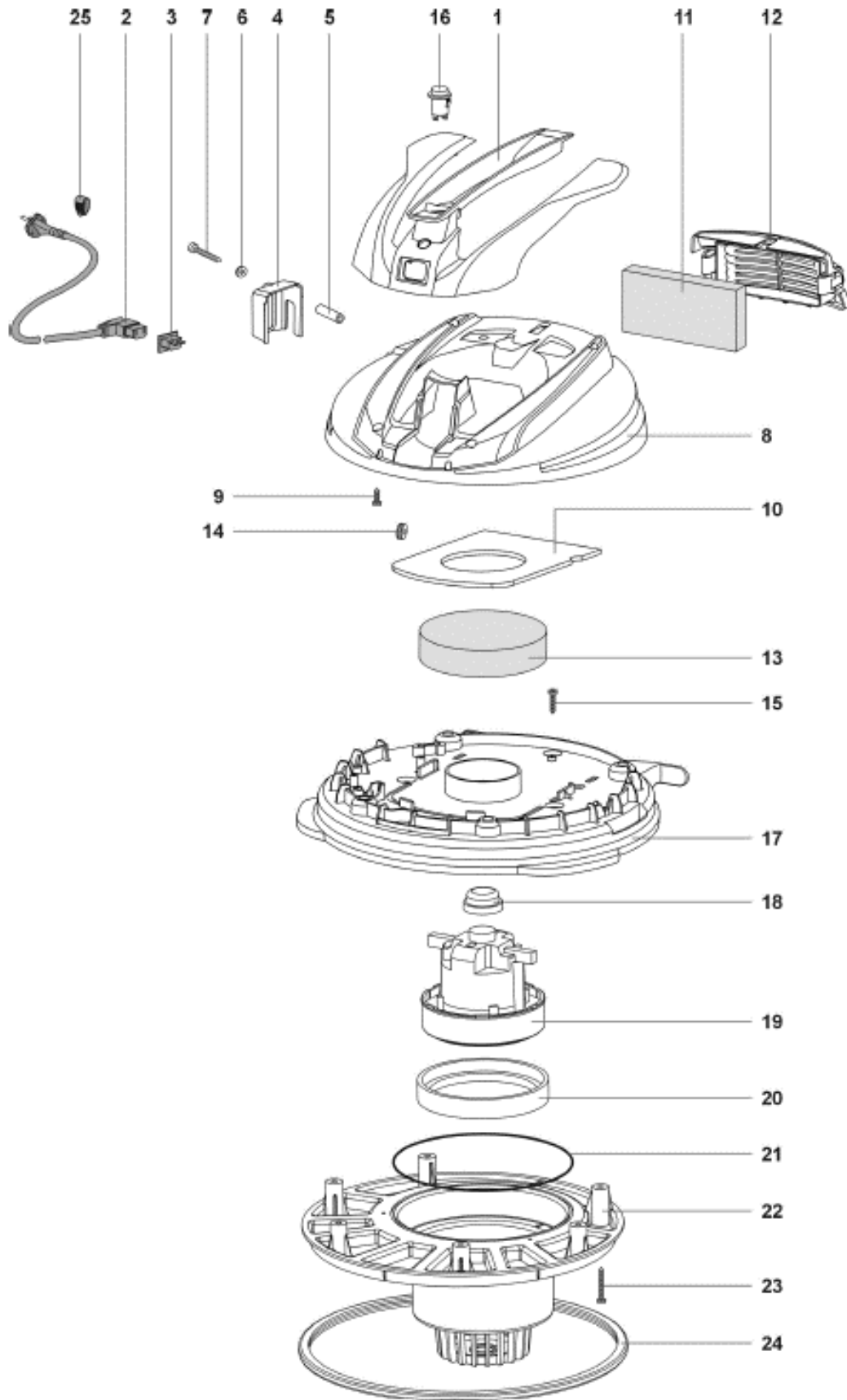
| | Code | Part No. | Description | QTY |
|-------|------|-----------|--|-----|
| ▽ | | KTRI05862 | HOUSING ASSY, POWER, HEAD, 120V [V-CAN-12] | 1 |
| ▲ ▽ | | KTRI05864 | COVER KIT, VACUUM [V-CAN-12] | 1 |
| ▲ ▲ | 1 | N/A | HANDLE TENNANT DRY GR55 | 1 |
| ▲ ▲ | 2 | KTRI05909 | CORD, POWER, 120V [NA] | 1 |
| ▲ ▲ | 3 | 99932858 | PLUG, MACH, 120V-230VAC | 1 |
| ▲ ▲ ▽ | | KTRI05789 | COVER KIT, CORD RETAINER [V-CAN] | 1 |
| ▲ ▲ ▲ | 4 | N/A | COVER BL.CAVO TENNANT DRY BLT A [V-CAN-12] | 1 |
| ▲ ▲ ▲ | 5 | N/A | SPACER BLOCCA CAVO [V-CAN-12] | 1 |
| ▲ ▲ ▲ | 6 | N/A | WASHER M 6 UNI 6592 | 1 |
| ▲ ▲ ▲ | 7 | 1021643 | SCREW PAT TMT PHL 5X50 | 1 |
| ▲ ▲ | 8 | N/A | COVER TENNANT DRY BLU TEN AU [V-CAN-12] | 1 |
| ▲ ▲ | 9 | 1021706 | SCREW PAT TMT PHL 5X14 ZN BLACK | 5 |
| ▲ ▲ | 10 | N/A | GASKET ADESIVA COP. TEN DRY PE | 1 |
| ▲ ▲ | 11 | KTRI05903 | FILTER, EXHAUST | 1 |
| ▲ ▲ | 12 | KTRI05916 | COVER, FILTER, EXHAUST [V-CAN-12/16 NA] | 1 |
| ▲ ▲ | 14 | N/A | GUIDING SLIT W/LEO MEMBRANE | 1 |
| ▲ ▲ | 16 | KTRI05908 | SWITCH | 1 |
| ▲ ▲ | N/S | 1059271 | WIRING 43CM MOTOR | 1 |
| ▲ ▲ | N/S | N/A | WIRING LEO | 1 |
| ▲ | 13 | KTRI05931 | FILTER, FOAM | 1 |
| ▲ | 15 | 1021628 | SCREW PFU TMT PHL 5X20 BLACK | 3 |
| ▲ | 17 | N/A | MOTOR FASTENER YVO DRY GR.55 AU | 1 |
| ▲ ▽ | | KTRI05841 | GASKET KIT, MOTOR | 1 |
| ▲ ▲ | 18 | N/A | MOT.FASTENER GUM G.EPDM30 D42X20 | 1 |
| ▲ ▲ | 20 | N/A | GASKET A L D.130 H=13 | 1 |
| ▲ ▲ | 21 | N/A | O-RING GOMMA SPUGNA D.4 D.190 | 1 |
| ▲ | 19 | KTRI05913 | MOTOR, 800W 120VAC 60HZ | 1 |
| ▲ | 22 | N/A | LEO BASE | 1 |
| ▲ | 23 | 1021640 | SCREW PAT TMT PHL 5X30 BLACK | 6 |
| ▲ | 24 | KTRI05932 | GASKET, HEAD ASSEMBLY | 1 |
| ▲ | 25 | N/A | CLIP BIG FIXING CABL ELE | 1 |

▽ KIT

▲ INCLUDED IN KIT

N/A = NOT AVAILABLE SEPARATELY - MUST ORDER KIT

HEAD ASSEMBLY (EU/UK/ANZ 220-240V MODELS)



HEAD ASSEMBLY (EU/UK/ANZ 220-240V MODELS)

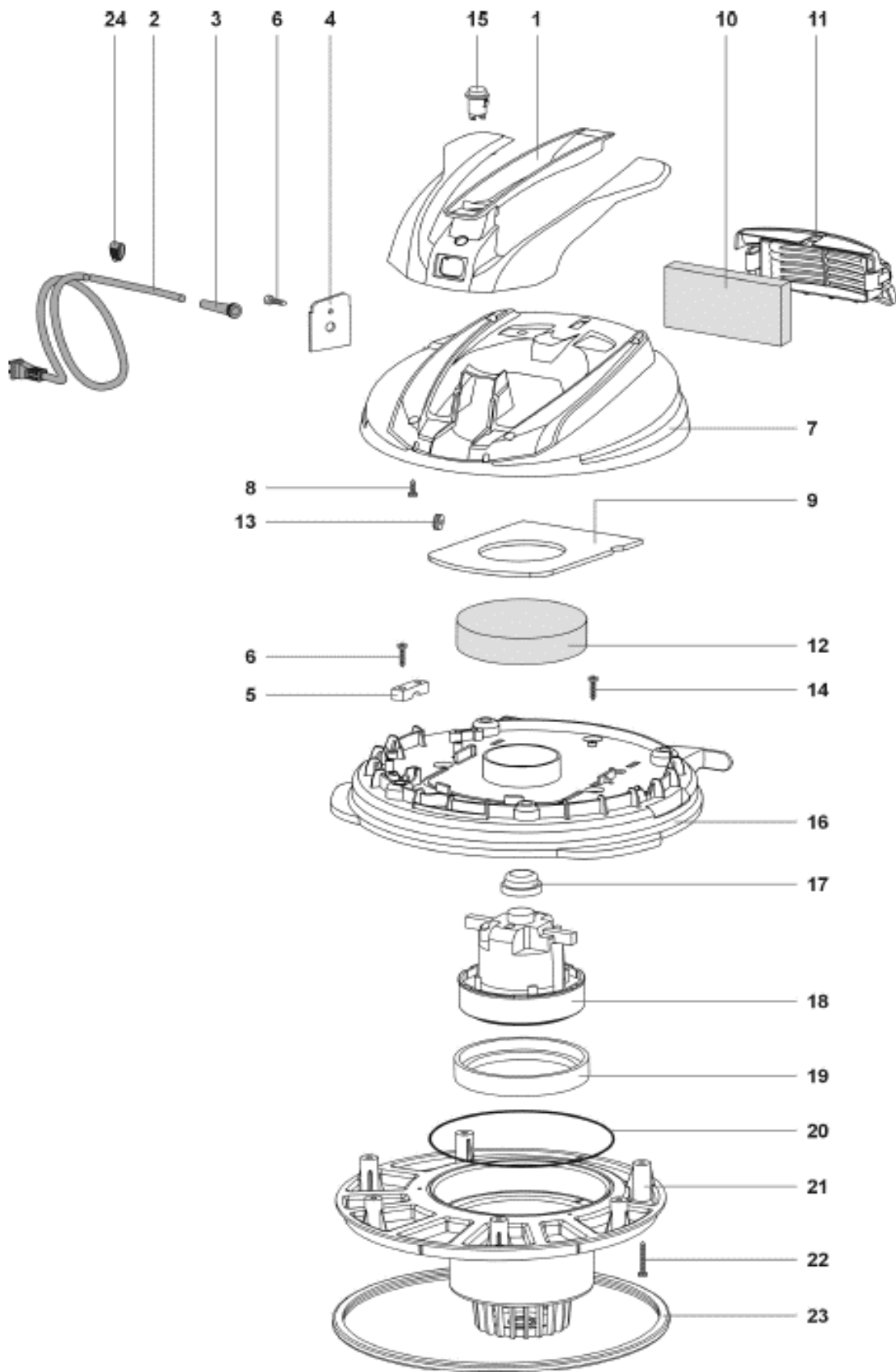
| Code | Part No. | Description | QTY |
|-------|--------------|--|-----|
| ▽ | KTRI05838 | HOUSING ASSY, POWER, HEAD [V-CAN-12 EU UK ANZ] | 1 |
| ▲ ▽ | KTRI05844 | COVER KIT, VACUUM [V-CAN-12 EU UK ANZ] | 1 |
| ▲ ▲ | 1 N/A | HANDLE TENNANT DRY GR55 | 1 |
| | 2 KTRI05910 | CORD, POWER, 220-240V [EU] | 1 |
| | 2 KTRI05911 | CORD, POWER, 220-240V [UK] | 1 |
| | 2 KTRI05912 | CORD, POWER, 220-240V [ANZ] | 1 |
| ▲ ▲ | 3 99932858 | PLUG, MACH, 120V-230VAC | 1 |
| ▲ ▲ ▽ | KTRI05788 | COVER KIT, CORD RETAINER | 1 |
| ▲ ▲ ▲ | 4 N/A | COVER BL.CAVO TENNANT DRY BLU T | 1 |
| ▲ ▲ ▲ | 5 N/A | SPACER PLASTIC D.10 D.6,3X21 | 1 |
| ▲ ▲ ▲ | 6 N/A | G206 | 1 |
| ▲ ▲ ▲ | 7 1021643 | SCREW PAT TMT PHL 5X50 | 1 |
| ▲ ▲ | 8 N/A | COVER TENNANT DRY BLU TEN | 1 |
| ▲ ▲ | 9 1021706 | SCREW PAT TMT PHL 5X14 ZN BLACK | 5 |
| ▲ ▲ | 10 N/A | GASKET ADESIVA COP. TEN DRY PE | 1 |
| ▲ ▲ | 11 KTRI05903 | FILTER, EXHAUST | 1 |
| ▲ ▲ | 12 KTRI05918 | COVER, FILTER, EXHAUST [V-CAN-12/16 EMEA/APAC] | 1 |
| ▲ ▲ | 14 N/A | GUIDING SLIT W/LEO MEMBRANE | 1 |
| ▲ ▲ | 16 KTRI05908 | SWITCH | 1 |
| ▲ ▲ | N/S 1059271 | WIRING 43CM MOTOR | 1 |
| ▲ ▲ | N/S N/A | WIRING LEO | 1 |
| ▲ | 13 KTRI05931 | FILTER, FOAM | 1 |
| ▲ | 15 1021628 | SCREW PFU TMT PHL 5X20 BLACK | 3 |
| ▲ | 17 N/A | MOTOR FASTENER YVO DRY GR.55 | 1 |
| ▲ ▽ | KTRI05841 | GASKET KIT, MOTOR | 1 |
| ▲ ▲ | 18 N/A | MOT.FASTENER GUM G.EPDM30 D42X20 | 1 |
| ▲ ▲ | 20 N/A | GASKET A L D.130 H=13 | 1 |
| ▲ ▲ | 21 N/A | O-RING GOMMA SPUGNA D.4 D.190 | 1 |
| ▲ | 19 KTRI05915 | MOTOR, 800W 220-240V [V-CAN-12] | 1 |
| ▲ | 22 N/A | LEO BASE | 1 |
| ▲ | 23 1021640 | SCREW PAT TMT PHL 5X30 BLACK | 6 |
| ▲ | 24 KTRI05932 | GASKET, HEAD ASSEMBLY | 1 |
| ▲ | 25 N/A | CLIP BIG FIXING CABL ELE | 1 |

▽ KIT

▲ INCLUDED IN KIT

N/A = NOT AVAILABLE SEPARATELY - MUST ORDER KIT

HEAD ASSEMBLY (CHINA 220-240V MODEL)



HEAD ASSEMBLY (CHINA 220-240V MODEL)

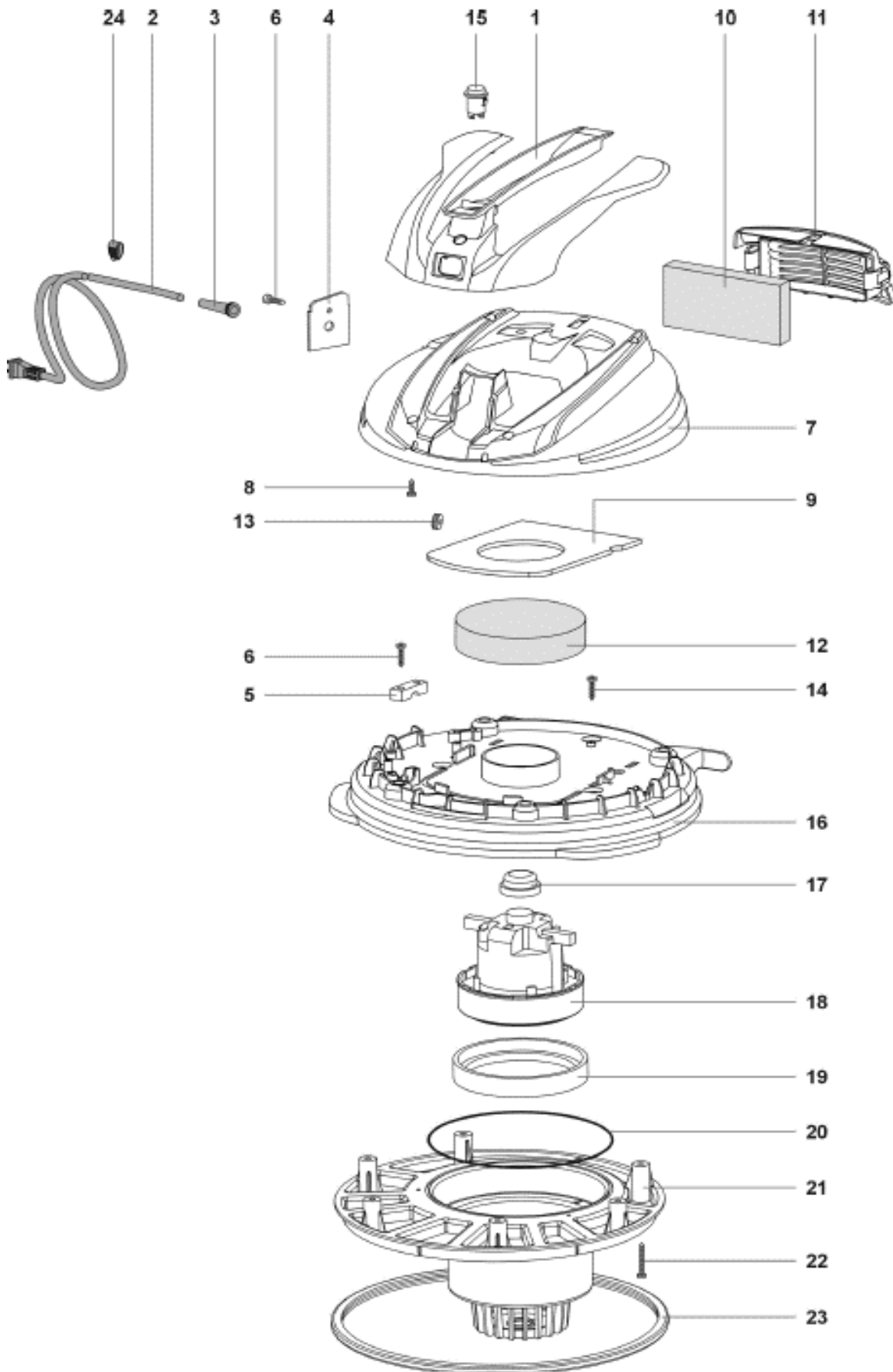
| Code | Part No. | Description | QTY |
|----------|-----------|--|-----|
| ▽ | KTRIO5867 | HOUSING ASSY, POWER, HEAD [V-CAN-12 CN] | 1 |
| ▲ ▽ | KTRIO5869 | COVER KIT, VACUUM [V-CAN-12 CN] | 1 |
| ▲ ▲ 1 | N/A | HANDLE TENNANT DRY GR55 | 1 |
| ▲ ▲ ▽ | KTRIO5797 | CORD, POWER, 220-240V [CN] | 1 |
| ▲ ▲ ▲ 2 | N/A | CABLE ELECTTRICO 2X0,75 MT.8,5 F [CN] | 1 |
| ▲ ▲ ▲ 3 | 1021625 | LEAD | 1 |
| ▲ ▲ ▲ 4 | N/A | COVER BL.CAVO TENNANT DRY BLU T | 1 |
| ▲ ▲ ▲ 5 | 1021626 | CABLE CLAMP | 1 |
| ▲ ▲ ▲ 6 | 1021628 | SCREW PFU TMT PHL 5X20 BLACK | 3 |
| ▲ ▲ ▲ 24 | N/A | CLIP BIG FIXING CABL ELE | 1 |
| ▲ ▲ 7 | N/A | COVER TENNANT DRY BLU TEN | 1 |
| ▲ ▲ 8 | 1021706 | SCREW PAT TMT PHL 5X14 ZN BLACK | 5 |
| ▲ ▲ 9 | N/A | GASKET ADESIVA COP. TEN DRY PE | 1 |
| ▲ ▲ 10 | KTRIO5903 | FILTER, EXHAUST, FOAM | 1 |
| ▲ ▲ 11 | KTRIO5918 | COVER, FILTER, EXHAUST [V-CAN-12/16 EMEA/APAC] | 1 |
| ▲ ▲ 13 | N/A | GUIDING SLIT W/LEO MEMBRANE | 1 |
| ▲ ▲ 15 | KTRIO5908 | SWITCH | 1 |
| ▲ ▲ | N/A | WIRING 43CM MOTOR [CN] | 1 |
| ▲ ▲ N/S | N/A | WIRING LEO | 1 |
| ▲ 12 | KTRIO5931 | FILTER, FOAM | 1 |
| ▲ 14 | 1021628 | SCREW PFU TMT PHL 5X20 BLACK | 3 |
| ▲ 16 | N/A | MOTOR FASTENER YVO DRY GR.55 | 1 |
| ▲ ▽ | KTRIO5841 | GASKET KIT, MOTOR | 1 |
| ▲ ▲ 17 | N/A | MOT. FASTENER GUM G.EPDM30 D42X20 | 1 |
| ▲ ▲ 19 | N/A | GASKET, MOTOR | 1 |
| ▲ ▲ 20 | N/A | O-RING GOMMA SPUGNA D.4 D.190 | 1 |
| ▲ 18 | KTRIO5915 | MOTOR, 800W 220-240VAC [V-CAN-12] | 1 |
| ▲ 21 | N/A | LEO BASE | 1 |
| ▲ 22 | 1021640 | SCREW PAT TMT PHL 5X30 BLACK | 6 |
| ▲ 23 | KTRIO5932 | GASKET, HEADY ASSEMBLY | 1 |

▽ KIT

▲ INCLUDED IN KIT

N/A = NOT AVAILABLE SEPARATELY - MUST ORDER KIT

HEAD ASSEMBLY (JAPAN 100V MODEL)



HEAD ASSEMBLY (JAPAN 100V MODEL)

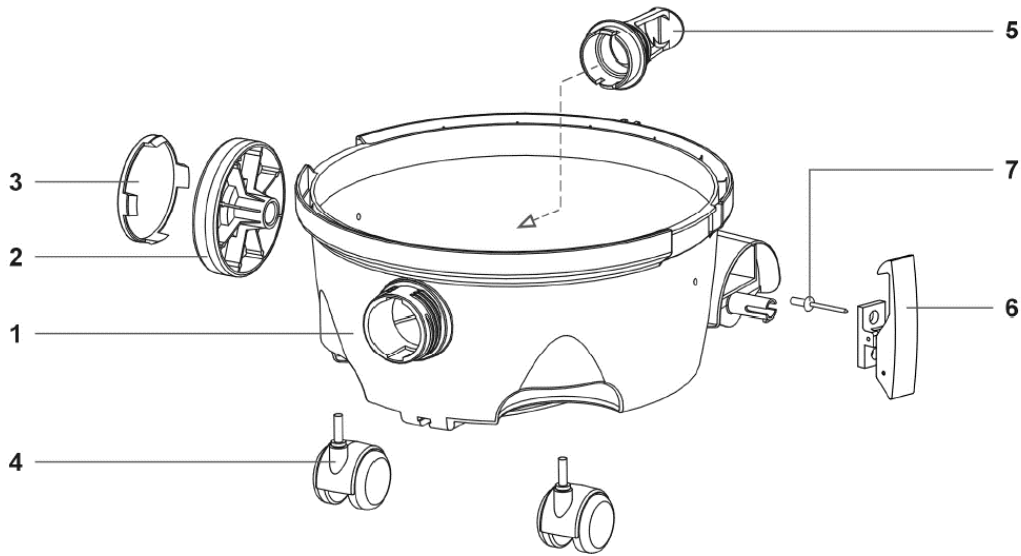
| | Code | Part No. | Description | QTY |
|-------|------|-----------|--|-----|
| ▽ | | KTRIO5866 | HOUSING ASSY, POWER, HEAD [V-CAN-12 JP] | 1 |
| ▲ ▽ | | KTRIO5868 | COVER KIT, VACUUM [V-CAN-12 JP] | 1 |
| ▲ ▲ | 1 | N/A | HANDLE TENNANT DRY GR55 | 1 |
| ▲ ▲ ▽ | | KTRIO5796 | CORD, POWER, 100V [JP] | 1 |
| ▲ ▲ ▲ | 2 | N/A | CABLE E.2X1 MT12 GI IEC320 [JP] | 1 |
| ▲ ▲ ▲ | 3 | 1021625 | LEAD | 1 |
| ▲ ▲ ▲ | 4 | N/A | COVER BL.CAVO TENNANT DRY BLU T | 1 |
| ▲ ▲ ▲ | 5 | 1021626 | CABLE CLAMP | 1 |
| ▲ ▲ ▲ | 6 | 1021628 | SCREW PFU TMT PHL 5X20 BLACK | 3 |
| ▲ ▲ ▲ | 24 | N/A | CLIP BIG FIXING CABL ELE | 1 |
| ▲ ▲ | 7 | N/A | COVER TENNANT DRY BLU TEN | 1 |
| ▲ ▲ | 8 | 1021706 | SCREW PAT TMT PHL 5X14 ZN BLACK | 5 |
| ▲ ▲ | 9 | N/A | GASKET ADESIVA COP. TEN DRY PE | 1 |
| ▲ ▲ | 10 | KTRIO5903 | FILTER, EXHAUST, FOAM | 1 |
| ▲ ▲ | 11 | KTRIO5918 | COVER, FILTER, EXHAUST [V-CAN-12/16 EMEA/APAC] | 1 |
| ▲ ▲ | 13 | N/A | GUIDING SLIT W/LEO MEMBRANE | 1 |
| ▲ ▲ | 15 | KTRIO5908 | SWITCH | 1 |
| ▲ ▲ | CN | N/A | WIRING 43CM MOTOR [CN] | 1 |
| ▲ ▲ | N/S | N/A | WIRING LEO | 1 |
| ▲ | 12 | KTRIO5931 | FILTER, FOAM | 1 |
| ▲ | 14 | 1021628 | SCREW PFU TMT PHL 5X20 BLACK | 3 |
| ▲ | 16 | N/A | MOTOR FASTENER YVO DRY GR.55 | 1 |
| ▲ ▽ | | KTRIO5841 | GASKET KIT, MOTOR | 1 |
| ▲ ▲ | 17 | N/A | MOT.FASTENER GUM G.EPDM30 D42X20 | 1 |
| ▲ ▲ | 19 | N/A | GASKET, MOTOR | 1 |
| ▲ ▲ | 20 | N/A | O-RING GOMMA SPUGNA D.4 D.190 | 1 |
| ▲ | 18 | KTRIO5914 | MOTOR, 800W 100VAC 50/60HZ [JP] | 1 |
| ▲ | 21 | N/A | LEO BASE | 1 |
| ▲ | 22 | 1021640 | SCREW PAT TMT PHL 5X30 BLACK | 6 |
| ▲ | 23 | KTRIO5932 | GASKET, HEADY ASSEMBLY | 1 |

▽ KIT

▲ INCLUDED IN KIT

N/A = NOT AVAILABLE SEPARATELY - MUST ORDER KIT

TANK ASSEMBLY



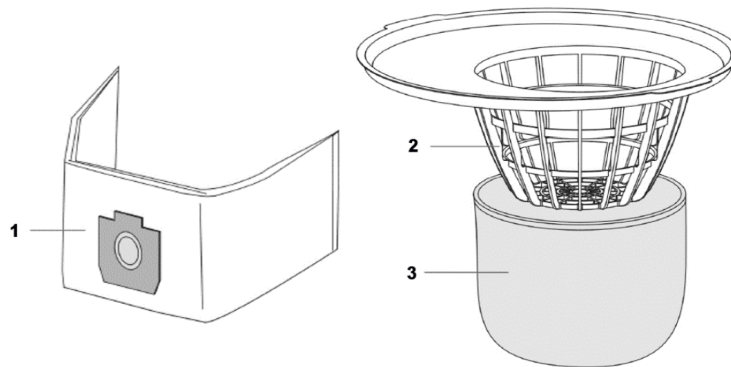
| Code | Part no. | Description | QTY |
|-------|-----------|---|-----|
| ▽ | KTRI05835 | TANK KIT, VACUUM w/ LABELS [V-CAN-12 EU/UK/ANZ/CN/JP] | 1 |
| ▽ | KTRI05836 | TANK KIT, VACUUM w/ LABELS [V-CAN-12 NA] | 1 |
| ▲ 1 | N/A | TANK, VACUUM | 1 |
| ▲ ▽ | KTRI05792 | WHEEL KIT [QTY 2] | 1 |
| ▲ ▲ 2 | N/A | WHEEL BODY RUBBERISED G55 | 2 |
| ▲ ▲ 3 | N/A | WHEEL COVERING BLACK | 2 |
| ▲ ▽ | KTRI05834 | CASTER KIT [QTY 2] | 1 |
| ▲ ▲ 4 | N/A | WHEEL D.50 GREY W/ PIVOT SOFT | 2 |
| ▲ 5 | N/A | DEFLECTOR W/OR | 1 |
| ▲ ▽ | KTRI05795 | LATCH KIT [QTY 2] | 1 |
| ▲ ▲ 6 | N/A | HOOK PLAST.COMPL. GI-VAC | 2 |
| ▲ ▲ 7 | N/A | RIVET 4,8X18 | 4 |

▽ KIT

▲ INCLUDED IN KIT

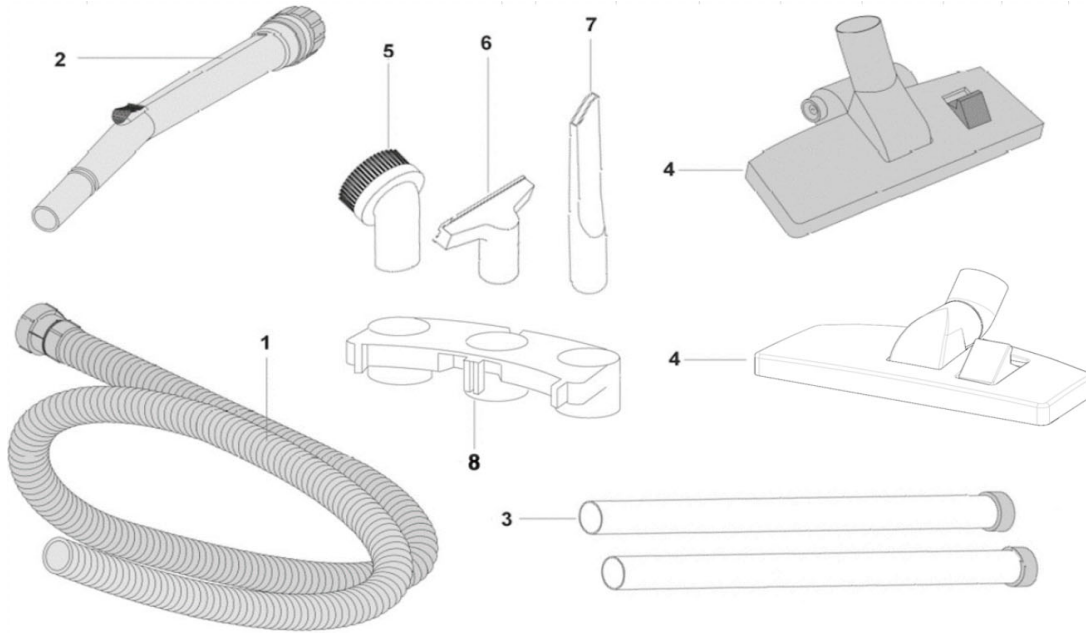
N/A = NOT AVAILABLE SEPARATELY - MUST ORDER KIT

VACUUM BAGS & MAIN FILTER ASSEMBLY



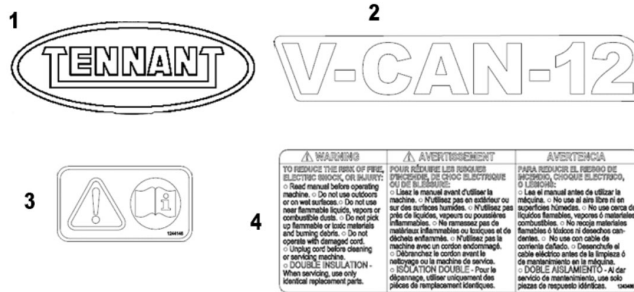
| Code | Part No. | Description | QTY |
|------|-----------|---|-----|
| 1 | 9018690 | BAG, VACUUM, PAPER [1 PKG = 10 BAGS] | 1 |
| 1 | 9018692 | BAG, VACUUM, MICROFIBER [1 PKG = 10 BAGS] | 1 |
| 2 | KTRI05919 | SUPPORT, FILTER BASKET | 1 |
| 3 | KTRI05902 | FILTER, POLYESTER, MAIN | 1 |

ACCESSORY TOOLS



| Code | Part No. | Description | QTY |
|------|-----------|---|-----|
| | 1 | KTRI05905 HOSE ASSY, VACUUM, 2.5M, 32MM | 1 |
| | 2 | KTRI05906 HANDLE, VACUUM HOSE W/ REG, 32MM | 1 |
| | 3 | KTRI05786 WAND SET, CHROME, TWO-PIECE, 32MM | 2 |
| | 4 | KTRI05907 TOOL, FLOOR, DRY, DOUBLE USE [32MM] | 1 |
| | 4 | KTRI05970 TOOL, FLOOR, DRY, DOUBLE USE [32MM] (FRANCE ONLY) | 1 |
| ▽ | KTRI05794 | TOOL KIT, VACUUM, 32MM | 1 |
| ▲ | 5 | N/A TOOL, ROUND BRUSH, 32MM | 1 |
| ▲ | 6 | N/A TOOL, FURNITURE, 32MM | 1 |
| ▲ | 7 | N/A TOOL, CREVICE, 32MM | 1 |
| | 8 | KTRI05942 HOLDER, TOOL [OPTIONAL] | 1 |

LABEL KIT



| Code | Part No. | Description | QTY |
|------|-----------|---|-----|
| ▽ | KTRI05831 | LABEL KIT, VACUUM [V-CAN-12, EMEA/APAC] | 1 |
| ▲ | 1 | N/A LABEL, LOGO, TENNANT | 1 |
| ▲ | 2 | N/A LABEL, MODEL [V-CAN-12] | 2 |
| ▲ | 3 | N/A LABEL, SAFETY, READ MANUAL [CE] | 1 |
| ▽ | KTRI05832 | LABEL KIT, VACUUM [V-CAN-12 NA] | 1 |
| ▲ | 1 | N/A LABEL, LOGO, TENNANT | 1 |
| ▲ | 2 | N/A LABEL, MODEL [V-CAN-12] | 2 |
| ▲ | 4 | N/A LABEL, WARNING, EN/FR/ES [AC VAC] | 1 |

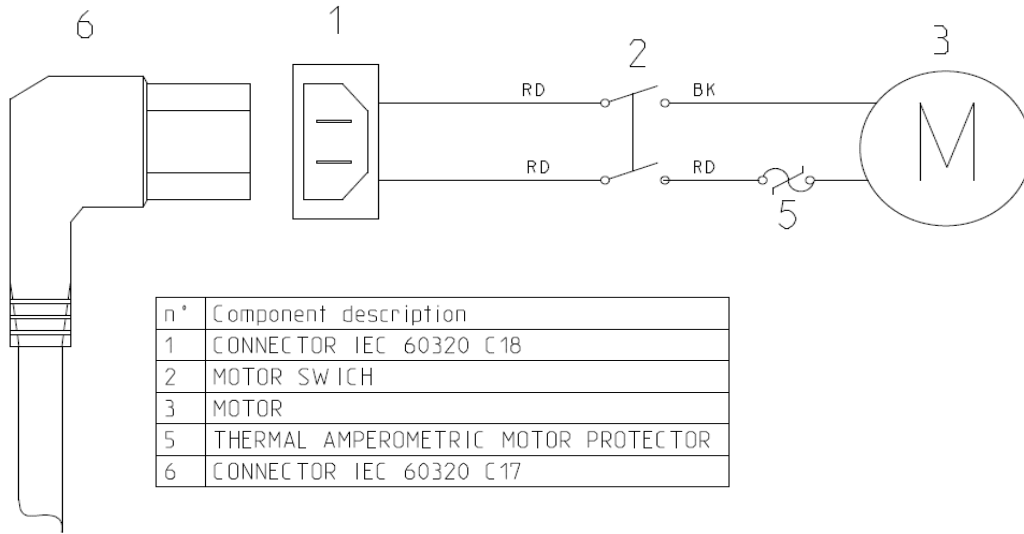
▽ KIT

▲ INCLUDED IN KIT

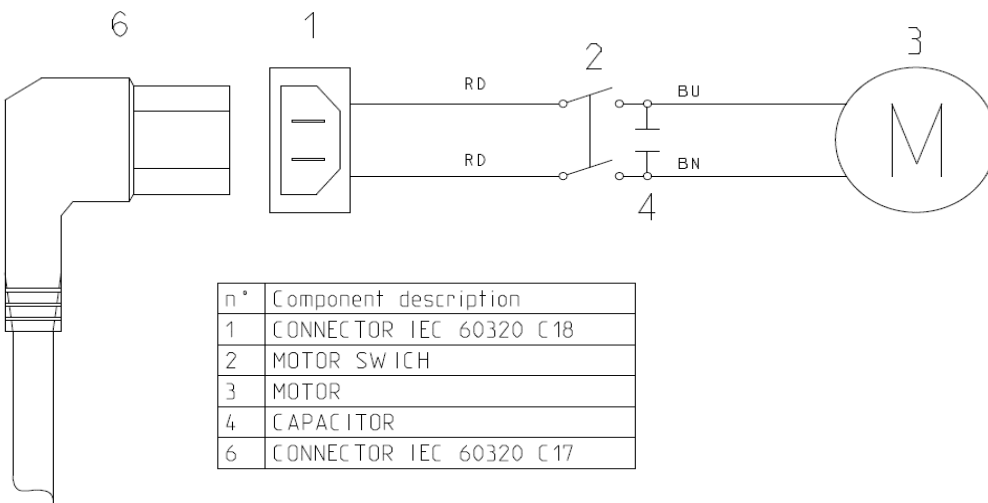
N/A = NOT AVAILABLE SEPARATELY - MUST ORDER KIT

ELECTRICAL DIAGRAMS

NA 120V MODEL



EU/UK/ANZ 220-240V MODELS



JAPAN/CHINA MODELS

