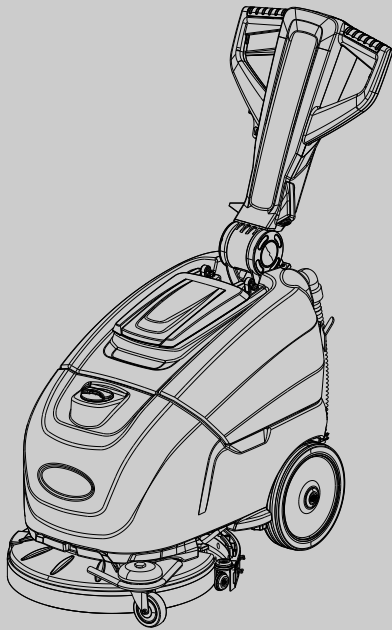




T191

Battery Floor Scrubber

Parts Manual



Model Part No.:
9021374 - SCRUBBER [T191 45CM BR, BATTERY, EMEA]

TennantTrue® Parts

Europe



To view, print or download
Tennant manuals, visit:

www.tennantco.com/manuals

9021581
Rev. 01 (02-2022)

Only use TENNANT Company supplied or equivalent parts. Parts and supplies may be ordered online, by phone or from any Tennant Authorized Service Center or Distributor.

Before Ordering any parts or supplies, be sure to have the machine model number and serial number available.

Serial Number Location

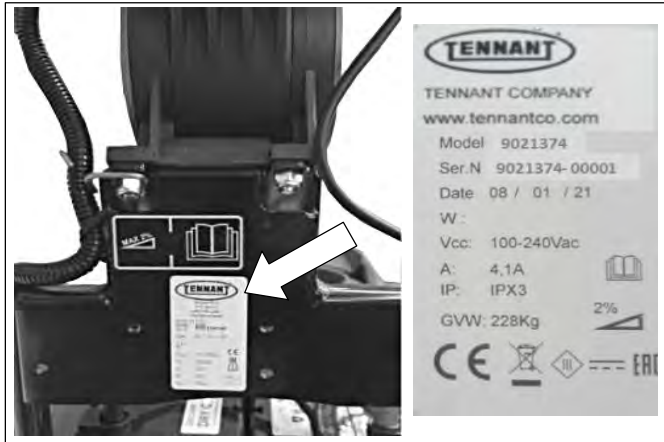


TABLE OF CONTENTS

RECOMMENDED SPARE PARTS LIST	3
BRUSHES / PAD DRIVER AND PADS	3
TANK COMPONENTS GROUP	4
SCRUB HEAD & SQUEEGEE GROUP	6
HANDLE & FRAME GROUP	8
ELECTRICAL DIAGRAM	10

Tennant Company N.V.

Industrielaan 6 5405 AB
P.O. Box 6 5400 AA
Uden- The Netherlands

europa@tennantco.com

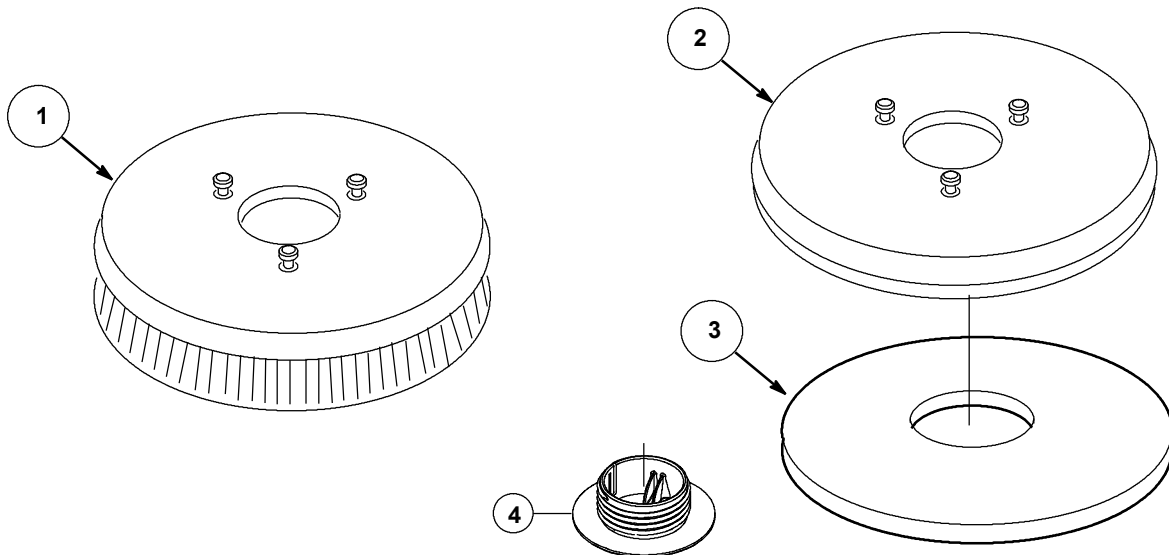
Specifications and parts are subject to change without notice.

Copyright © 2021 TENNANT Company

RECOMMENDED SPARE PARTS LIST

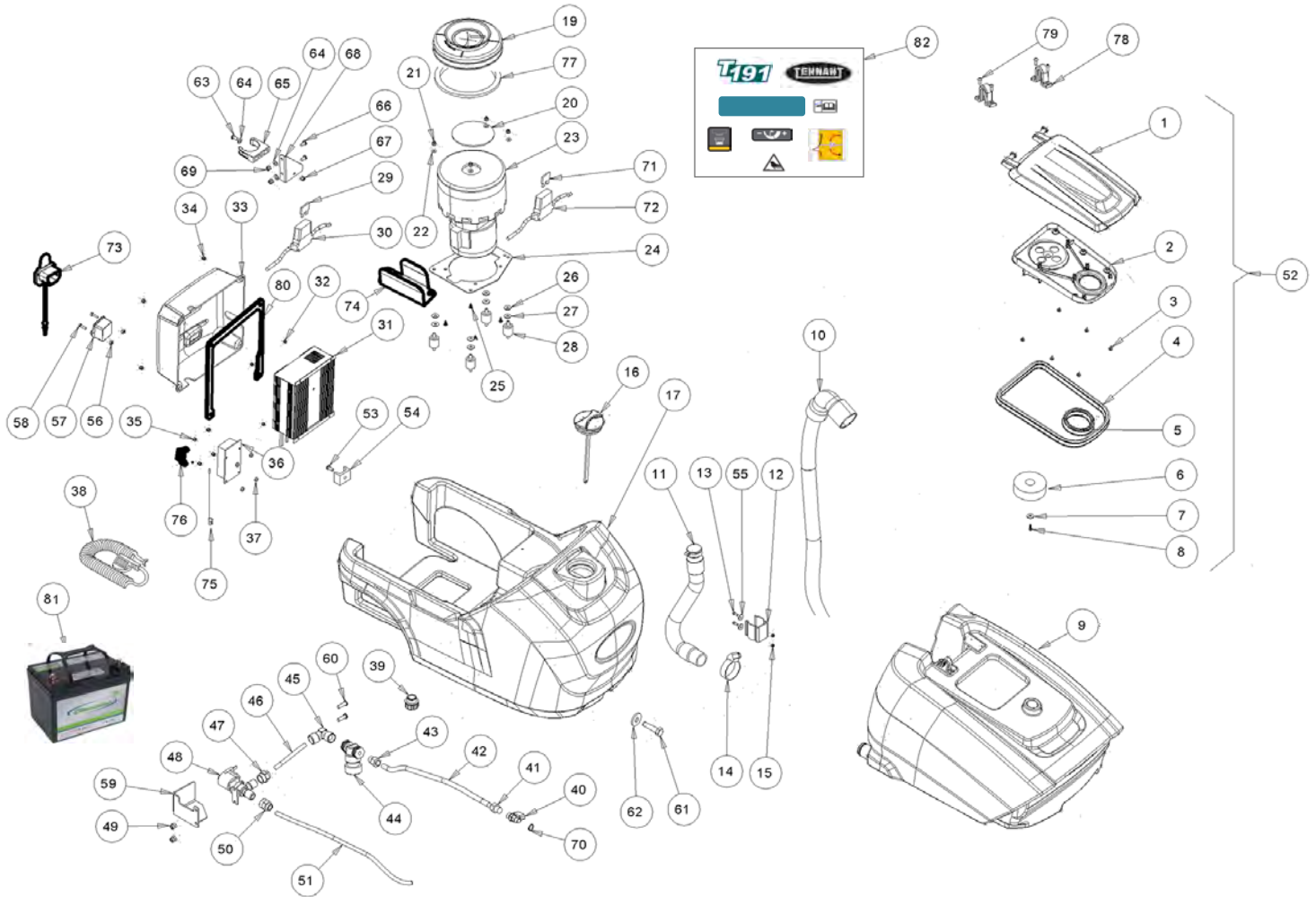
Part Number	Description
SPPV02665	BRUSH ASSY, DISK, SCB, 45 CM, PYP (STD)
SPPV02669	BRUSH ASSY, DISK, SCB, 45CM,MIX FBR,SOFT
SPPV02671	DRIVER ASSY, PAD, 45 CM
995614	PAD, BUFF, 18.0D /457, RED [3M, 5PC]
995622	PAD, SCB, 18.0INCH /457 [3M BLU, 5PC]
995629	PAD, STRIPPING, 18.0/457, BROWN [3M, 5PC]
1215457	PAD, POLISH, 18.0D, PURPLE [5PC]
MPVR05953	BLADE, SQGE, FRONT, 660L, LATEX
MPVR05954	BLADE, SQGE, REAR, 715L, LATEX
KTRI02055	BLADE KIT, SQGE, PYU [T191]
MPVR06537	BLADE, SQGE, FRONT, 660L, LINATEX
MPVR06538	BLADE, SQGE, REAR, 715L, LINATEX
TBFX00350	HOSE ASSY, DRAIN
PMVR01983	VALVE, WATER, SOLENOID, 24VDC
9017721	CLIP, HOSE, RECVY
9017765	MOTOR, BRUSH, 24VDC
BAAC00189	BATTERY, AGM, 12V, 72AH(C5)
MECE00827	BOARD, POWER
897610	ASSY, CIRCUITBOARD
BACA00166	CHARGER, 24VDC/10Ah, 100-240VAC [ONBOARD]
MPVR05966	GUARD, SPLASH [T191]
MEVR02048	FUSE, 40A
9017842	HOSE ASSY, RECVY

BRUSHES / PAD DRIVER & PADS



Ref.	Part No.	Description	Quantity
0001	SPPV02665	BRUSH ASSY, DISK, SCB, 45CM, PYP [STANDARD]	1.00
0001	SPPV02669	BRUSH ASSY, DISK, SCB, 45CM, PYP, SOFT	1.00
0002	SPPV02671	DRIVER ASSY, PAD, 45CM	1.00
0003	995629	PAD, STRIP, 18.0/457, BROWN [3M, 5PC]	1.00
0003	995622	PAD, SCB, 18.0/457, BLU [3M, 5PC]	1.00
0003	995614	PAD, BUFF, 18.0/457, RED [3M, 5PC]	1.00
0003	1215457	PAD, POLISH, 18.0/457, PURPLE [5PC]	1.00
0004	MPVR04088	LOCK, CENTER, PAD DRIVER	1.00

TANK COMPONENTS GROUP

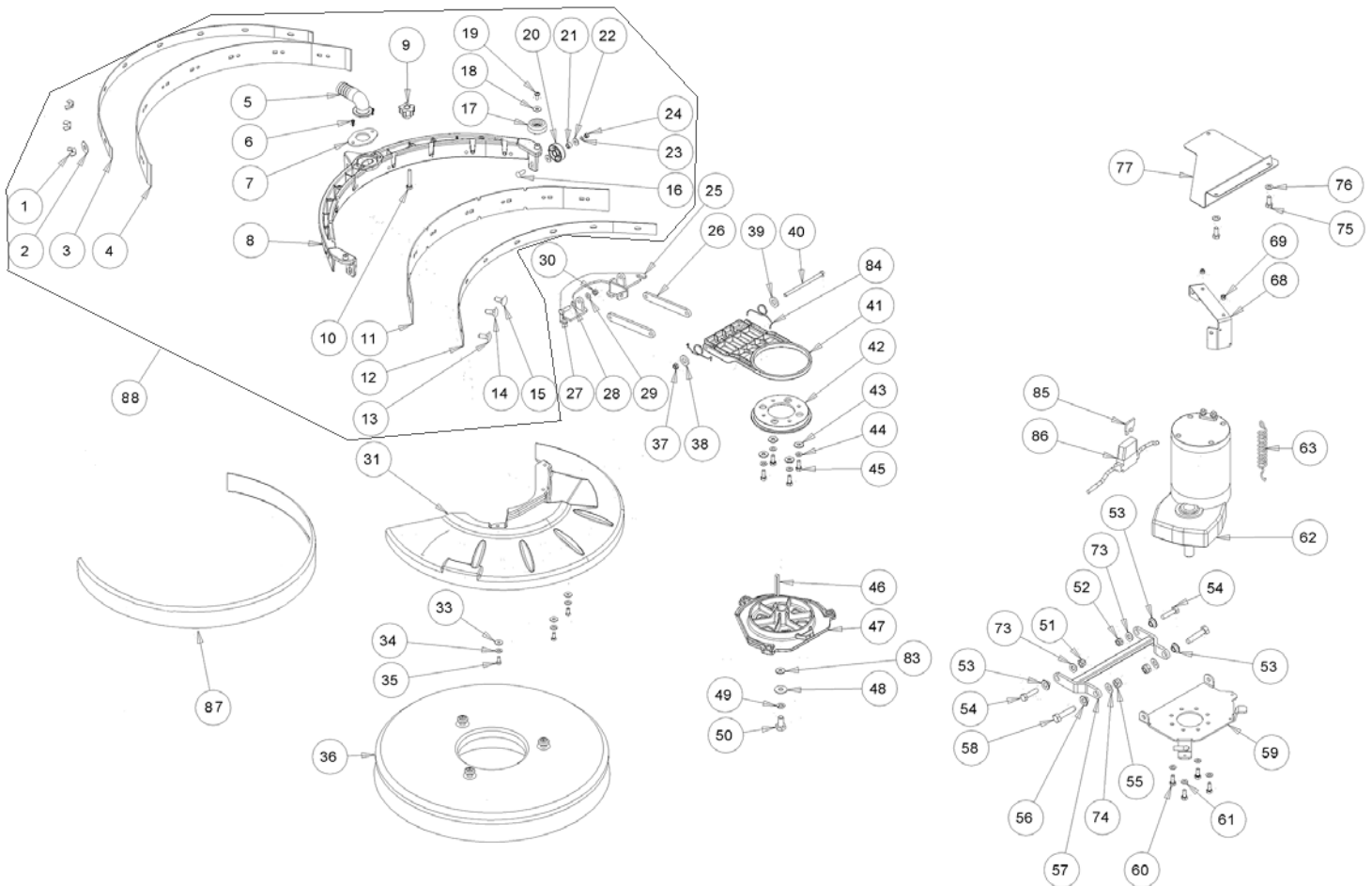


Ref.	Part N.	Description	Quantity
0001	897664	COVER	1,00
0002	897665	COVER, INNER, LID, TANK	1,00
0003	897574	SCREW SELF TAPPING 4.8X9.5 SUS	6,00
0004	9017840	SEAL, COVER, RECVY TANK	1,00
0005	897666	GASKET	1,00
0006	9017844	FLOAT, SHUTOFF	1,00
0007	897576	WASHER, M30X6X3	1,00
0008	VTVT48694	SCREW TCB TC 5 X12 UNI 9707 TZ	1,00
0009	MPVR13067	TANK RECOVERY T191	1,00
0010	9017842	HOSE ASSY, RECVY	1,00
0011	TBFX00350	TUBE HOSE DRAIN CT30	1,00
0012	9017721	CLIP, HOSE, RECVY	1,00
0013	604209	SCREW, M4X16	2,00
0014	FSVR00095	CLAMP 30-45	1,00
0015	VTDD04369	NUT M 4 TEF UNI 7473	2,00
0016	897570	TANK, SOLUTION, CAP	1,00
0017	MPVR13068	TANK SOLUTION T191	1,00
0019	GUGO00599	GASKET	1,00
0020	897649	FILTER, MOTOR, VACFAN, d78	1,00
0021	897497	NUT, M5, INOX	4,00
0022	897644	WASHER D. 5 INX GRW UNI 1751	4,00
0023	9017687	VR, BRUSH, MOTOR, VACFAN	2,00
0023	897566	MOTOR, VACUUM	1,00
0024	897567	PLATE	1,00
0025	VTVT48694	SCREW TCB TC 5 X12 UNI 9707 TZ	4,00
0026	897384	WASHER D. 5X14 INX	4,00
0027	897384	WASHER D. 5X14 INX	4,00
0028	897569	VIBRATION, DAMP	4,00
0029	MEVR02048	FUSE 40A	1,00
0030	MECB01286	WIRING FUSE HOLDER BATTERY	1,00
0031	BACA00166	CHARGER, BATTERY, 24V/10A	1,00
0032	VTDD00001	NUT UNI 5588 M3 ZB	4,00
0033	MPVR06234	COVER	1,00
0034	VTDD04368	NUT, M4, ZIN, UNI5588	4,00
0035	VTDD04368	NUT, M4, ZIN, UNI5588	4,00
0036	MECE00827	BOARD, POWER	1,00
0037	VTRS00501	WASHER D. 4 0.232 UNI 6592	4,00
0038	MECB00922	CORD, POWER, CHRGR, 230VAC	1,00
0039	897176	CAP 1/2"	1,00
0040	RCGR00081	VALVE	1,00

TANK COMPONENTS GROUP

Ref.	Part No.	Description	Quantity
0041	RCVR00770	CONNECTOR 1/8	1,00
0042	TBBP00481	HOSE PUR-ELASTOLAN 98Sh 10x8	0,32
0043	RCVR00789	CONNECTOR -	1,00
0044	9018511	FILTER COMPLETE	1,00
0045	RCVR00773	CONNECTOR 1/4	1,00
0046	TBBP00481	HOSE PUR-ELASTOLAN 98Sh 10x8	0,20
0047	RCVR00772	CONNECTOR 1/4	1,00
0048	PMVR01983	VALVE, WATER, SOLENOID, 24VDC	1,00
0049	897276	NUT M 4 ATB A2	2,00
0050	RCVR00772	CONNECTOR 1/4	1,00
0051	TBBP00481	HOSE PUR-ELASTOLAN 98Sh 10x8	0,48
0052	KTRI05575	LID ASSY, RECOVERY TANK	1,00
0053	VTVT00311	SCREW TE M4X12	1,00
0054	FSVR00243	BASE CABLE TIE, PLASTIC	1,00
0055	897589	WASHER, UNI6592, M4X16, ZB	2,00
0056	VTDD00001	NUT UNI 5588 M3 ZB	2,00
0057	MEVR02074	PLUG IEC	1,00
0058	VTVT00035	SCREW M 3X 8 TS TC ZC	2,00
0059	897623	SOLENOIDE, VALVE, PROTECTION	1,00
0060	897359	SCREW, TCTC, M4X16, ACCIAIO, INOX	2,00
0061	897588	SCREW, TE, M5X35, UNI5739	1,00
0062	897384	WASHER D. 5X14 INX	1,00
0063	897359	SCREW, TCTC, M4X16, ACCIAIO, INOX	1,00
0064	897156	WASHER D. 4 INX	3,00
0065	897245	CLIP	1,00
0066	VTVT15965	SCREW, TCB-TC, M4X12, UNI7687, INX	2,00
0067	897160	NUT, M4, INOX, ZN	1,00
0068	LAFN09354	BRACKET CLIP SUPPORT	1,00
0069	897160	NUT, M4, INOX, ZN	2,00
0070	897590	VR, GASKET	1,00
0071	MEVR00039	FUSE, 020A, MAIN CARD	1,00
0072	MECB01384	WIRING COMPLETE	1,00
0073	897591	CAP, IEC	1,00
0074	897592	BRACKET	1,00
0075	MECB01385	WIRING	1,00
0076	MPVR12325	CLIP BLOCK FLAT	1,00
0077	FSVR00264	CLAMP	1,00
0078	897668	HINGE [416S]	2,00
0079	897669	SCREW STS KN1031-Neu 4x16 - H2	4,00
0080	GUGO00480	GASKET	1,00
0081	BAAC00189	AGM BATTERY, 12V, 72AH(C5)	2,00
0082	KTRI06344	LABEL KIT, T191	1,00

SCRUB HEAD & SQUEEGE GROUP

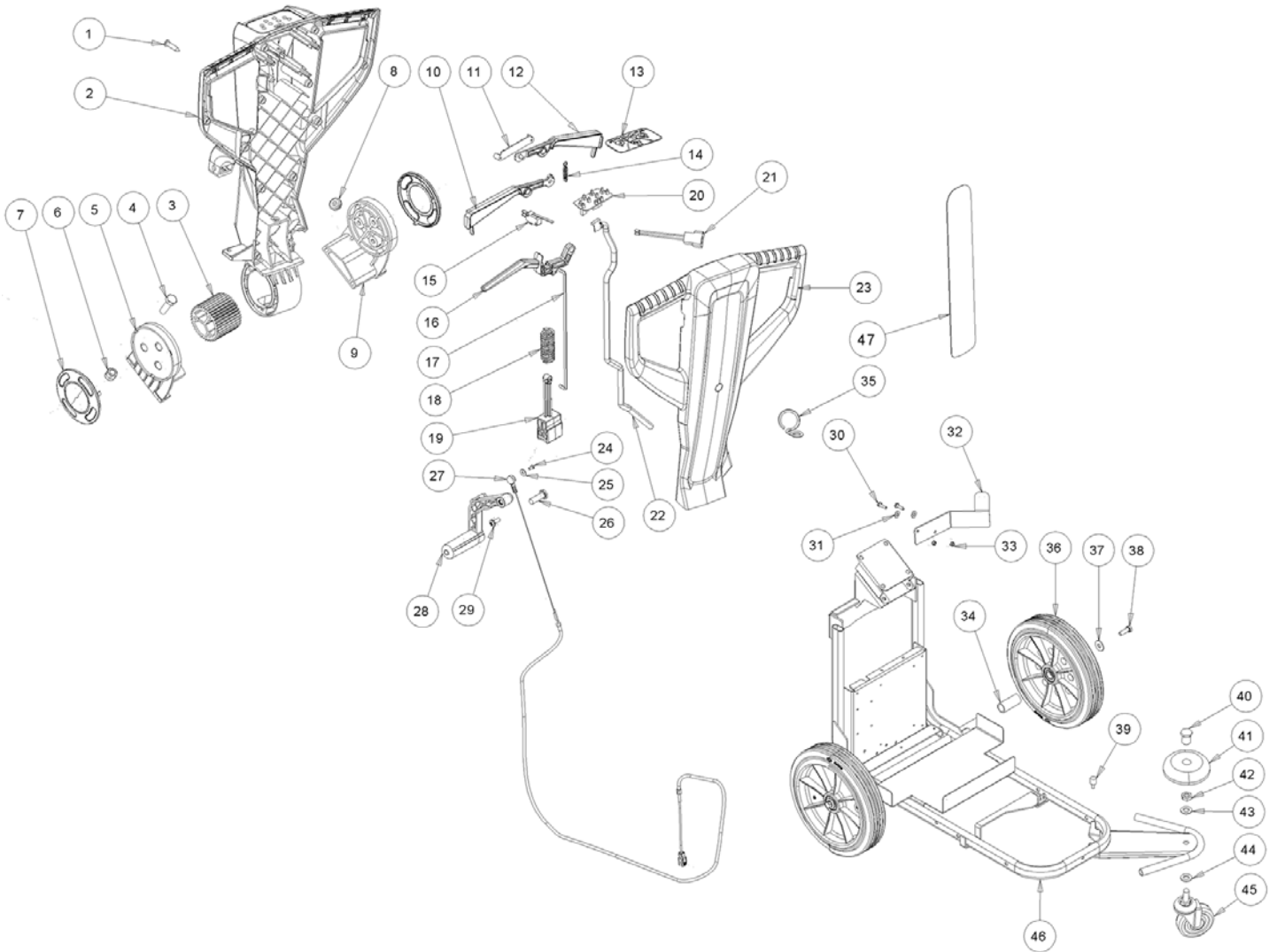


Ref.	Part No.	Description	Quantity
0001	897626	NUT, M5	6,00
0002	897384	WASHER D. 5X14 INX	6,00
0003	LAFN07908	BRACKET -	1,00
0004	MPVR06538	BLADE SQGE, REAR, 715L, LINATEX (STANDARD)	1,00
0004	MPVR05954	BLADE SQGE, REAR, 715L, LATEX (OPTION)	1,00
0004	KTRI02055	BLADE KIT, SQGE, REAR & FRONT, PYU (OPTION)	1,00
0005	897628	FITTING, CONNECTOR, ELBOW	1,00
0006	VTVT48694	SCREW TCB TC 5 X12 UNI 9707 TZ	2,00
0007	897629	FLANGE	1,00
0008	MPVR05914	FLOOR WIPER YELLOW RAL1021	1,00
0009	897630	KNOB, SMALL	2,00
0010	897115	SCREW, M6X55, SS	2,00
0011	MPVR06537	BLADE SQGE, FRONT, 660L, LINATEX (STANDARD)	1,00
0011	MPVR05953	BLADE SQGE, FRONT, 66-L, LATEX (OPTION)	1,00
0011	KTRI02055	BLADE KIT, SQGE, REAR & FRONT, PYU (OPTION)	1,00
0012	LAFN07907	BRACKET -	1,00
0013	897635	SCREW M5x25	2,00
0014	897681	SCREW M5x35	2,00
0015	897681	SCREW M5x35	2,00
0016	897632	SCREW, M5X20	3,00
0017	9017848	WHEEL, SQGE	2,00
0018	897384	WASHER D. 5X14 INX	2,00
0019	VTVT48694	SCREW TCB TC 5 X12 UNI 9707 TZ	2,00
0020	9017848	WHEEL, SQGE	3,00
0021	897633	BUSHING	3,00
0022	897384	WASHER D. 5X14 INX	6,00
0023	897644	WASHER D. 5 INX GRW UNI 1751	3,00
0024	VTDD01693	NUT, M5, INOX	3,00
0025	LAFN07903	SUPPPORT -	1,00
0026	LAFN07902	ARM -	2,00
0027	897287	SCREW TE 6X20 UNI5739 INX	2,00
0028	897106	WASHER D.6 UNI 6592 INOX	2,00
0029	897106	WASHER D.6 UNI 6592 INOX	2,00
0030	897138	NUT M6 INOX	2,00
0031	MPVR05916	COVER BRUSH HEAD CT30	1,00
0033	897384	WASHER D. 5X14 INX	3,00
0034	897644	WASHER D. 5 INX GRW UNI 1751	3,00
0035	897459	SCREW, M5X12, TE, INOX	3,00
0036	SPPV02665	BRUSH ASSY, DISK, SCB, 45CM, PYP	1,00
0037	897138	NUT M6 INOX	1,00
0038	897112	WASHER D. 6X18 INX UNI 6593	1,00
0039	897112	WASHER D. 6X18 INX UNI 6593	1,00
0040	897639	SCREW, M6X140	1,00

SCRUB HEAD & SQUEEGE GROUP

Ref.	Part No.	Description	Quantity
0041	897638	BODY, SIDE, SX	1,00
0042	897637	BRACKET	1,00
0043	897112	WASHER D. 6X18 INX UNI 6593	4,00
0044	897129	WASHER D. 6 INX GRW UNI 1751	4,00
0045	897287	SCREW TE 6X20 UNI5739 INX	4,00
0046	VTVR16617	WEDGE 6X 6X30 UNI 6604	1,00
0047	KTRI06334	HUB KIT, DRIVE, BRUSH, DISK	1,00
0048	897120	WASHER, D.8X24, UNI6593, INOX	1,00
0049	897216	WASHER, D. 8, GRW, UNI1751, INOX	1,00
0050	897316	SCREW, TE, M8X20, UNI5739, INOX	1,00
0051	897124	NUT, M8, INOX	1,00
0052	897124	NUT, M8, INOX	1,00
0053	897218	BUSHING BRUSH DECK SUPPORT	3,00
0054	VTVT01378	SCREW TBEI M8X35	2,00
0055	897124	NUT, M8, INOX	2,00
0056	897225	BUSHING LEVA POSTER.	1,00
0057	LAFN07910	BRACKET -	1,00
0058	VTVT01195	SCREW TBEI M 8X 25 ISO 7380 IX	2,00
0059	LAFN07905	SUPPORT BRUSH MOTOR CT30-45	1,00
0060	897130	SCREW, TE, M6X12, UNI5739, A2	4,00
0061	897129	WASHER D. 6 INX GRW UNI 1751	4,00
0062	9017765	MOTOR, BRUSH, 24VDC	1,00
0063	MLML00340	SPRING -	1,00
0068	LAFN07906	BRACKET -	1,00
0069	VTDD00128	SELF-LOCJ.NUT M5	2,00
0073	897152	WASHER, D.8, UNI6592, INOX	2,00
0074	897152	WASHER, D.8, UNI6592, INOX	4,00
0075	897565	SCREW TE M 5X 10 UNI 5739	3,00
0076	897384	WASHER D. 5X14 INX	3,00
0077	MPVR05957	PROTECTION -	1,00
0083	897152	WASHER, D.8, UNI6592, INOX	1,00
0084	9017849	SPRING, SQGE	2,00
0085	897510	FUSE 30A	1,00
0086	MECB01384	WIRING COMPLETE CT30-45 B	1,00
0087	MPVR05966	GUARD, SPLASH, T191 [OPTION] (Recommended when using pads)	1,00
0088	PMVR06824	SQUEEGEE ASSY, LINATEX [T191]	1,00

HANDLE & FRAME GROUP



Ref.	Part N.	Description	Quantity
0001	897593	SCREW, M4,8X19	14,00
0002	897670	BASE	1,00
0003	897595	GEAR	1,00
0004	VTVT75724	SCREW, HEX, M8 X 1.25 X 22	4,00
0005	897597	SHELL, DX	1,00
0006	897598	NUT, M8, FLAT	4,00
0007	897599	COVER	2,00
0008	897600	FAIR, LEAD	1,00
0009	897601	SHELL, SX	1,00
0010	897671	LEVER	1,00
0011	897603	CARD,SUPPORT, ELECTRONIC	1,00
0012	897672	LEVER	1,00
0013	897673	LABEL, DASHBOAD	1,00
0014	897606	SPRING	1,00
0015	9017689	SWITCH, HANDLE	1,00
0016	897674	LEVER	1,00
0017	KTRI02273	KIT HANDLE ADJUST ROD	1,00
0018	897608	SPRING	1,00
0019	897609	HANDLE, SUPPORT	1,00
0020	897610	ASSY, CIRCUITBOARD	1,00
0021	897611	BOTTON, PUSH, WIRING	1,00
0022	897612	CABLE, RIBBON, FLAT	1,00
0023	897675	COVER	1,00
0024	897150	SCREW, TC, M4X12, ZN	1,00
0025	897149	WASHER 4-16 INOX A2	1,00
0026	897614	PIN	1,00
0027	9017846	CABLE, LIFT, SQGE	1,00
0028	9017688	LEVER, LIFT, SQGE	1,00
0029	897615	SCREW, TC, M6X12	1,00
0030	897128	SCREW TE 6X16 UNI5739	2,00
0031	897106	WASHER D.6 UNI 6592 INOX	2,00
0032	LAFN09171	BRACKET -	1,00
0033	897138	NUT M6 INOX	2,00
0034	LAFN11016	SPACER -	2,00
0035	897625	HOOK	1,00
0036	897618	WHEEL, GRAY, D.250	2,00
0037	897619	WASHER, D.8X24, ZC	2,00
0038	897676	SCREW TE 8X16 UNI5739	2,00

HANDLE & FRAME GROUP

Ref.	Part No.	Description	Quantity
0039	MPVR05967	CAP -	1,00
0040	LAFN09172	BUSHING -	1,00
0041	MPVR05965	WHEEL SIDE BUMPER CT30-45	1,00
0042	VTDD00502	NUT M12	1,00
0043	897247	WASHER, D. 12X36X2.5, UNI6593	1,00
0044	897247	WASHER, D. 12X36X2.5, UNI6593	1,00
0045	RTRT00632	WHEEL -	1,00
0046	LAFN07901	FRAME -	1,00
0047	KTRI06354	LABEL KIT, T191 (Complete Machine)	1,00

ELECTRICAL DIAGRAM [BATTERY MODEL]

