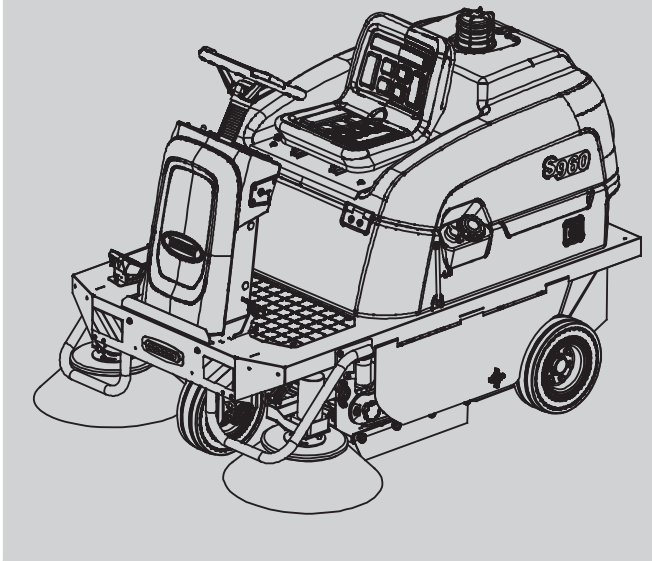




S960

Rider Sweeper

Parts Manual



Model Part No.:
2211839 - RIDER SWEEPER [S960, EMEA]

TennantTrue® Parts

Europe



To view, print or download
the parts manual, visit:

www.tennantco.com/manuals

7007591
Rev. 00 (01-2026)

Only use TENNANT Company supplied or equivalent parts. Parts and supplies may be ordered online, by phone or from any Tennant Authorized Service Center or Distributor.

Before Ordering any parts or supplies, be sure to have the machine model number and serial number available.

Serial Number Location



TABLE OF CONTENTS

RECOMMENDED SPARE PARTS LIST ... 3
 MAIN BRUSH MOTOR GROUP 4
 MAIN BRUSH GROUP 6
 MAIN BRUSH LIFT BRACKET GROUP ... 8
 MAIN FRAME GROUP 10
 FRONT WHEEL GROUP 14
 DRIVE MOTOR GROUP 16
 REAR BRAKE GROUP 18
 REAR WHEEL GROUP 20
 DEBRIS FLAP GROUP 22
 DUST SKIRT GROUP 24
 STEERING COLUMN GROUP 26
 CONTROL PANEL GROUP 28
 SIDE BRUSH GROUP 30
 BRAKE PEDAL GROUP 32
 SOLUTION SYSTEM GROUP 34
 ELECTRICAL COMPONENT GROUP 36
 DUST FILTER GROUP 38
 SOLUTION TANK GROUP 40
 TOP SHROUD GROUP 42
 HOPPER GROUP 44
 BATTERY AND CHARGER GROUP 46
 WIRE HARNESS GROUP 48
 LABEL GROUP 52
 DOCUMENTATION GROUP 53
 ELECTRICAL DIAGRAM 54

Tennant Company
 10400 Clean Street
 Eden Prairie, MN 55344- 2650
 USA
 Phone: (800) 553- 8033
 www.tennantco.com

Tennant Company N.V.
 Industrielaan 6 5405 AB
 P.O. Box 6 5400 AA
 Uden- The Netherlands
 europe@tennantco.com
 www.tennantco.com

Specifications and parts are subject to change without notice.

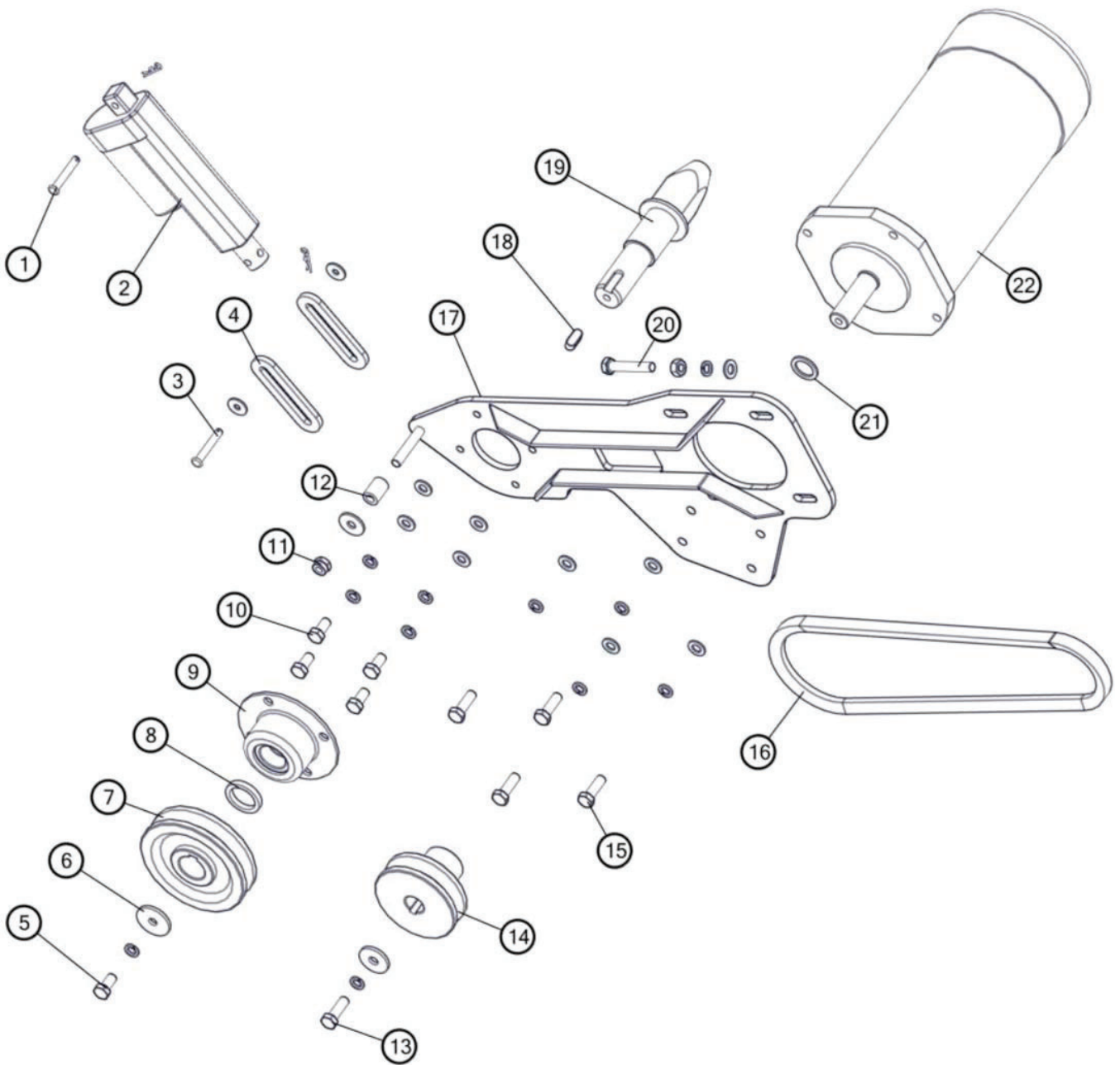
Copyright © 2026 TENNANT Company

RECOMMENDED SPARE PARTS LIST

| Part no | Description |
|-----------|--|
| TN5100322 | BRUSH, MAIN, CYLINDRICAL [700X320MM] |
| TN5100320 | SIDE BRUSH |
| TN5100357 | CARTRIDGE, FILTER, ROUND [500- 320] DUST |
| CN5004741 | FILTER, MESH, WATER |
| CN5004454 | FUSE, REPL [3A] |
| CN5006408 | FUSE, REPL [10A] |
| CN5001636 | FUSE, 100A |
| 4238234 | SEALING STRIP W17 H30 CAL 1- 3.5 (750MM) |
| 4238236 | SEALING STRIP W17 H30 CAL 1- 3.5 (800MM) |
| TN4100405 | WHEEL, HOPPER [5"] |
| CN4001190 | BELT, DRIVE [XPA800] |
| CN5006463 | WHEEL, FRONT [300X100] |
| TN5100354 | SKIRT, RUBBER, SIDE, SWEEP |
| CN5006432 | SKIRT, RUBBER, REAR |
| CN5006429 | SKIRT, RUBBER, FRONT [NR2] |
| CN5006430 | SKIRT, RUBBER, FRONT [NR1] |
| CN5001519 | KEY, SWITCH, POWER |
| 1274853 | BATTERY, AGM, 12VDC, 120AH [LEOCH] |
| 4235170 | CHARGER, S960 EMEA |

STANDARD PARTS

MAIN BRUSH MOTOR GROUP

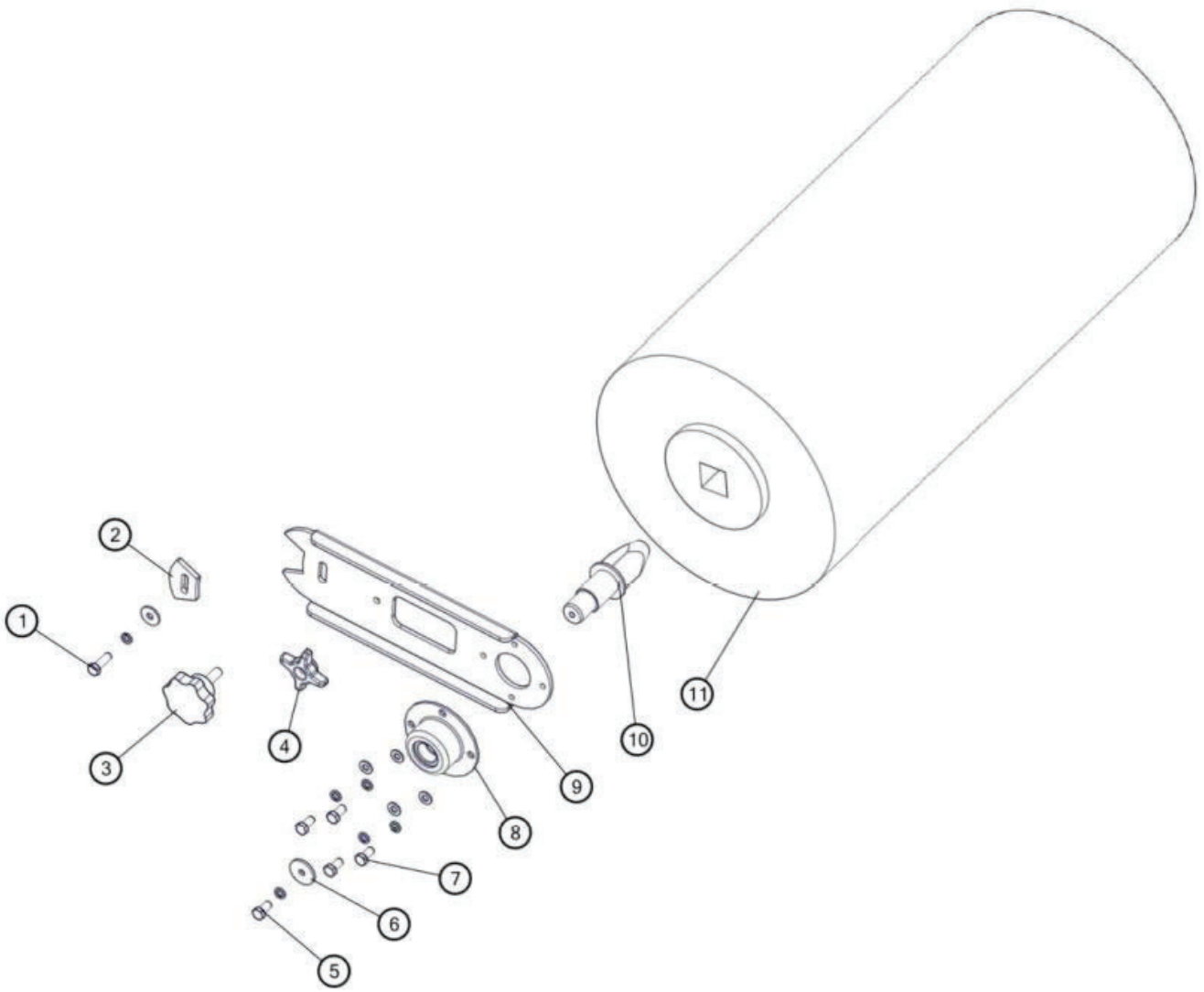


MAIN BRUSH MOTOR GROUP

| Ref. | Part No. | Serial Numbers | Description | Qty. |
|------|-----------|----------------|---|------|
| 1 | 05283 | () | PIN, CLEVIS [6X40MM] | 1 |
| 1 | CN4000905 | () | PIN, COTTER, 1.8X35 | 1 |
| 2 | CN5006486 | () | ACTUATOR, BRUSH, MAIN [48VDC] | 1 |
| 3 | 05283 | () | PIN, CLEVIS [6X40MM] | 1 |
| 3 | 01684 | () | WASHER, FLAT, 0.27B 0.69D .05, SS | 2 |
| 3 | CN4000905 | () | PIN, COTTER, 1.8X35 | 1 |
| 4 | CN5006345 | () | PLATE, BRUSH LIFT, ACTUATOR | 2 |
| 5 | 15675 | () | SCREW, HEX, M8 X 1.25 X 16, SS | 1 |
| 5 | 39355 | () | WASHER, M8 WHITE | 1 |
| 6 | TN5100376 | () | WASHER, M8, 8.2 X 32 X 3MM | 1 |
| 7 | TN5100347 | () | SHEAVE, IDLER, MAIN, BRUSH, DRIVE | 1 |
| 8 | TN5100377 | () | SPACER, DRIVE, BRUSH, MAIN | 1 |
| 9 | TN5100976 | () | SUPPORT, WELD, BEARING 6205, MAIN BRUSH | 1 |
| 10 | 15675 | () | SCREW, HEX, M8 X 1.25 X 16, SS | 4 |
| 10 | 39355 | () | WASHER, M8 WHITE | 4 |
| 10 | 32491 | () | WASHER, M8 | 4 |
| 11 | 08713 | () | NUT, HEX, LOCK, M8 X 1.25, NL, SS | 1 |
| 11 | 39882 | () | WASHER, M8 | 1 |
| 12 | CN5006410 | () | SPACER, [ABS, 8X14X20MM] | 1 |
| 13 | 09010 | () | SCREW, HEX, M8 X 1.25 X 25, SS | 1 |
| 13 | 39355 | () | WASHER, M8 WHITE | 1 |
| 13 | CN4000952 | () | PAD, FLAT, 8X30X2, EXTRA LRG [M8] | 1 |
| 14 | TN5100346 | () | SHEAVE, MAIN, BRUSH, DRIVE | 1 |
| 15 | 16931 | () | SCREW, HEX, M8X1.25X20 | 4 |
| 15 | 39355 | () | WASHER, M8 WHITE | 4 |
| 15 | 32491 | () | WASHER, M8 | 4 |
| 16 | CN4001190 | () | BELT, DRIVE [XPA800] | 1 |
| 17 | TN5100371 | () | ARM, WLDT, DRIVE, SWEEP, MAIN | 1 |
| 18 | CN4000811 | () | KEY, 8X7X18MM | 1 |
| 19 | TN5100342 | () | PLUG, BRUSH, MAIN, DRIVE | 1 |
| 20 | CN4000083 | () | BOLT, HEX, [M8X45] | 1 |
| 20 | 07786 | () | NUT, HEX, STD, M8 X 1.25, SS | 1 |
| 20 | 39355 | () | WASHER, M8 WHITE | 1 |
| 20 | 32491 | () | WASHER, M8 | 1 |
| 21 | TN5100378 | () | GASKET, MOTOR | 1 |
| 22 | TN5100334 | () | MOTOR, MAIN, BRUSH | 1 |

STANDARD PARTS

MAIN BRUSH GROUP

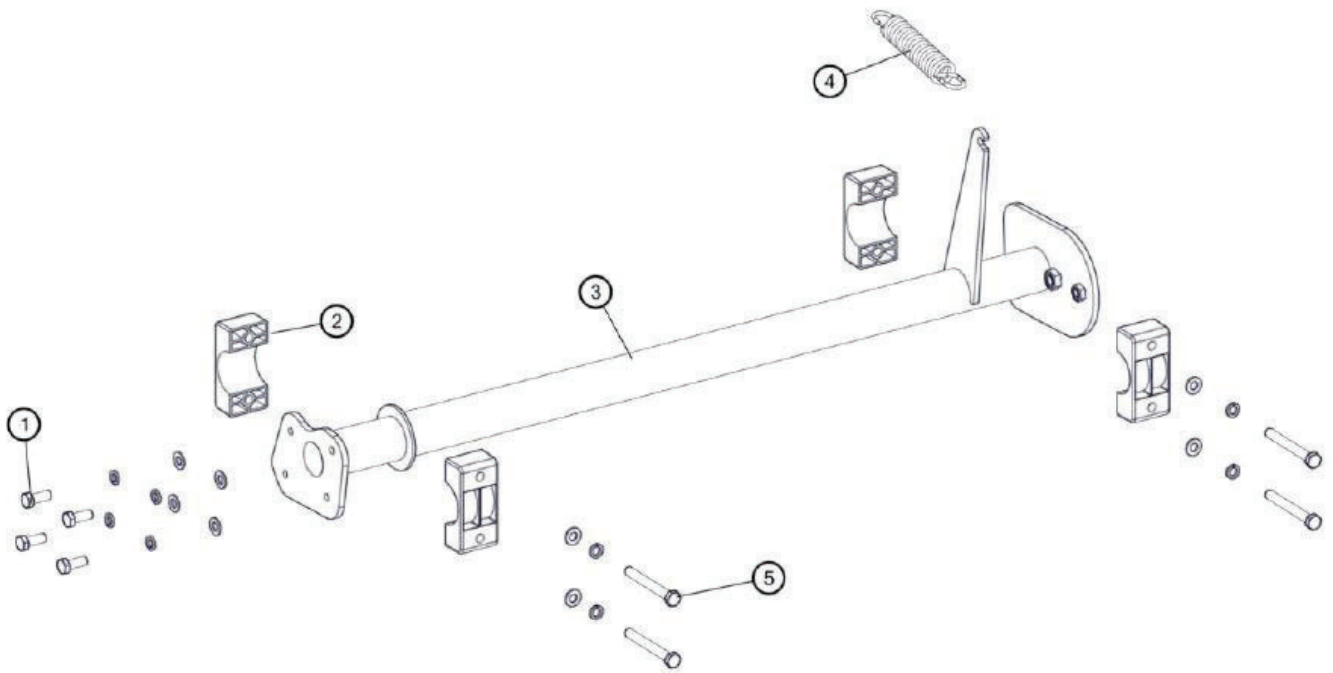


MAIN BRUSH GROUP

| Ref. | Part No. | Serial Numbers | Description | Qty. |
|------|-----------|----------------|---|------|
| 1 | 09010 | () | SCREW, HEX, M8 X 1.25 X 25, SS | 1 |
| 1 | 39355 | () | WASHER, M8 WHITE | 1 |
| 1 | 39882 | () | WASHER, M8 | 1 |
| 2 | CN5006363 | () | PLATE, SUPPORT, MAIN BRUSH, LIMIT | 1 |
| 3 | CN4001184 | () | SCREW, KNURLED [M10X30] | 1 |
| 4 | CN5005398 | () | KNOB, STAR, 60MMOD 4EAR M8 [YEL] | 1 |
| 5 | 15675 | () | SCREW, HEX, M8 X 1.25 X 16, SS | 1 |
| 5 | 08160 | () | WASHER, M6 | 1 |
| 6 | TN5100376 | () | WASHER, M8, 8.2 X 32 X 3MM | 1 |
| 7 | 15675 | () | SCREW, HEX, M8 X 1.25 X 16, SS | 4 |
| 7 | 39355 | () | WASHER, M8 WHITE | 4 |
| 7 | 32491 | () | WASHER, M8 | 4 |
| 8 | TN5100976 | () | SUPPORT, WELD, BEARING 6205, MAIN BRUSH | 1 |
| 9 | TN5100373 | () | ARM, WLDT, IDLER, SWEEP, MAIN | 1 |
| 10 | TN5100341 | () | PLUG, BRUSH, MAIN, SUPPORT | 1 |
| 11 | TN5100322 | () | BRUSH, MAIN, CYLINDRICAL [700X320MM] | 1 |

STANDARD PARTS

MAIN BRUSH LIFT BRACKET GROUP

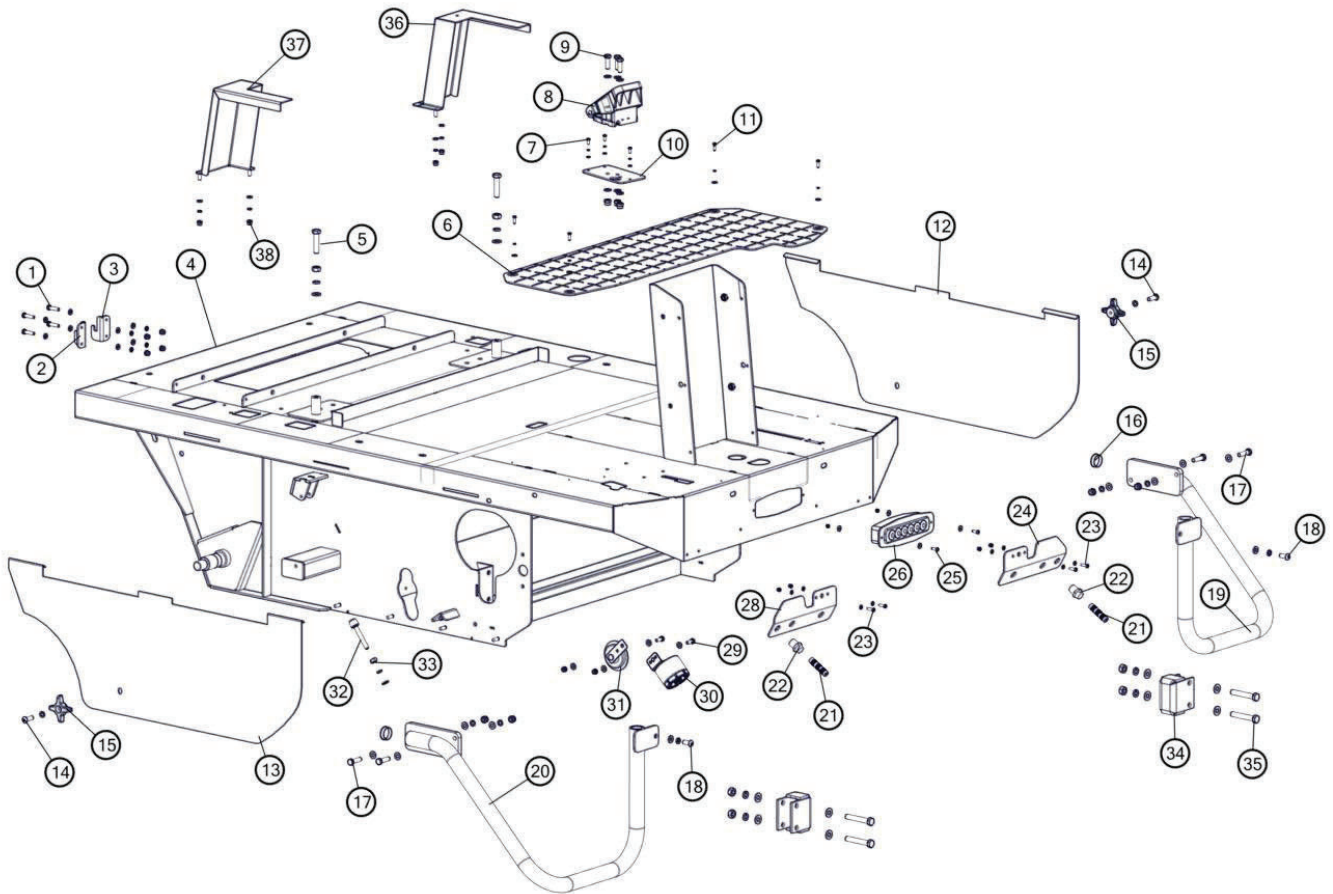


MAIN BRUSH LIFT BRACKET GROUP

| Ref. | Part No. | Serial Numbers | Description | Qty. |
|------|-----------|----------------|--------------------------------|------|
| 1 | 09740 | () | SCREW, HEX, M8 X 1.25 X 20, SS | 4 |
| 1 | 39355 | () | WASHER, M8 WHITE | 4 |
| 1 | 32491 | () | WASHER, M8 | 4 |
| 2 | CN5004199 | () | BRACKET, SHAFT, BRUSH, LIFT | 4 |
| 3 | TN5100372 | () | ARM, WLDT, LIFT, SWEEP, MAIN | 1 |
| 4 | CN4001178 | () | SPRING,ROTATE,SHAFT,MAIN BRUSH | 1 |
| 5 | 39279 | () | SCREW, HEX, M8X70 | 4 |
| 5 | 39355 | () | WASHER, M8 WHITE | 4 |
| 5 | 32491 | () | WASHER, M8 | 4 |

STANDARD PARTS

MAIN FRAME GROUP



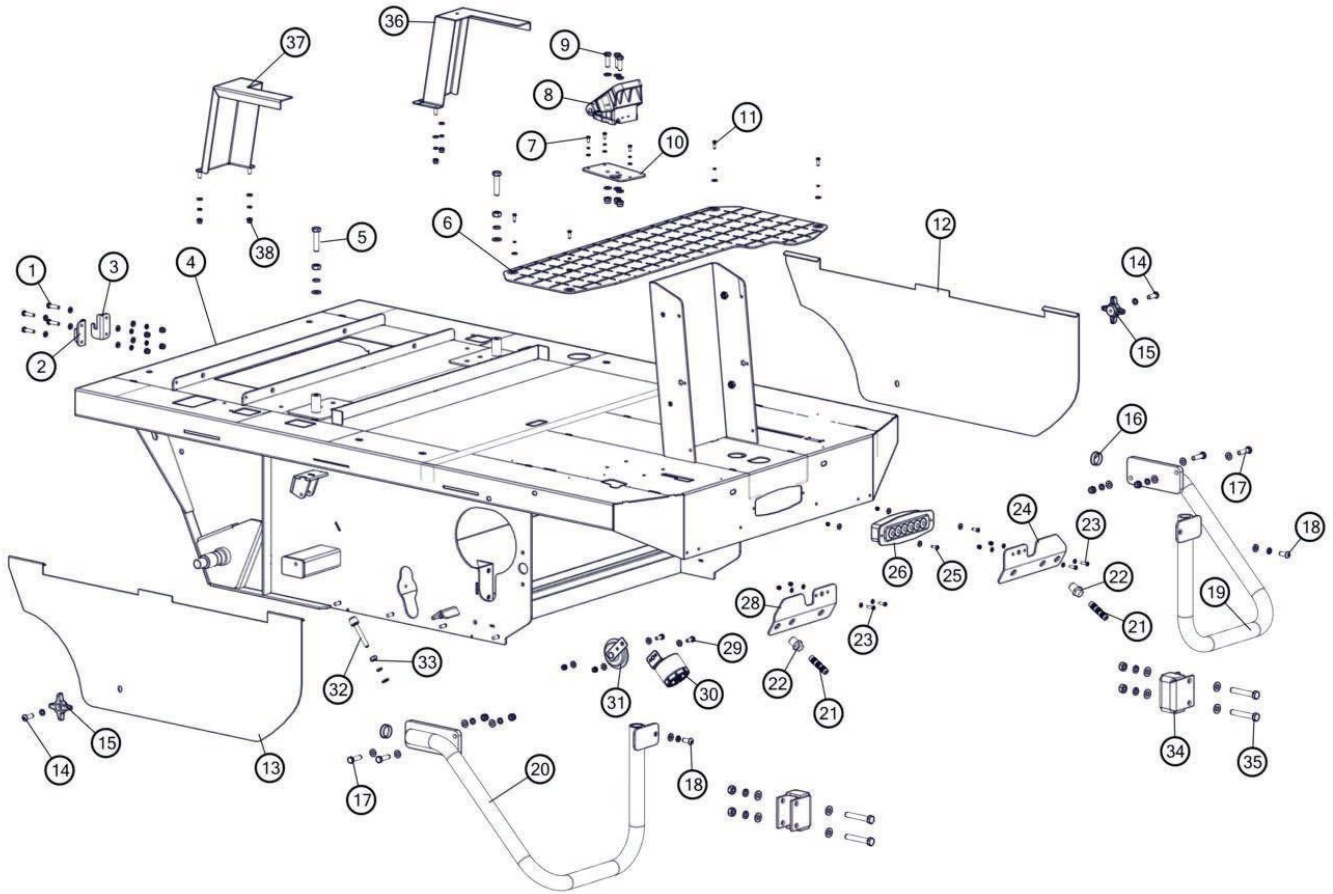
STANDARD PARTS

MAIN FRAME GROUP

| Ref. | Part No. | Serial Numbers | Description | Qty. |
|------|-----------|----------------|-----------------------------------|------|
| 1 | 15678 | () | SCREW, HEX, M6 X 1.00 X 16, SS | 4 |
| 1 | 01684 | () | WASHER, M6 | 8 |
| 1 | 08160 | () | WASHER, M6 | 4 |
| 1 | 08712 | () | NUT, HEX, LOCK, M6 X 1.00, NL, SS | 4 |
| 2 | TN5100439 | () | BRACKET, HOPPER, DEBRIS, RH | 1 |
| 3 | TN5100438 | () | BRACKET, HOPPER, DEBRIS, LH | 1 |
| 4 | 4235201 | () | FRAME, S960 (EMEA) | 1 |
| 5 | 06962 | () | SCREW, HEX, M10X45 | 2 |
| 5 | 07787 | () | NUT, HEX, LOCK, M6 X 1.00, NL, SS | 2 |
| 5 | 39356 | () | WASHER, SPRING, M10 | 2 |
| 5 | 140036 | () | WASHER, .375, FLT, SS | 2 |
| 6 | 4235197 | () | PLATE, NON- SLIP, S960 (EMEA) | 1 |
| 7 | CN4000040 | () | SCREW, PAN, PHL, M4 X 10 | 3 |
| 7 | CN4000403 | () | WASHER, BELLEVILLE, M4 | 3 |
| 7 | 41579 | () | WASHER, FLAT, 08, SS | 3 |
| 8 | CN5004449 | () | PEDAL, ACCELERATOR | 1 |
| 9 | 09010 | () | SCREW, HEX, M8 X 1.25 X 25, SS | 3 |
| 9 | 32491 | () | WASHER, M8 | 3 |
| 9 | 07786 | () | NUT, HEX, STD, M8 X 1.25, SS | 3 |
| 10 | CN5004991 | () | PLATE, MOUNTING, ACCEL, PEDAL | 1 |
| 11 | CN4000194 | () | SCREW, PAN, PHL, M4 X 14 | 4 |
| 11 | CN4000403 | () | WASHER, BELLEVILLE, M4 | 4 |
| 11 | CN4000367 | () | WASHER, M4 | 4 |
| 12 | TN5100369 | () | DOOR, SWP, HEAD [RH] | 1 |
| 13 | TN5100368 | () | DOOR, SWP, HEAD [LH] | 1 |
| 14 | CN4001241 | () | SCREW M8X25 PAN HEAD HEXAGON | 2 |
| 14 | 39355 | () | WASHER, M8 WHITE | 2 |
| 15 | CN5005398 | () | KNOB, STAR, 60MMOD 4EAR M8 [YEL | 2 |
| 16 | TN5100451 | () | SPACER [28MM] | 2 |
| 17 | 76570 | () | SCREW, HEX, M8 X 1.25 X 30, 8.8 | 4 |
| 17 | 32491 | () | WASHER, M8 | 8 |
| 17 | 39355 | () | WASHER, M8 WHITE | 4 |
| 17 | 08713 | () | NUT, HEX, LOCK, M8 X 1.25, NL, SS | 4 |
| 18 | 09740 | () | SCREW, HEX, M8 X 1.25 X 20, SS | 2 |
| 18 | 39355 | () | WASHER, M8 WHITE | 2 |
| 18 | 32491 | () | WASHER, M8 | 2 |
| 19 | 4235198 | () | GUARD, PROTECTIVE, LEFT S960 | 2 |
| 20 | 4235199 | () | GUARD, PROTECTIVE,RIGHT S960 | 1 |
| 21 | CN5006784 | () | NOZZLE [1,5MM] | 2 |
| 22 | CN5005126 | () | FITTING, NOZZLE, SPRAY | 2 |
| 23 | CN4000036 | () | SCREW, PAN, PHL, M4 X 16 | 4 |
| 23 | 41579 | () | WASHER, FLAT, 08, SS | 8 |
| 23 | 33932 | () | NUT, HEX, LOCK, M4 X 0.70, NL, SS | 4 |
| 24 | TN5100393 | () | BRACKET, NOZZLE, LH | 1 |
| 25 | CN4000194 | () | SCREW, PAN, PHL, M4 X 14 | 2 |
| 25 | 41579 | () | WASHER, FLAT, 08, SS | 4 |
| 25 | 33932 | () | NUT, HEX, LOCK, M4 X 0.70, NL, SS | 2 |
| 26 | TN5100323 | () | HEADLIGHT, FRONT [S960] | 1 |
| 28 | TN5100394 | () | BRACKET, NOZZLE, RH | 1 |
| 29 | 15678 | () | SCREW, HEX, M6 X 1.00 X 16, SS | 2 |
| 29 | 01684 | () | WASHER, M6 | 4 |
| 29 | 08712 | () | NUT, HEX, LOCK, M6 X 1.00, NL, SS | 2 |
| 30 | CN5005536 | () | HORN, BUZZER, REVERSE, DRIVE | 1 |
| 31 | CN5004457 | () | HORN [24VDC] | 1 |
| 32 | CN5005998 | () | SCREW, SNAP, BUTTON [PU] | 1 |

STANDARD PARTS

MAIN FRAME GROUP - Continued

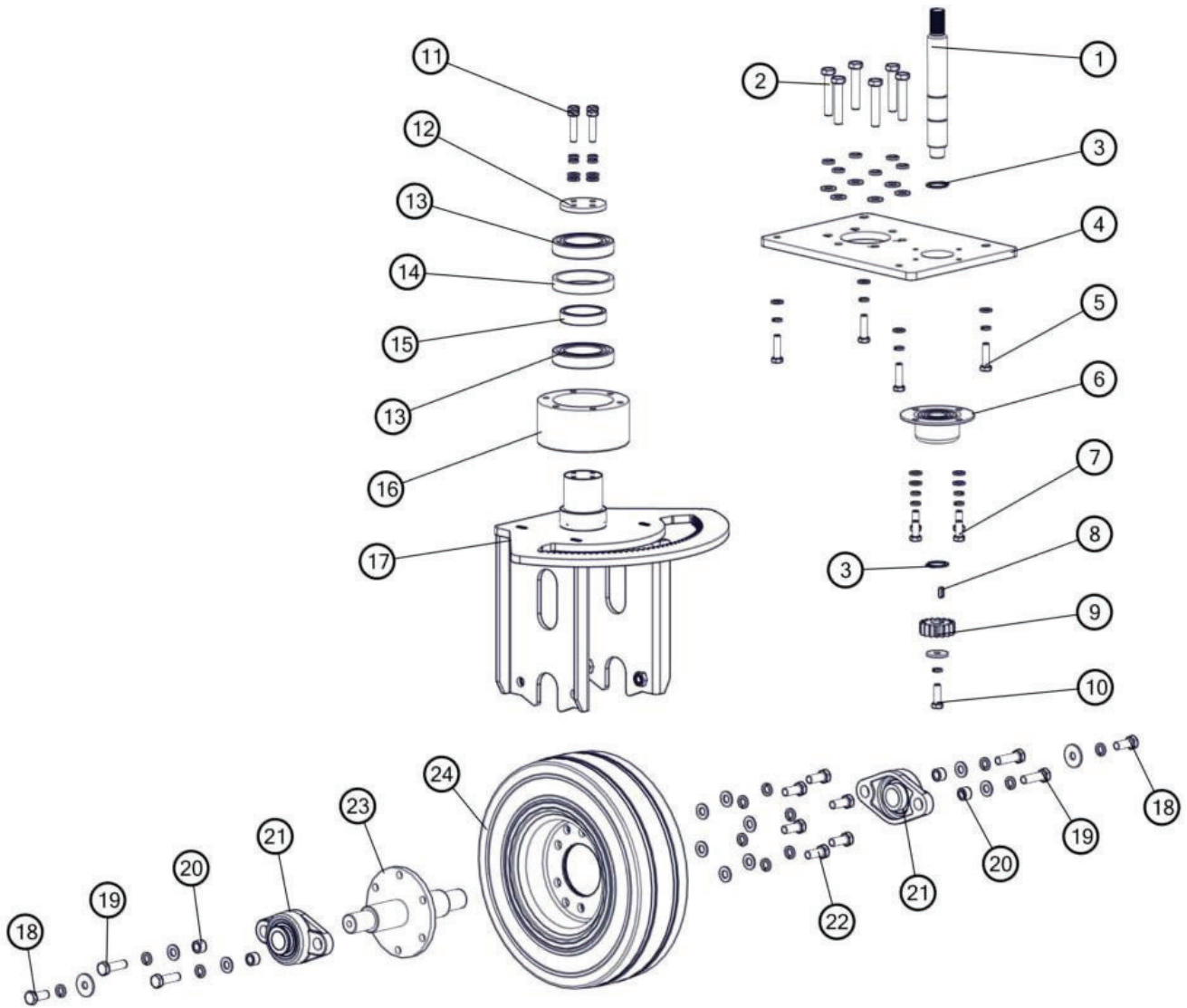


MAIN FRAME GROUP - Continued

| Ref. | Part No. | Serial Numbers | Description | Qty. |
|------|-----------|----------------|-------------------------------|------|
| 33 | 07786 | () | NUT, HEX, STD, M8 X 1.25, SS | 1 |
| 33 | 39355 | () | WASHER, M8 WHITE | 1 |
| 33 | 32491 | () | WASHER, M8 | 1 |
| 34 | 4235200 | () | BLOCK, JACK POINT S960 (EMEA) | 2 |
| 35 | CN4000192 | () | BOLT, HEX, [M10X65 | 4 |
| 35 | 01686 | () | M10 GASKET | 8 |
| 35 | 39356 | () | WASHER, SPRING, M10 | 4 |
| 35 | 41430 | () | M10 SELF- LOCKING NUT | 4 |
| 36 | 4235193 | () | COVER, CHAIN 1, S960 (EMEA) | 1 |
| 37 | 4235194 | () | COVER, CHAIN 2, S960 (EMEA) | 1 |
| 38 | 32491 | () | WASHER, M8 | 4 |
| 38 | 39355 | () | WASHER, M8 WHITE | 4 |
| 38 | 08709 | () | NUT, M8, SELF LOCKING | 4 |

STANDARD PARTS

FRONT WHEEL GROUP

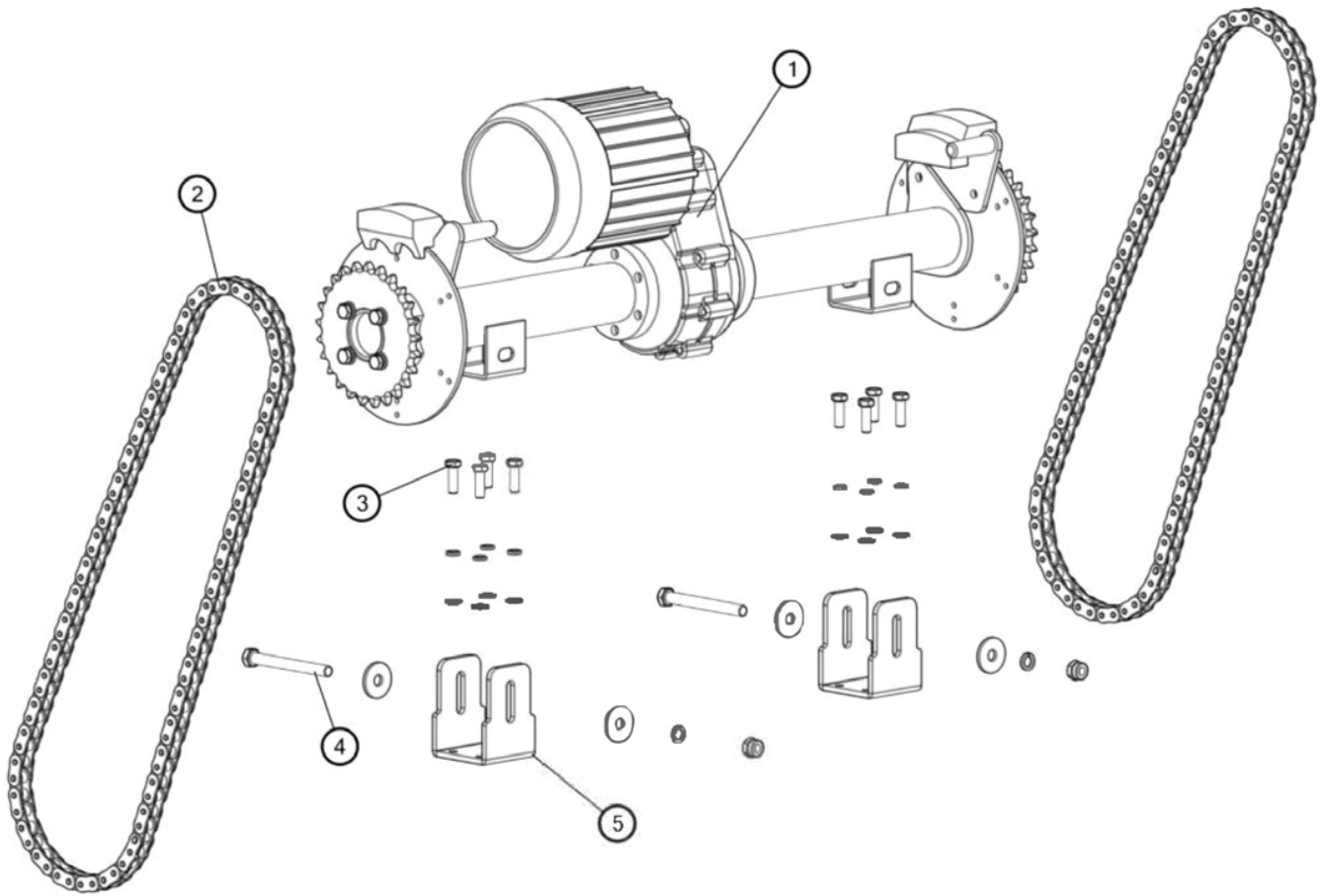


FRONT WHEEL GROUP

| Ref. | Part No. | Serial Numbers | Description | Qty. |
|------|-----------|----------------|-------------------------------------|------|
| 1 | TN5100340 | () | SHAFT, STEERING, FRONT, WHEEL | 1 |
| 2 | CN4000282 | () | SCREW, HEX, M10X55 | 3 |
| 2 | 39356 | () | WASHER, SPRING, M10 | 3 |
| 2 | 140036 | () | WASHER, .375, FLT, SS | 3 |
| 3 | CN4000485 | () | RING, RETAINING [D25MM] | 2 |
| 4 | TN5100375 | () | PLATE, MNTG, FRONT, STEERING, WHEEL | 1 |
| 5 | 76570 | () | SCREW, HEX, M8 X 1.25 X 30, 8.8 | 4 |
| 5 | 39355 | () | WASHER, M8 WHITE | 4 |
| 5 | 32491 | () | WASHER, M8 | 4 |
| 6 | TN5100353 | () | BEARING [6205] | 1 |
| 7 | 09740 | () | SCREW, HEX, M8 X 1.25 X 20, SS | 4 |
| 7 | 39355 | () | WASHER, M8 WHITE | 4 |
| 7 | 32491 | () | WASHER, M8 | 4 |
| 8 | CN4000800 | () | KEY, 5X5X14MM | 1 |
| 9 | TN5100352 | () | GEAR, FRONT, WHEEL, STEERING | 1 |
| 10 | 09010 | () | SCREW, HEX, M8 X 1.25 X 25, SS | 1 |
| 10 | 39355 | () | WASHER, M8 WHITE | 1 |
| 10 | CN4000952 | () | PAD, FLAT, 8X30X2, EXTRA LRG [M8] | 1 |
| 11 | 09023 | () | SCREW, HEX, M8 X 1.25 X 35, FL, SS | 4 |
| 11 | 39355 | () | WASHER, M8 WHITE | 4 |
| 11 | 32491 | () | WASHER, M8 | 4 |
| 12 | TN5100379 | () | PLATE, BEARING, MNTG, STEERING | 1 |
| 13 | CN4000519 | () | BEARING, 6010 | 2 |
| 14 | CN5001153 | () | SLEEVE, BEARING, FRONT WHEEL | 1 |
| 15 | CN5004983 | () | SLEEVE, BEARING, FRONT WHEEL | 1 |
| 16 | TN5100351 | () | MOUNTING, BEARING, FRONT, WHEEL | 1 |
| 17 | TN5100364 | () | FRAME, WLDT, FRONT, WHEEL | 1 |
| 18 | 09028 | () | SCREW, HEX, M10 X 1.50 X 25, SS | 2 |
| 18 | 39356 | () | WASHER, SPRING, M10 | 2 |
| 18 | CN4000401 | () | PAD, FLAT, M10, EXTRA LRG, 10*40*3 | 2 |
| 19 | 77347 | () | SCREW, HEX, M10 X 1.50 X 35, SS | 4 |
| 19 | 39356 | () | WASHER, SPRING, M10 | 4 |
| 19 | 140036 | () | WASHER, .375, FLT, SS | 4 |
| 20 | CN5001191 | () | SPACER, BEARING, HOUSING | 2 |
| 21 | CN4000542 | () | BEARING, MOUNT [UCFL205] | 2 |
| 22 | 09028 | () | SCREW, HEX, M10 X 1.50 X 25, SS | 12 |
| 22 | 39356 | () | WASHER, SPRING, M10 | 12 |
| 22 | 140036 | () | WASHER, .375, FLT, SS | 12 |
| 23 | CN5006438 | () | SHAFT, FRONT, WHEEL, MNTG | 1 |
| 24 | CN5006463 | () | WHEEL, FRONT [300X100] | 1 |

STANDARD PARTS

DRIVE MOTOR GROUP

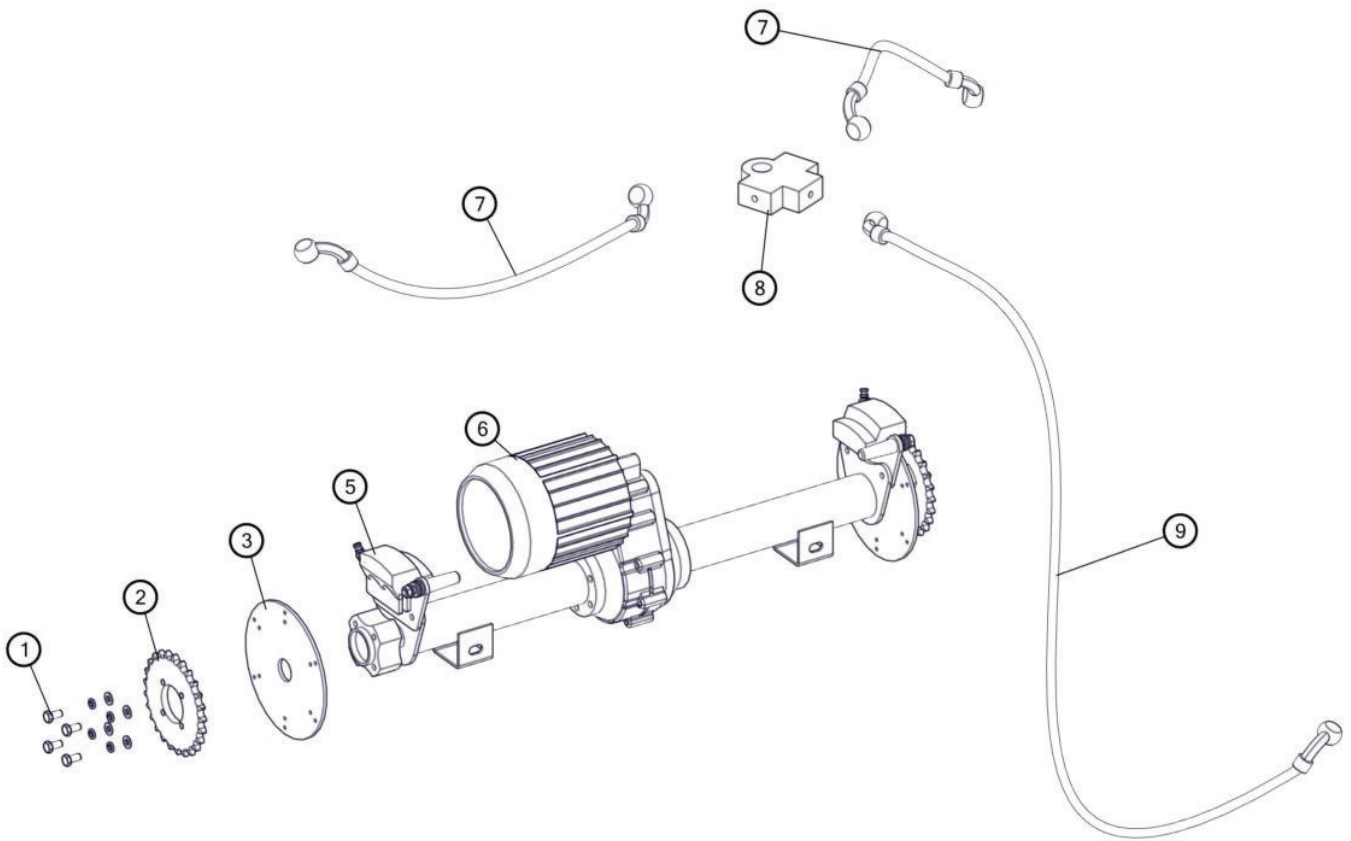


DRIVE MOTOR GROUP

| Ref. | Part No. | Serial Numbers | Description | Qty. |
|-------------|-----------------|-----------------------|-------------------------------------|-------------|
| 1 | TN5100336 | () | DRIVE REAR AXLE ASSEMBLY DISC BRAKE | 1 |
| 2 | TN5100345 | () | CHAIN, PROPEL, WHEEL, REAR | 2 |
| 3 | 09010 | () | SCREW, HEX, M8 X 1.25 X 25, SS | 8 |
| 3 | 39355 | () | WASHER, M8 WHITE | 8 |
| 3 | 32491 | () | WASHER, M8 | 8 |
| 4 | CN4001183 | () | SCREW, HEX, M10X100, SS | 2 |
| 4 | CN4000401 | () | PAD, FLAT, M10, EXTRA LRG, 10*40*3 | 4 |
| 4 | 39356 | () | WASHER, SPRING, M10 | 2 |
| 4 | 08714 | () | NUT, HEX, LOCK, M10 X 1.5, NL, SS | 2 |
| 5 | TN5100367 | () | BRACKET, REAR, DRIVE, ASSY, MNTG | 2 |

STANDARD PARTS

REAR BRAKE GROUP

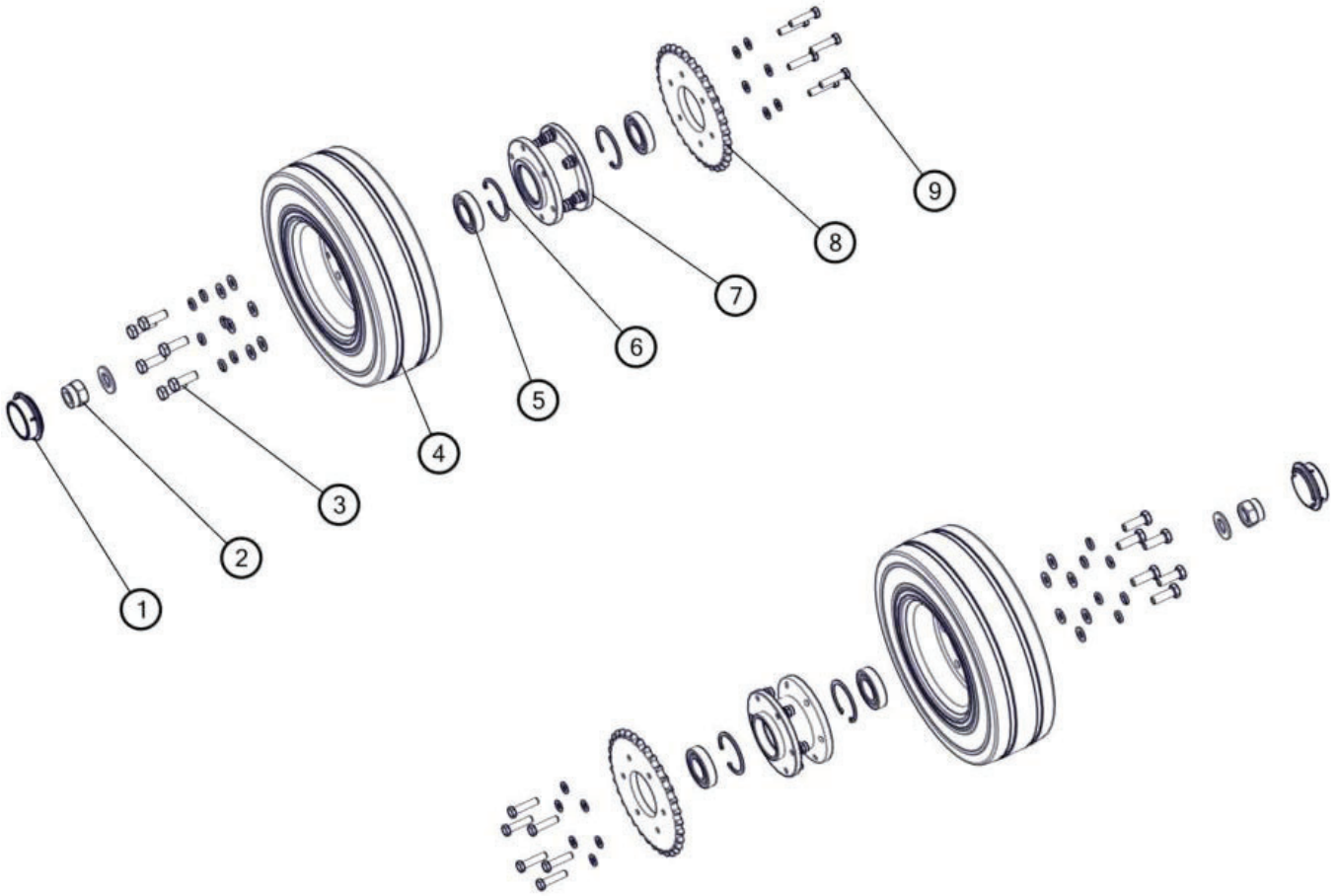


REAR BRAKE GROUP

| Ref. | Part No. | Serial Numbers | Description | Qty. |
|------|-----------|----------------|-----------------------------------|------|
| 1 | 16931 | () | SCREW, HEX, M8X1.25X20 | 4 |
| 1 | 39355 | () | WASHER, M8 WHITE | 4 |
| 1 | 32491 | () | WASHER, M8 | 4 |
| 2 | TN9100018 | () | SPROCKET WHEEL, 25GEAR [S960] | 2 |
| 3 | TN9100020 | () | DISC, BRAKE, DRIVE, SYSTEM [S960] | 2 |
| 4 | CN4001036 | () | NUT, FLNG, W/O SLIP, M8 | 2 |
| 5 | 4238111 | () | BRAKE, CALIPER, REAR DRIVE [S960] | 2 |
| 6 | TN9100019 | () | MOTOR, 1281.5KW [S960] | 1 |
| 7 | 4238101 | () | HOSE, HYD 03 [S960] | 2 |
| 8 | 4238209 | () | BLOCK, REAR- DRIVE, OIL, S960 | 1 |
| 9 | 4238102 | () | HOSE, HYD 01 [S960] | 1 |

STANDARD PARTS

REAR WHEEL GROUP

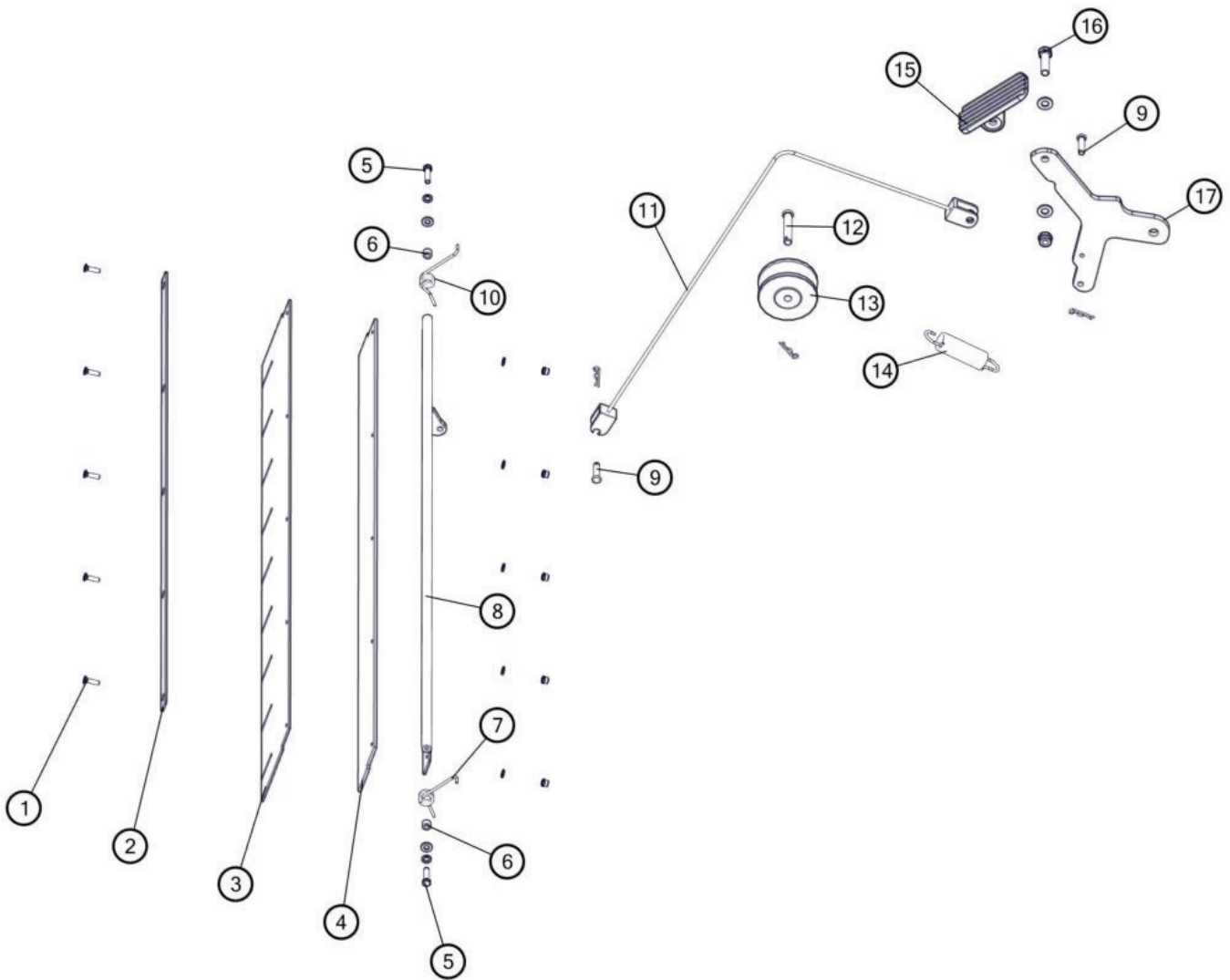


REAR WHEEL GROUP

| Ref. | Part No. | Serial Numbers | Description | Qty. |
|------|-----------|----------------|------------------------------------|------|
| 1 | TN5100076 | () | CAP, WHEEL, GRAY | 2 |
| 2 | CN4000945 | () | NUT, M20, SELF LOCKING | 2 |
| 2 | 32495 | () | WASHER [M20] | 2 |
| 3 | 12317 | () | SCREW, HEX, M10 X 1.50 X 30, SS | 12 |
| 3 | 39356 | () | WASHER, SPRING, M10 | 12 |
| 3 | 140036 | () | WASHER, .375, FLT, SS | 12 |
| 4 | CN5006463 | () | WHEEL, FRONT [300X100] | 2 |
| 5 | CN4000516 | () | BEARING, 6006 | 4 |
| 6 | TN4100407 | () | RING RETAINER [55] | 4 |
| 7 | TN5100348 | () | SHAFT, REAR, WHEEL, MNTG | 2 |
| 8 | TN5100349 | () | SPROCKET, REAR, WHEEL | 2 |
| 9 | 09023 | () | SCREW, HEX, M8 X 1.25 X 35, FL, SS | 12 |
| 9 | 32491 | () | WASHER, M8 | 24 |
| 9 | 39355 | () | WASHER, M8 WHITE | 12 |
| 9 | 08713 | () | NUT, HEX, LOCK, M8 X 1.25, NL, SS | 12 |

STANDARD PARTS

DEBRIS FLAP GROUP

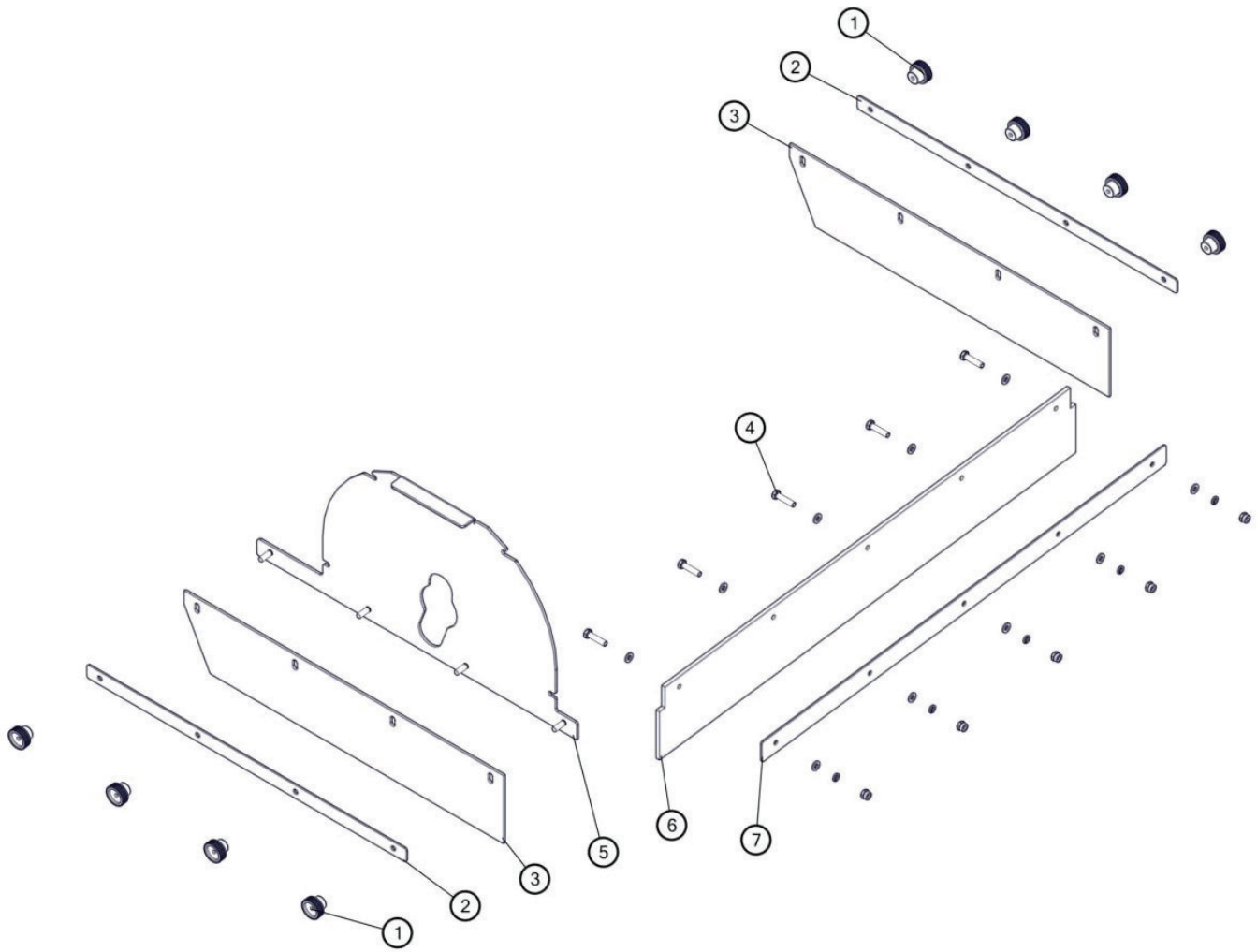


DEBRIS FLAP GROUP

| Ref. | Part No. | Serial Numbers | Description | Qty. |
|------|-----------|----------------|--|------|
| 1 | CN4000047 | (|) SCREW, FLT, M4X20, CROSS | 5 |
| 1 | 41579 | (|) WASHER, FLAT, 08, SS | 5 |
| 1 | 33932 | (|) NUT, HEX, LOCK, M4 X 0.70, NL, SS | 5 |
| 2 | CN5006359 | (|) STRIP, FRONT, RUBBER, MOUNTING | 1 |
| 3 | CN5006429 | (|) BLADE, RUBBER, FRONT [NR2] | 1 |
| 4 | CN5006430 | (|) BLADE, RUBBER, FRONT [NR1] | 1 |
| 5 | 09252 | (|) SCREW, SOC, M5 X 20 | 2 |
| 5 | CN4000404 | (|) WASHER, BELLEVILLE, M5 | 2 |
| 5 | 140011 | (|) WASHER, FLAT, 0.21B 0.45D .03, SS | 2 |
| 6 | CN5006440 | (|) SPACER, SPRING, DEBRIS, FLAP | 2 |
| 7 | CN4001177 | (|) SPRING, RBR, FRONT, RH | 1 |
| 8 | CN5006404 | (|) STRIP, MOUNTING, DEBRIS, TRAP, RUBBER | 1 |
| 9 | CN4000866 | (|) PIN, CLEVIS [6X25] | 2 |
| 9 | CN4000905 | (|) PIN, COTTER, 1.8X35 | 2 |
| 10 | CN4001176 | (|) SPRING, RBR, FRONT, LH | 1 |
| 11 | TN5100350 | (|) CABLE, DEBRIS, TRAP, LIFT | 1 |
| 12 | 81581 | (|) PIN, CLEVIS [8X45] | 1 |
| 12 | CN4000904 | (|) PIN, COTTER, 2X40 | 1 |
| 13 | CN5006472 | (|) SHEAVE, CABLE, DEBRIS, TRAP, LIFT | 1 |
| 14 | CN5006067 | (|) SPRING, EXTN, 20.0MMD 2.0MMWIR 98.0MML | 1 |
| 15 | TN5100383 | (|) PLATE, WLDT, FOOT, BRAKE, PEDAL (EMEA) | 1 |
| 16 | 76570 | (|) SCREW, HEX, M8 X 1.25 X 30, 8.8 | 1 |
| 16 | 32491 | (|) WASHER, M8 | 2 |
| 16 | 08713 | (|) NUT, HEX, LOCK, M8 X 1.25, NL, SS | 1 |
| 17 | 4235204 | (|) PLATE, PEDAL, FRONT RUBBER S960 (EMEA) | 1 |

STANDARD PARTS

DUST SKIRT GROUP

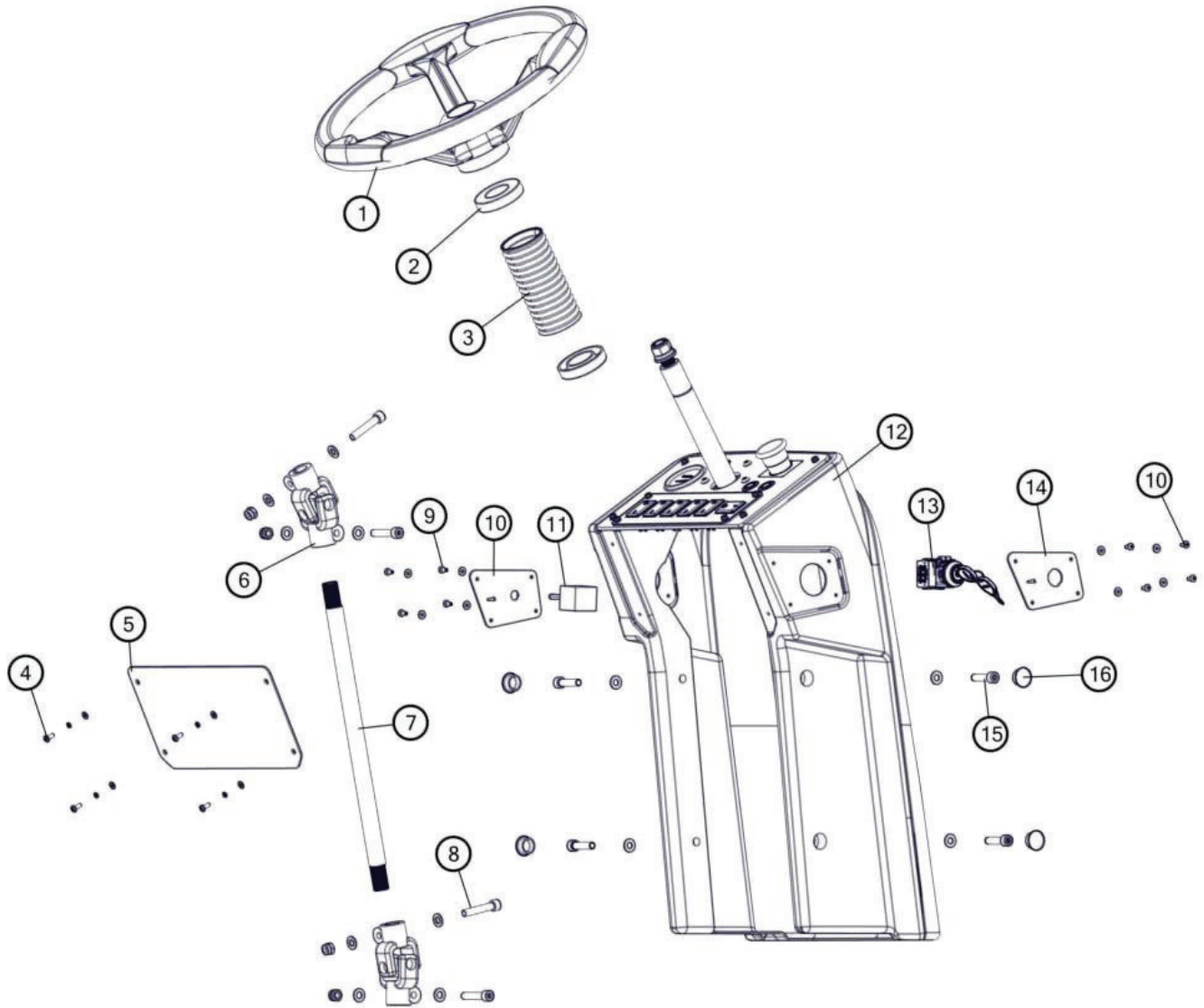


DUSK SKIRT GROUP

| Ref. | Part No. | Serial Numbers | Description | Qty. |
|------|-----------|----------------|-----------------------------------|------|
| 1 | CN5002122 | () | NUT, ADJUST [M6] | 8 |
| 2 | CN5006353 | () | STRIP, SIDE, RUBBER, MOUNTING | 2 |
| 3 | TN5100354 | () | BLADE, RUBBER, SIDE, SWEEP | 2 |
| 4 | 09007 | () | SCREW, HEX, M6 X 1.00 X 25, SS | 5 |
| 4 | 01684 | () | WASHER, M6 | 10 |
| 4 | 08160 | () | WASHER, M6 | 5 |
| 4 | 08712 | () | NUT, HEX, LOCK, M6 X 1.00, NL, SS | 5 |
| 5 | TN5100370 | () | COVER, MAIN, BRUSH | 1 |
| 6 | CN5006432 | () | BLADE, RUBBER, REAR | 1 |
| 7 | CN5006354 | () | STRIP, REAR, RUBBER, MOUNTING | 1 |

STANDARD PARTS

STEERING COLUMN GROUP

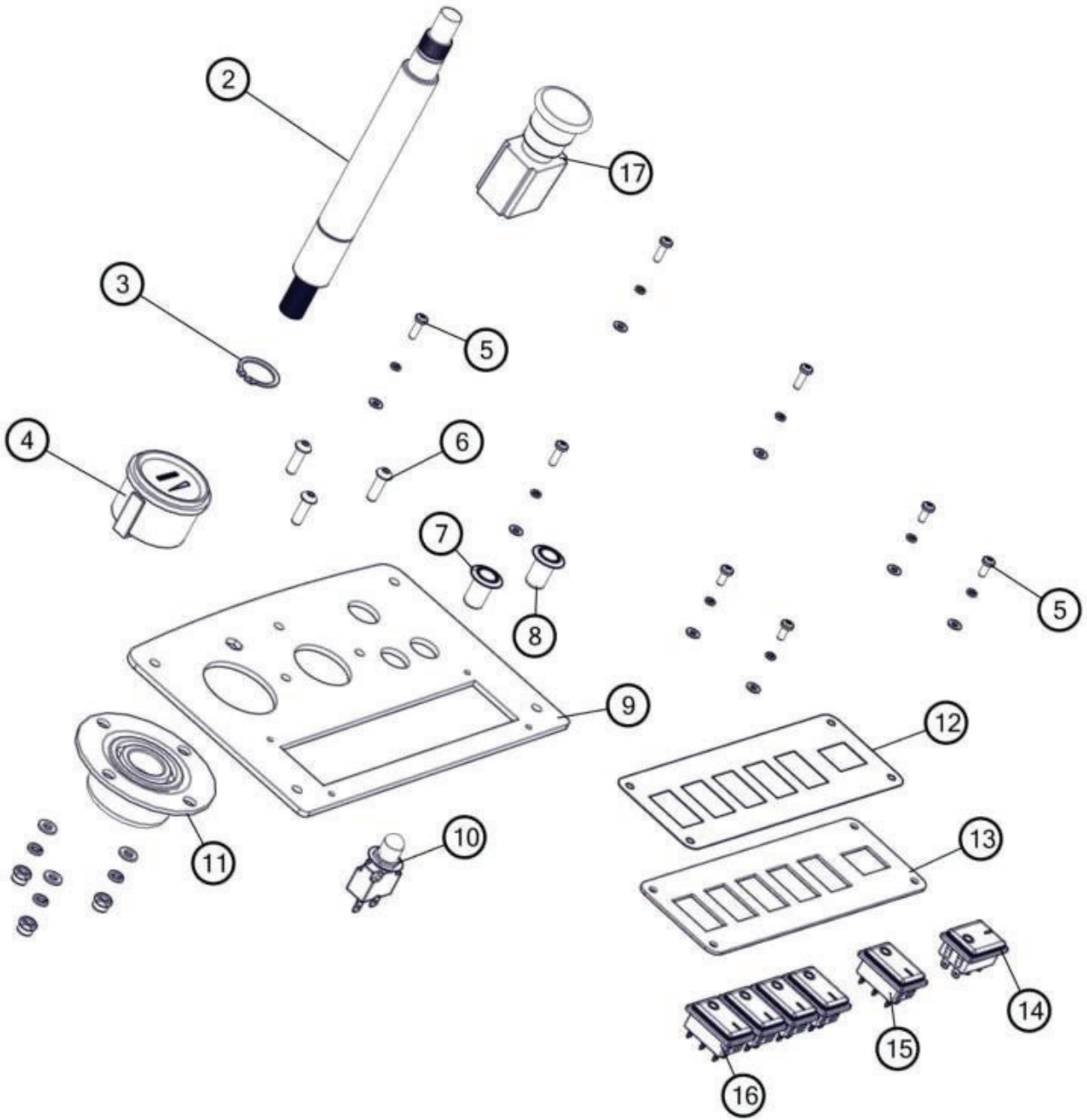


STEERING COLUMN GROUP

| Ref. | Part No. | Serial Numbers | Description | Qty. |
|------|-----------|----------------|------------------------------------|------|
| 1 | 4235191 | () | WHEEL, S960 EMEA | 1 |
| 2 | CN5002187 | () | RING, BELLOW, STEERING SHAFT | 2 |
| 3 | CN5002829 | () | BELLOWS, SHAFT, STEERING | 1 |
| 4 | CN4000038 | () | SCREW, PAN, PHL, M4 X 12 | 4 |
| 4 | CN4000403 | () | WASHER, BELLEVILLE, M4 | 4 |
| 4 | 41579 | () | WASHER, FLAT, 08, SS | 4 |
| 5 | TN5100392 | () | PANEL, ACCESS, STEERING, COLUMN | 1 |
| 6 | CN4000819 | () | JOINT, UNIVERSAL, AC | 2 |
| 7 | TN5100343 | () | SHAFT, STEERING, CONSOLE, LOWER | 1 |
| 8 | CN4000083 | () | BOLT, HEX, [M8X45] | 4 |
| 8 | 32491 | () | WASHER, M8 | 8 |
| 8 | 08713 | () | NUT, HEX, LOCK, M8 X 1.25, NL, SS | 4 |
| 9 | CN4000048 | () | SCREW, PHL ST4*10 | 8 |
| 9 | 41579 | () | WASHER, FLAT, 08, SS | 8 |
| 10 | CN5006384 | () | PLATE, SWITCH, DIRECTION, MNTG | 1 |
| 11 | CN5001536 | () | SWITCH, DIRECTION, TOGGLE | 1 |
| 11 | CN5001545 | () | CAP, WATERPROOF, SWITCH, DIRECTION | 1 |
| 12 | TN5100319 | () | SHROUD, FRONT | 1 |
| 13 | CN5007256 | () | SWITCH, LAS0- KE- 11YA/21B | 1 |
| 13 | CN5001519 | () | KEY, SWITCH, POWER | 1 |
| 14 | CN5006386 | () | PLATE, SWITCH, KEY, MNTG | 1 |
| 15 | 09023 | () | SCREW, HEX, M8X35, SS | 4 |
| 15 | 32491 | () | WASHER, M8 | 4 |
| 16 | CN5004764 | () | PLUG, CONSOLE [20MM,TEAL] | 4 |

STANDARD PARTS

CONTROL PANEL GROUP

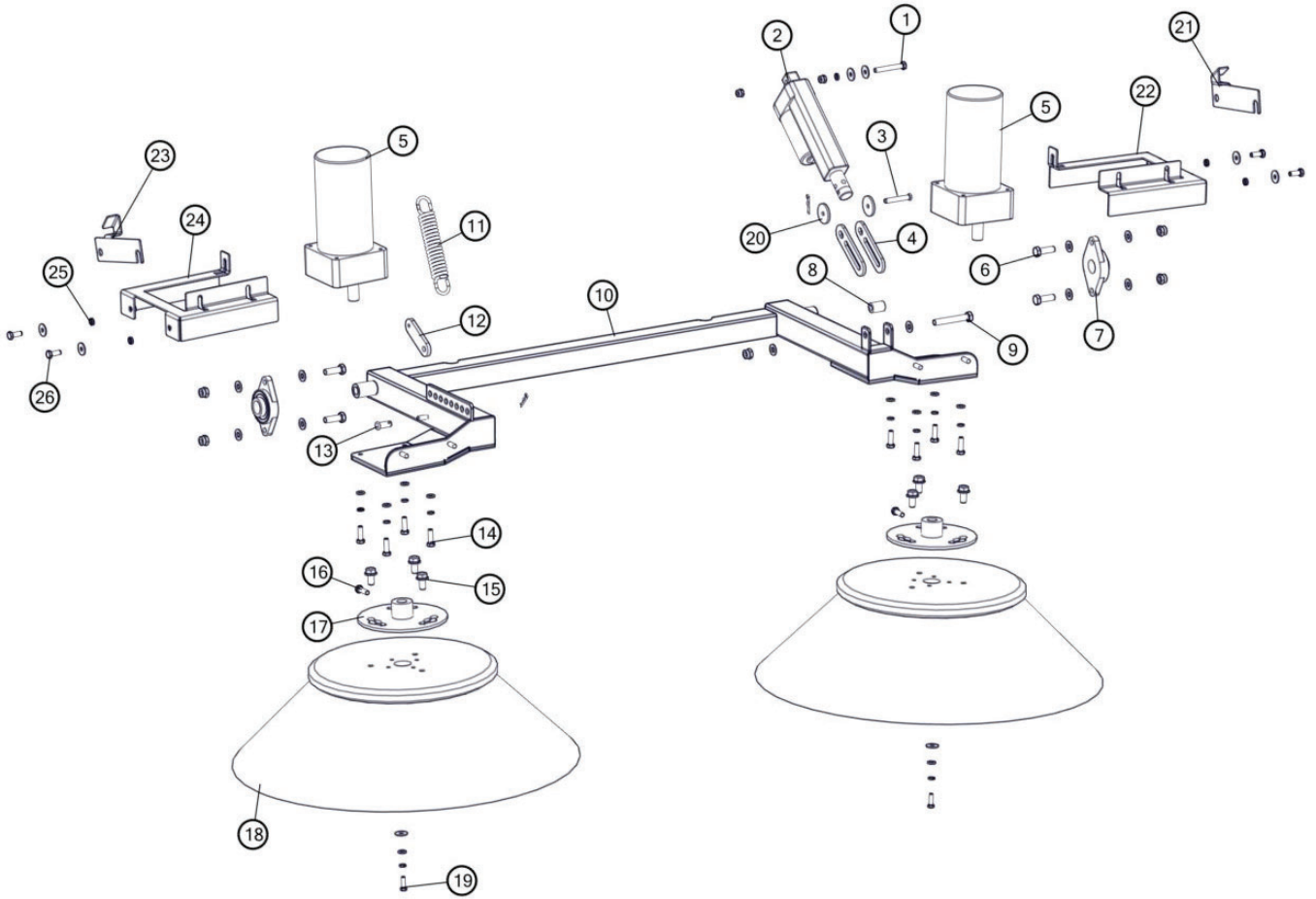


CONTROL PANEL GROUP

| Ref. | Parts no. | Serial Numbers | Description | Qty. |
|------|-----------|----------------|---------------------------------------|------|
| 1 | CN4001126 | () | NUT, PLAIN, M14 | 1 |
| 1 | CN4000411 | () | WASHER, SPRING [M14] | 1 |
| 1 | 77272 | () | WASHER, FLAT, 0.60B 1.31D .10, SS | 1 |
| 2 | TN5100344 | () | SHAFT, STEERING, CONSOLE, UPPER | 1 |
| 3 | CN4000485 | () | RING, RETAINING [D25MM] | 1 |
| 4 | CN5006049 | () | GAUGE, BATTERY [T260] | 1 |
| 4 | CN5006141 | () | LITHIUM BATTERY METER LVM1640DC24VCAN | 1 |
| 5 | CN4000038 | () | SCREW, PAN, PHL, M4 X 12 | 8 |
| 5 | CN4000403 | () | WASHER, BELLEVILLE, M4 | 8 |
| 5 | 41579 | () | WASHER, FLAT, 08, SS | 8 |
| 6 | CN4001030 | () | SCREW, PAN, PHL, M6 X 20 | 3 |
| 6 | 01684 | () | WASHER, M6 | 3 |
| 6 | 08160 | () | WASHER, M6 | 3 |
| 6 | 08712 | () | NUT, HEX, LOCK, M6 X 1.00, NL, SS | 3 |
| 7 | CN5001579 | () | SWITCH, HEAD, LIGHT | 1 |
| 8 | CN5001578 | () | SWITCH, MOMENTARY, HORN | 1 |
| 9 | 4235203 | () | PLATE, CONSOLE S960 EMEA | 1 |
| 10 | CN5001643 | () | FUSE, 5A | 1 |
| 11 | TN5100353 | () | BEARING [6205] | 1 |
| 12 | CN5006466 | () | LABEL, PANEL, INSTRUMENT | 1 |
| 13 | CN5006335 | () | PANEL, OPERATOR, BUTTON, MOUNTING | 1 |
| 14 | CN4001179 | () | SWITCH, DIRECTIONAL, LIGHT | 1 |
| 15 | CN5001553 | () | SWITCH, MAIN, BRUSH, FILTER, SHAKER | 1 |
| 16 | CN5007099 | () | SWITCH, ROCKER [RL2(P)- 22- 2- BK] | 4 |
| 17 | TN5100235 | () | SWITCH, SAFETY, SHUTOFF | 1 |

STANDARD PARTS

SIDE BRUSH GROUP

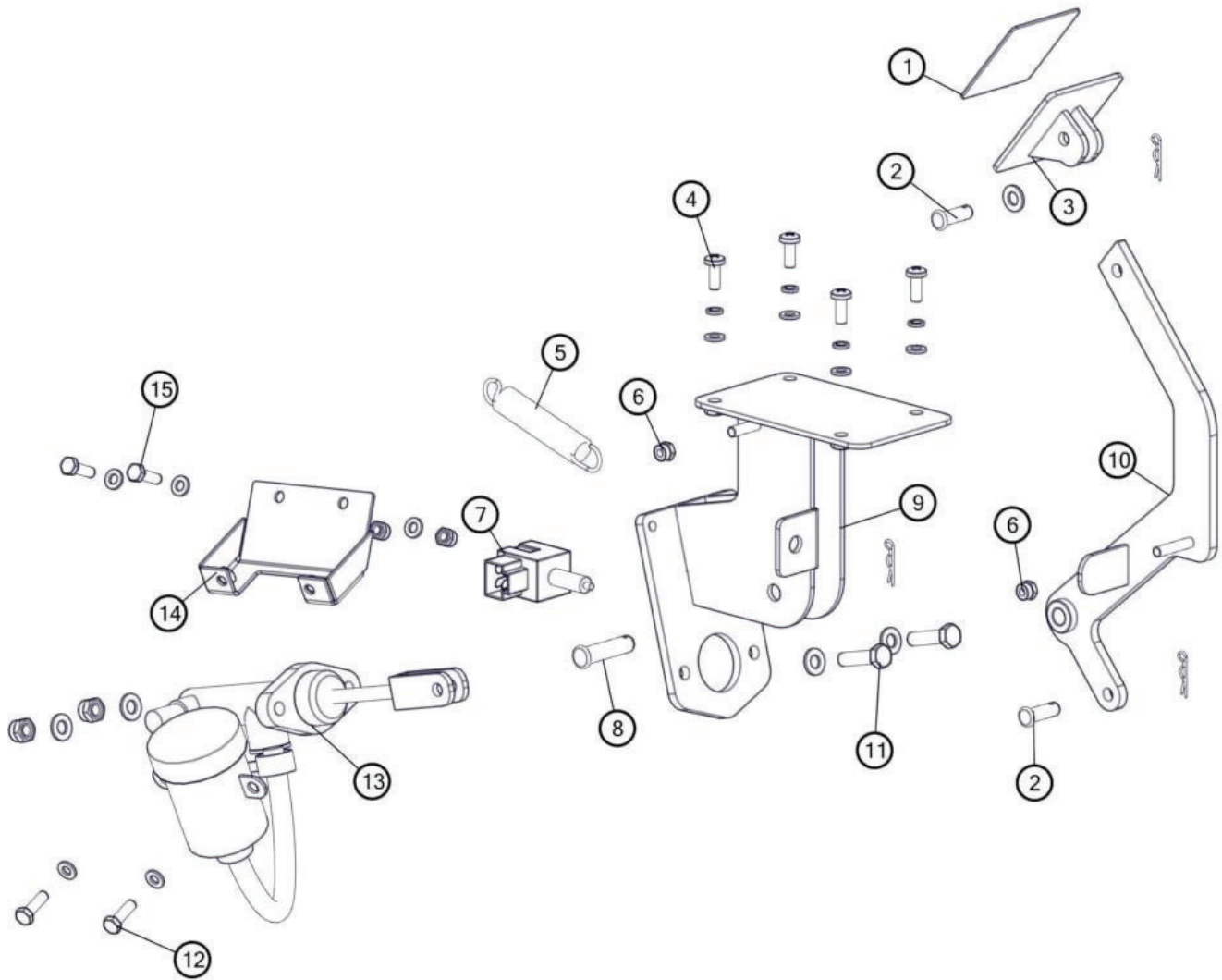


SIDE BRUSH GROUP

| Ref. | Part No. | Serial Numbers | Description | Qty. |
|------|-----------|----------------|---|------|
| 1 | 06948 | (|) SCREW, HEX, M6X45 | 1 |
| 1 | 01684 | (|) WASHER, FLAT, 0.27B 0.69D .05, SS | 2 |
| 1 | 08160 | (|) WASHER, M6 | 1 |
| 1 | 07785 | (|) NUT, HEX, STD, M6 X 1.00, SS | 1 |
| 1 | 08712 | (|) NUT, HEX, LOCK, M6 X 1.00, NL, SS | 1 |
| 2 | CN5006486 | (|) ACTUATOR, BRUSH, MAIN [48VDC] | 1 |
| 3 | 05283 | (|) PIN, CLEVIS [6X40MM] | 1 |
| 3 | 01684 | (|) WASHER, FLAT, 0.27B 0.69D .05, SS | 2 |
| 3 | CN4000905 | (|) PIN, COTTER, 1.8X35 | 1 |
| 4 | TN5100380 | (|) PLATE, LIFT, SIDE, BRUSH | 4 |
| 5 | 4235189 | (|) MOTOR, SIDE BRUSH, S960 EMEA | 2 |
| 6 | 09010 | (|) SCREW, HEX, M8 X 1.25 X 25, SS | 4 |
| 6 | 32491 | (|) WASHER, M8, D8.4*D16*1MM | 8 |
| 6 | 08713 | (|) NUT, HEX, LOCK, M8 X 1.25, NL, SS | 4 |
| 7 | CN4000548 | (|) BEARING, PL, AL [KFL004] | 2 |
| 8 | CN5006410 | (|) BUSHING, ABS, 8*14*20 | 1 |
| 9 | 222504 | (|) SCREW, HEX, M8X55 | 1 |
| 9 | 32491 | (|) WASHER, M8, D8.4*D16*1MM | 2 |
| 9 | 08713 | (|) NUT, HEX, LOCK, M8 X 1.25, NL, SS | 1 |
| 10 | 4235196 | (|) FRAME, SIDE BRUSH, S960 EMEA | 1 |
| 11 | TN5100355 | (|) SPRING, SIDE, BRUSH, LIFT | 1 |
| 12 | TN5100384 | (|) PLATE, SUPPORT, LIFT, SIDE, BRUSH | 1 |
| 13 | 386987 | (|) PIN, CLEVIS [8X20] | 1 |
| 13 | CN4000905 | (|) PIN, COTTER, 1.8X35 | 1 |
| 14 | 12277 | (|) SCREW, HEX, M6 X 1.00 X 20, NL, SS | 8 |
| 14 | 08160 | (|) WASHER, M6 | 8 |
| 14 | 01684 | (|) WASHER, M6 | 8 |
| 15 | CN4001210 | (|) BOLT, FLNG [M8X20,SS] | 6 |
| 16 | CN4001259 | (|) SCREW, SET M6*16 | 2 |
| 17 | CN5006406 | (|) HUB, SIDE, BRUSH | 2 |
| 18 | TN5100320 | (|) BRUSH, SIDE | 2 |
| 19 | TN5100320 | (|) BOLT, HEX, [M5X16] | 2 |
| 19 | CN4000404 | (|) WASHER, BELLEVILLE, M5 | 2 |
| 19 | 140011 | (|) WASHER, FLAT, 0.21B 0.45D .03, SS | 2 |
| 19 | 140053 | (|) WASHER, FLAT, 0.28B 0.88D .12, SS | 2 |
| 20 | CN5005227 | (|) GASKET, IMPELLER | 2 |
| 21 | 4235242 | (|) PLATE, CURTAIN LEFT | 1 |
| 22 | 4235243 | (|) PLATE, CURTAIN RIGHT | 1 |
| 23 | 4235244 | (|) COVER, SIDE BRUSH, LEFT, WELD (W/ NUT) | 1 |
| 24 | 4235245 | (|) COVER, SIDE BRUSH, RIGHT, WELD (W/ NUT) | 1 |
| 25 | 4235241 | (|) BUSH, SPACER | 2 |
| 26 | 15678 | (|) SCREW, HEX, M6 X 1.00 X 16, SS | 4 |
| 26 | 01684 | (|) WASHER, FLAT, 0.27B 0.69D .05, SS | 4 |

STANDARD PARTS

BRAKE PEDAL GROUP

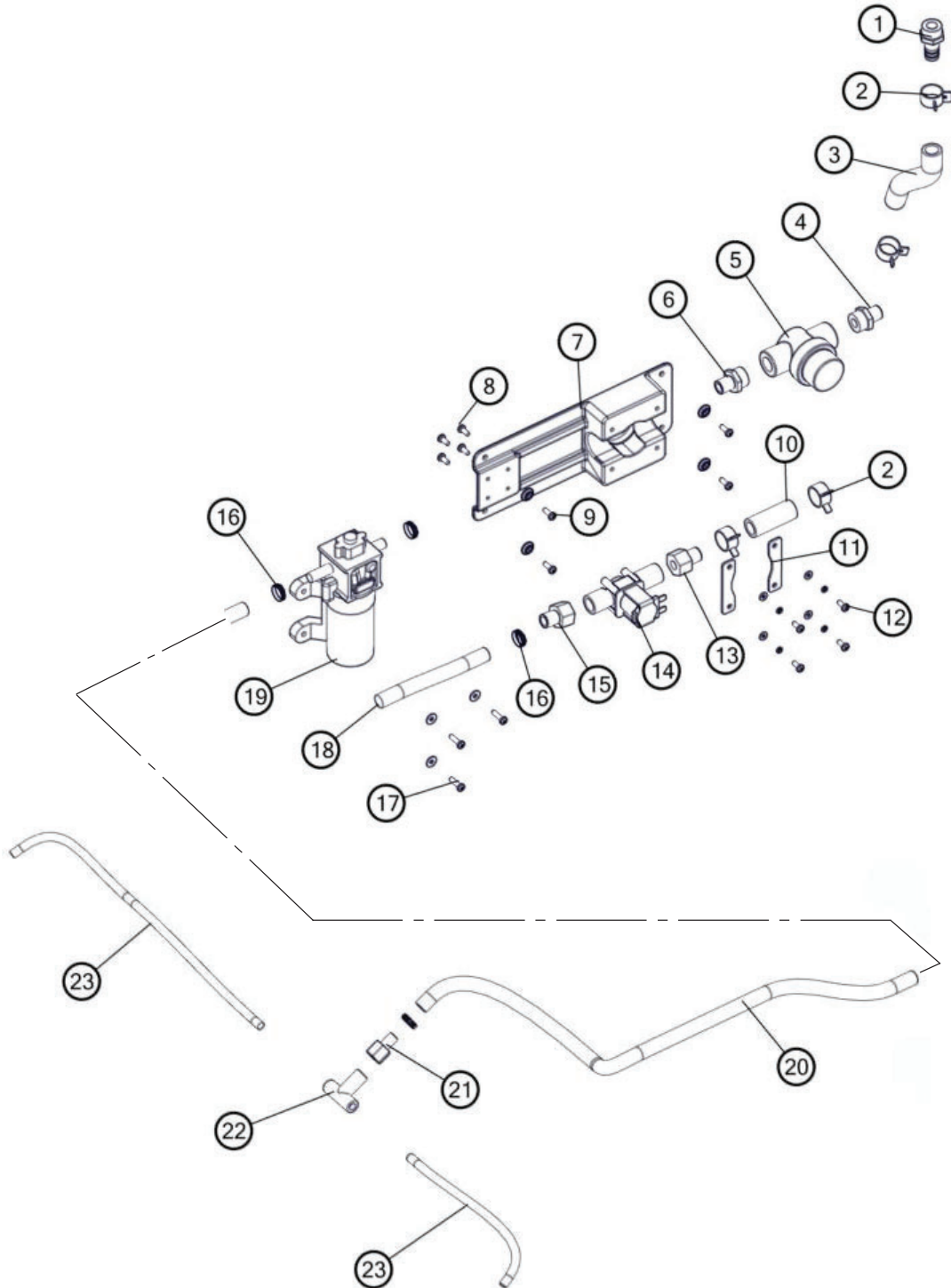


BRAKE PEDAL GROUP

| Ref. | Part No. | Serial Numbers | Description | Qty. |
|------|-----------|----------------|--|------|
| 1 | TN5100434 | () | PAD, ABBRASSIVE, BRAKE, PEDAL | 1 |
| 2 | 69582 | () | PIN, CLEVIS [8X25] | 2 |
| 2 | 32491 | () | WASHER, M8 | 1 |
| 2 | CN4000904 | () | PIN, COTTER, 2X40 | 2 |
| 3 | TN5100383 | () | PLATE, WLDT, FOOT, BRAKE, PEDAL | 1 |
| 4 | 367770 | () | SCREW, PAN, PHL, M6 X 1.00 X 16, SS | 4 |
| 4 | 08160 | () | WASHER, M6 | 4 |
| 4 | 01684 | () | WASHER, M6 | 4 |
| 5 | CN5006067 | () | SPRING, EXTN, 20.0MMD 2.0MMWIR 98.0MML | 1 |
| 6 | 08712 | () | NUT, HEX, LOCK, M6 X 1.00, NL, SS | 2 |
| 7 | CN5004460 | () | SWITCH, BRAKE, PARKING | 1 |
| 8 | CN4000880 | () | PIN, CLEVIS [9X50] | 1 |
| 8 | CN4000904 | () | PIN, COTTER, 2X40 | 1 |
| 9 | TN5100382 | () | BRACKET, WLDT, SUPPORT, BRAKE, PEDAL | 1 |
| 10 | TN5100365 | () | BRACKET, ARM, PEDAL, BRAKE, WLDT | 1 |
| 11 | 76570 | () | SCREW, HEX, M8 X 1.25 X 30, 8.8 | 2 |
| 11 | 32491 | () | WASHER, M8 | 4 |
| 11 | 08713 | () | NUT, HEX, LOCK, M8 X 1.25, NL, SS | 2 |
| 12 | 12277 | () | SCREW, HEX, M6 X 1.00 X 20, NL, SS | 1 |
| 12 | CN4000370 | () | WASHER, M6 | 1 |
| 13 | 4238099 | () | CYLINDER, HYD, REAR DRIVER [S960] | 2 |
| 14 | 4238212 | () | BRACKET, REAR- DRIVE, OIL TANK, S960 | 1 |
| 15 | 12277 | () | SCREW, HEX, M6 X 1.00 X 20, NL, SS | 2 |
| 15 | 01684 | () | WASHER, M6 | 4 |
| 15 | 08712 | () | NUT, HEX, LOCK, M6 X 1.00, NL, SS | 2 |

STANDARD PARTS

SOLUTION SYSTEM GROUP

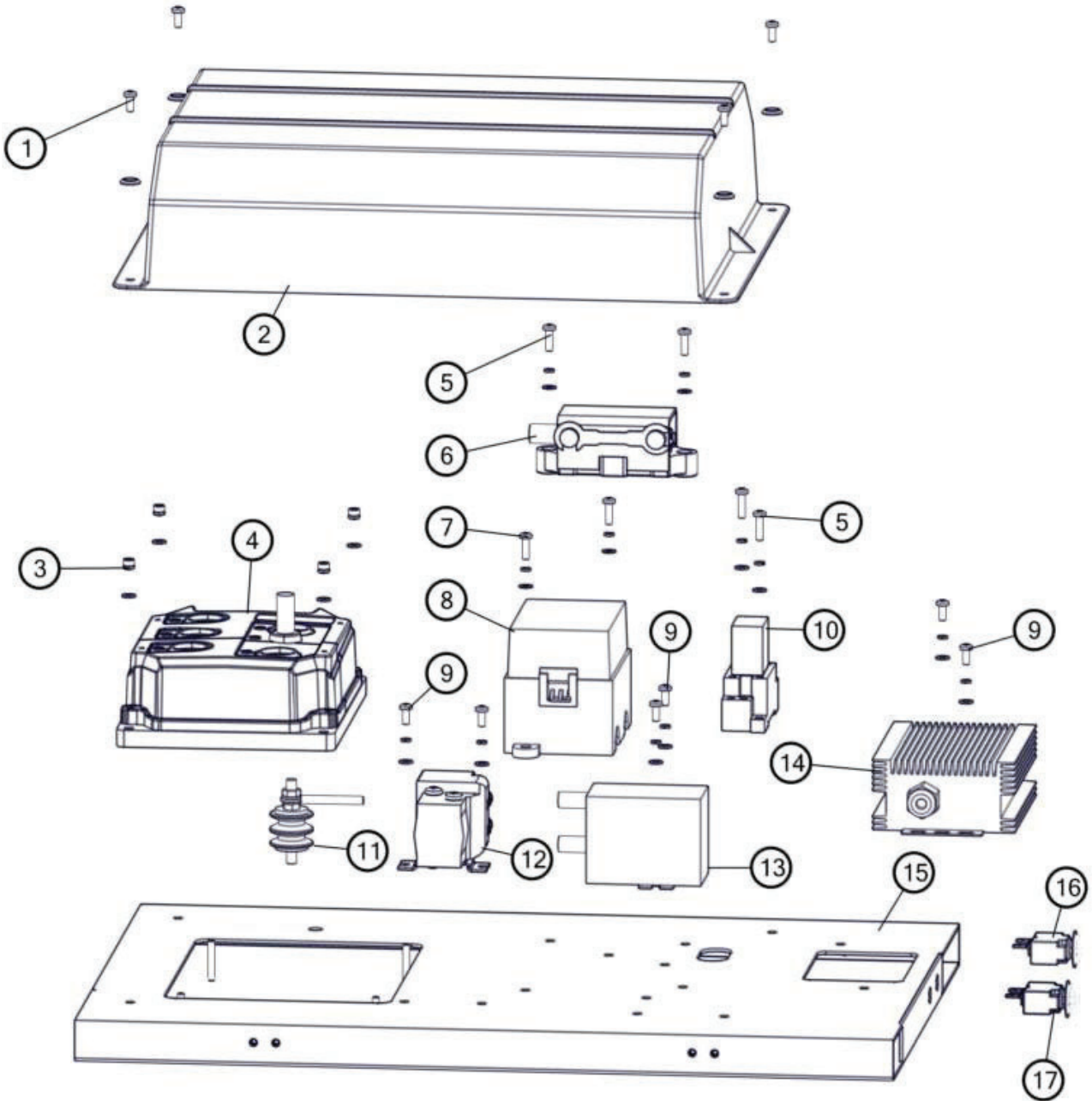


SOLUTION SYSTEM GROUP

| Ref. | Part No. | Serial Numbers | Description | Qty. |
|------|-----------|----------------|---|------|
| 1 | CN5001329 | () | FITTING, STRGT [G1/2X14] | 1 |
| 2 | CN4001023 | () | CLAMP, HOSE, 18MM | 4 |
| 3 | 4238226 | () | HOSE, SILICONE, 13MMID X 19MMOD (130MM) | 1 |
| 4 | CN5001388 | () | FITTING, STRGT [G3/8X14] | 1 |
| 5 | CN5004741 | () | FILTER, MESH | 1 |
| 6 | CN5006477 | () | BRACKET, SUPPORT, FILTER | 1 |
| 7 | CN4000048 | () | SCREW, PHL ST4*10 | 4 |
| 8 | CN5001396 | () | FITTING, STRGHT, G3/8, OD12 | 1 |
| 9 | CN4000038 | () | SCREW, PAN, PHL, M4 X 12 | 4 |
| 9 | CN5005283 | () | WASHER, NYL, BLK, 14.0MMD 4.5MMB 3.0MMT | 4 |
| 10 | 4238227 | () | HOSE, CLR, WATER TANK (65MM) | 1 |
| 11 | CN5005706 | () | PLATE, FILTER, MOUNTING | 2 |
| 12 | CN4000040 | () | SCREW, PAN, PHL, M4 X 10 | 4 |
| 12 | CN4000403 | () | WASHER, BELLEVILLE, M4 | 4 |
| 12 | 41579 | () | WASHER, FLAT, 08, SS | 4 |
| 13 | CN5007092 | () | FITTING, STRGHT, G1/8, OD10 | 1 |
| 14 | CN5007093 | () | SOLENOID VALVE, DC24V | 1 |
| 15 | CN5007092 | () | FITTING, STRGHT, G1/8, OD10 | 1 |
| 16 | 43844 | () | CLAMP, HOSE, WORMDRIVE, 0.25- 0.62D, .31W | 4 |
| 17 | CN4000036 | () | SCREW, PAN, PHL, M4 X 16 | 3 |
| 17 | 41579 | () | WASHER, FLAT, 08, SS | 3 |
| 18 | 4238229 | () | HOSE, CLR, WATER TANK (170MM) | 1 |
| 19 | CN5006492 | () | PUMP, WATER [24VDC] | 1 |
| 20 | 4238230 | () | HOSE, CLR, WATER TANK (850MM) | 1 |
| 21 | CN4001189 | () | FITTING, STRGT | 1 |
| 22 | CN4001192 | () | FITTING, TEE [OD1/4X8MM] | 1 |
| 23 | 4238231 | () | HOSE, BLACK [OD8MM X 750MM] | 1 |
| 23 | 4238232 | () | HOSE, BLACK [OD8MM X 600MM] | 1 |

STANDARD PARTS

ELECTRICAL COMPONENT GROUP

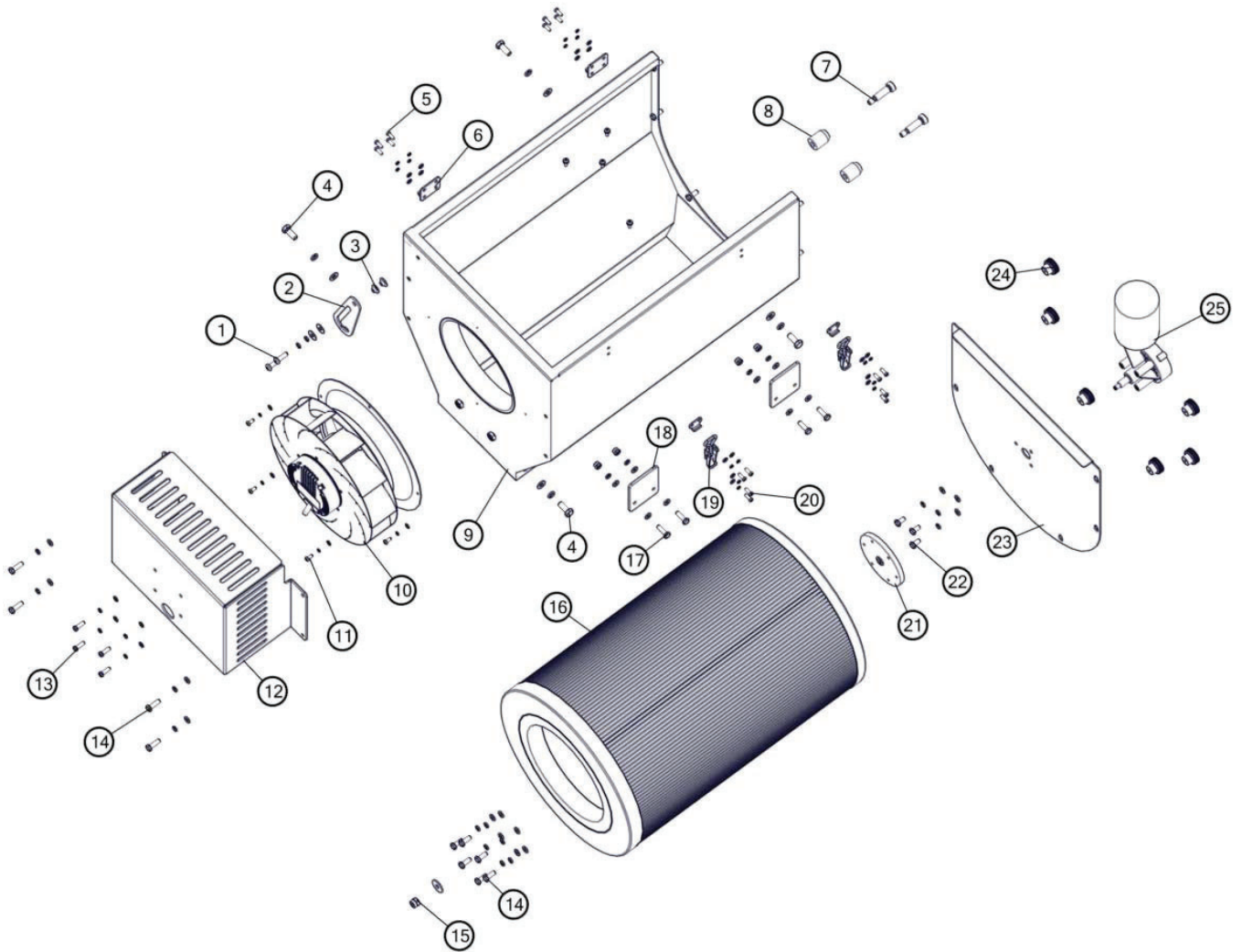


ELECTRICAL COMPONENT GROUP

| Ref. | Part No. | Serial Numbers | Description | Qty. |
|------|-----------|----------------|---|------|
| 1 | CN4000040 | () | SCREW, PAN, PHL, M4 X 10 | 4 |
| 1 | CN5005283 | () | WASHER, NYL, BLK, 14.0MMD 4.5MMB 3.0MMT | 4 |
| 2 | CN5006471 | () | COVER, SYSTEM, ELECTRICAL | 1 |
| 3 | 33932 | () | NUT, HEX, LOCK, M4 X 0.70, NL, SS | 4 |
| 3 | CN4000367 | () | WASHER, M4 | 4 |
| 4 | 4235206 | () | CONTROLLER, MOTOR [PVM48S20] S960 | 1 |
| 5 | 12323 | () | SCREW, PAN, PHL, M4 X 0.70 X 20, SS | 4 |
| 5 | CN4000403 | () | WASHER, BELLEVILLE, M4 | 4 |
| 5 | 41579 | () | WASHER, FLAT, 08, SS | 4 |
| 6 | CN5001636 | () | FUSE, 100A | 1 |
| 7 | CN4000036 | () | SCREW, PAN, PHL, M4 X 16 | 2 |
| 7 | CN4000403 | () | WASHER, BELLEVILLE, M4 | 2 |
| 7 | 41579 | () | WASHER, FLAT, 08, SS | 2 |
| 8 | CN5006407 | () | BOX, ELECTRIC, ASSY [FUSES,RELAYS] | 1 |
| 8 | CN5004454 | () | FUSE, REPL [3A] | 1 |
| 8 | CN5006408 | () | FUSE, REPL [10A] | 2 |
| 8 | CN5006421 | () | RELAY, FLASHER [12V/24V] | 1 |
| 8 | CN5004932 | () | RELAY, [HFE80V- 20/450- 24, HTQ2AJ] | 1 |
| 9 | CN4000194 | () | SCREW, PAN, PHL, M4 X 14 | 6 |
| 9 | CN4000403 | () | WASHER, BELLEVILLE, M4 | 6 |
| 9 | 41579 | () | WASHER, FLAT, 08, SS | 6 |
| 10 | CN5004826 | () | RELAY, OMRON LY2N- J DC24 | 1 |
| 10 | CN5004827 | () | RELAY BASE, OMRON PTF08A- E | 1 |
| 10 | CN5004828 | () | RELAY LOCK, OMRON PYC- A1 | 2 |
| 11 | CN5001698 | () | KNOB, HEAD | 1 |
| 12 | CN5001703 | () | CONTACTOR, SW60- 40P | 1 |
| 13 | CN5001707 | () | GM130 DC CONTACTOR, SU80- 5332P | 1 |
| 14 | CN5006488 | () | CONVERTER [48VDC- 24VDC] | 1 |
| 15 | TN5100388 | () | PLATE, WLDT, BASE, ELEC | 1 |
| 16 | CN5004452 | () | CIRCUIT BREAKER, 10A | 1 |
| 17 | CN5001647 | () | FUSE, 25A | 1 |

STANDARD PARTS

DUST FILTER GROUP

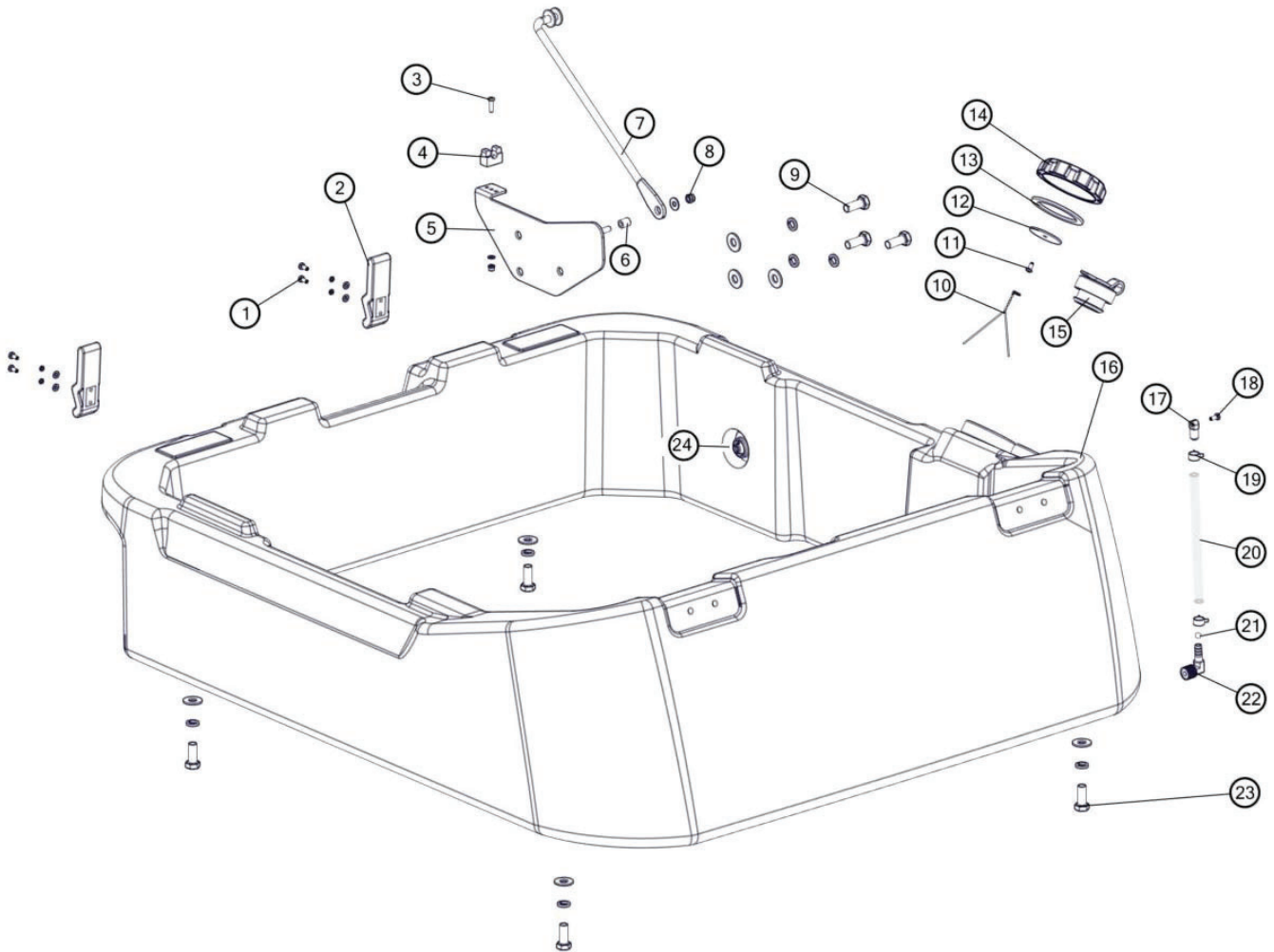


DUST FILTER GROUP

| Ref. | Part No. | Serial Numbers | Description | Qty. |
|------|-----------|----------------|-------------------------------------|------|
| 1 | 367770 | () | SCREW, PAN, PHL, M6 X 1.00 X 16, SS | 2 |
| 1 | 08160 | () | WASHER, M6 | 2 |
| 1 | 01684 | () | WASHER, FLAT, 0.27B 0.69D .05, SS | 2 |
| 2 | CN5006396 | () | SUPPORT, FILTER, BOX, COVER | 1 |
| 3 | CN5000794 | () | SLEEVE, LATCH, TANK | 2 |
| 4 | 09740 | () | SCREW, HEX, M8 X 1.25 X 20, SS | 4 |
| 4 | 39355 | () | WASHER, M8 WHITE | 4 |
| 4 | 32491 | () | WASHER, M8 | 4 |
| 5 | CN4000038 | () | SCREW, PAN, PHL, M4 X 12 | 8 |
| 5 | CN4000403 | () | WASHER, BELLEVILLE, M4 | 8 |
| 5 | 41579 | () | WASHER, FLAT, 08, SS | 8 |
| 6 | CN4001198 | () | HINGE,COVER,DUSTBOX | 2 |
| 7 | TN4100406 | () | PLUG SCREW 10*30*M8 | 2 |
| 8 | TN5100360 | () | SPACER, FILTER, BOX | 2 |
| 9 | TN5100389 | () | BOX, FILTER, WLDT | 1 |
| 10 | TN5100333 | () | MOTOR, VACUUM, FAN | 1 |
| 11 | CN4000042 | () | SCREW, PAN, M4X8, LRG, CROSS | 4 |
| 11 | CN4000403 | () | WASHER, BELLEVILLE, M4 | 4 |
| 11 | 41579 | () | WASHER, FLAT, 08, SS | 4 |
| 12 | 4235202 | () | PLATE, FIX FAN S960 EMEA | 1 |
| 13 | 12316 | () | SCREW, HEX, M5X25 | 4 |
| 13 | CN4000404 | () | WASHER, BELLEVILLE, M5 | 4 |
| 13 | 140011 | () | WASHER, FLAT, 0.21B 0.45D .03, SS | 4 |
| 14 | 15678 | () | SCREW, HEX, M6 X 1.00 X 16, SS | 10 |
| 14 | 08160 | () | WASHER, M6 | 10 |
| 14 | 01684 | () | WASHER, M6 | 10 |
| 15 | 08713 | () | NUT, HEX, LOCK, M8 X 1.25, NL, SS | 1 |
| 15 | 01685 | () | WASHER, M8 | 1 |
| 16 | TN5100357 | () | CARTRIDGE, FILTER, ROUND [500- 320] | 1 |
| 17 | 12277 | () | SCREW, HEX, M6 X 1.00 X 20, NL, SS | 4 |
| 17 | 01684 | () | WASHER, M6 | 8 |
| 17 | 08160 | () | WASHER, M6 | 4 |
| 17 | 08712 | () | NUT, HEX, LOCK, M6 X 1.00, NL, SS | 4 |
| 18 | CN5006433 | () | PLATE, FILTER, SHAKER [PU] | 2 |
| 19 | CN4001174 | () | LATCH, FILTER, BOX, COVER | 2 |
| 20 | CN4000038 | () | SCREW, PAN, PHL, M4 X 12 | 8 |
| 20 | CN4000403 | () | WASHER, BELLEVILLE, M4 | 8 |
| 20 | 41579 | () | WASHER, FLAT, 08, SS | 8 |
| 21 | CN5006405 | () | FLANGE, SHAKER, MOTOR | 1 |
| 22 | CN4000169 | () | SCREW, HEX, M6X14, SS | 3 |
| 22 | 08160 | () | WASHER, M6 | 3 |
| 22 | 01684 | () | WASHER, M6 | 3 |
| 23 | TN5100385 | () | PANEL, FILTER, BOX, SIDE | 1 |
| 24 | CN5002122 | () | NUT, ADJUST [M6] | 6 |
| 25 | CN5006487 | () | MOTOR, FILTER, SHAKER, ECCENTRIC | 1 |

STANDARD PARTS

SOLUTION TANK GROUP

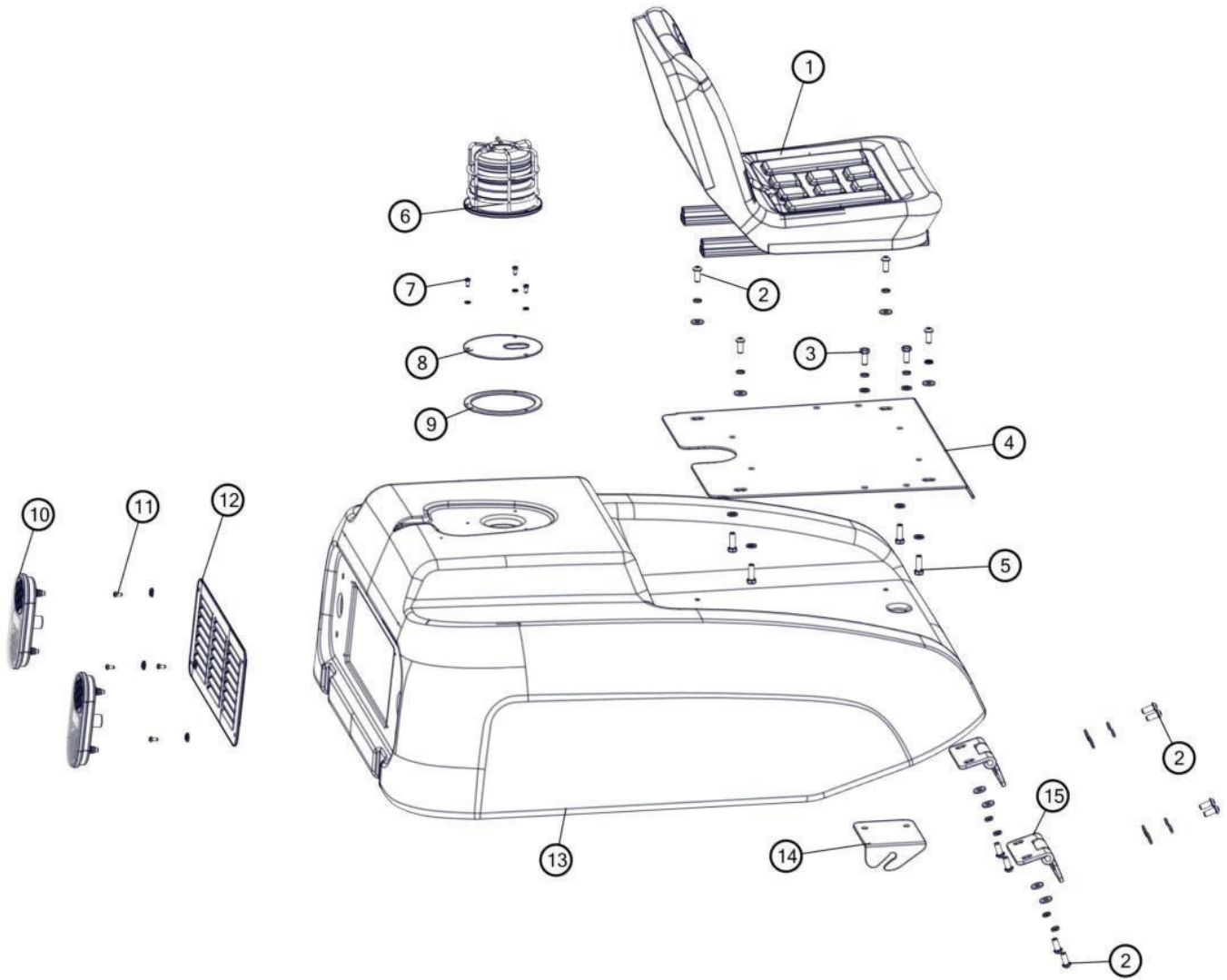


SOLUTION TANK GROUP

| Ref. | Part No. | Serial Numbers | Description | Qty. |
|------|-----------|----------------|--|------|
| 1 | CN4000038 | () | SCREW, PAN, PHL, M4 X 12 | 4 |
| 1 | CN4000403 | () | WASHER, BELLEVILLE, M4 | 4 |
| 1 | 41579 | () | WASHER, FLAT, 08, SS | 4 |
| 2 | TN5100270 | () | ELASTIC BUCKLE WITH INNER BUCKLE | 2 |
| 3 | 12323 | () | SCREW, PAN, PHL, M4 X 0.70 X 20, SS | 1 |
| 3 | 41579 | () | WASHER, FLAT, 08, SS | 1 |
| 3 | 33932 | () | NUT, HEX, LOCK, M4 X 0.70, NL, SS | 1 |
| 4 | CN4000434 | () | BRACKET, SEAT, SUPPORT, ROD | 1 |
| 5 | TN5100445 | () | BRACKET, ROD, SUPPORT, TOP, SHROUD | 1 |
| 6 | TN5100446 | () | BRASS BUSHING 6*10*12 | 1 |
| 7 | TN5100423 | () | ROD, SUPPORT, TOP SHROUD, SEAT | 1 |
| 8 | 08712 | () | NUT, HEX, LOCK, M6 X 1.00, NL, SS | 1 |
| 8 | 01684 | () | WASHER, FLAT, 0.27B 0.69D .05, SS | 1 |
| 9 | 09740 | () | SCREW, HEX, M8 X 1.25 X 20, SS | 3 |
| 9 | 39355 | () | WASHER, M8 WHITE | 3 |
| 9 | 01685 | () | WASHER, M8 | 3 |
| 10 | CN5001274 | () | SPRING, RETAINER, TANK, CAP | 1 |
| 10 | CN4000781 | () | CHAIN | 1 |
| 11 | CN4000048 | () | SCREW, PHL ST4*10 | 1 |
| 11 | 41579 | () | WASHER, FLAT, 08, SS | 1 |
| 12 | CN5002065 | () | HOLDER, WATER CAP, SEAL | 1 |
| 13 | CN5002303 | () | GASKET, SEAL, CAP, WATER TANK | 1 |
| 14 | CN5002064 | () | CAP, WATER TANK | 1 |
| 15 | CN5002188 | () | CAP, AUTOFILL, WATER TANK | 1 |
| 16 | TN5100318 | () | TANK, WATER [TEAL] | 1 |
| 17 | CN5002029 | () | FITTING | 1 |
| 18 | 49697 | () | SCREW, PAN, PHL, M4 X 0.70 X 10, SS | 1 |
| 19 | CN4001008 | () | CLAMP, HOSE | 2 |
| 20 | 4238233 | () | HOSE, SILICONE, 8MMID X 12MMOD (200MM) | 1 |
| 21 | CN5002145 | () | FLOAT, LEVEL, RED, 6MM | 1 |
| 22 | CN5001384 | () | FITTING, BRS, E90 | 1 |
| 23 | 09010 | () | SCREW, HEX, M8 X 1.25 X 25, SS | 4 |
| 23 | 39355 | () | WASHER, M8 WHITE | 4 |
| 23 | 01685 | () | WASHER, M8 | 4 |
| 24 | TN5100328 | () | HARNESS, CHARGING, SOCKET | 1 |

STANDARD PARTS

TOP SHROUD GROUP

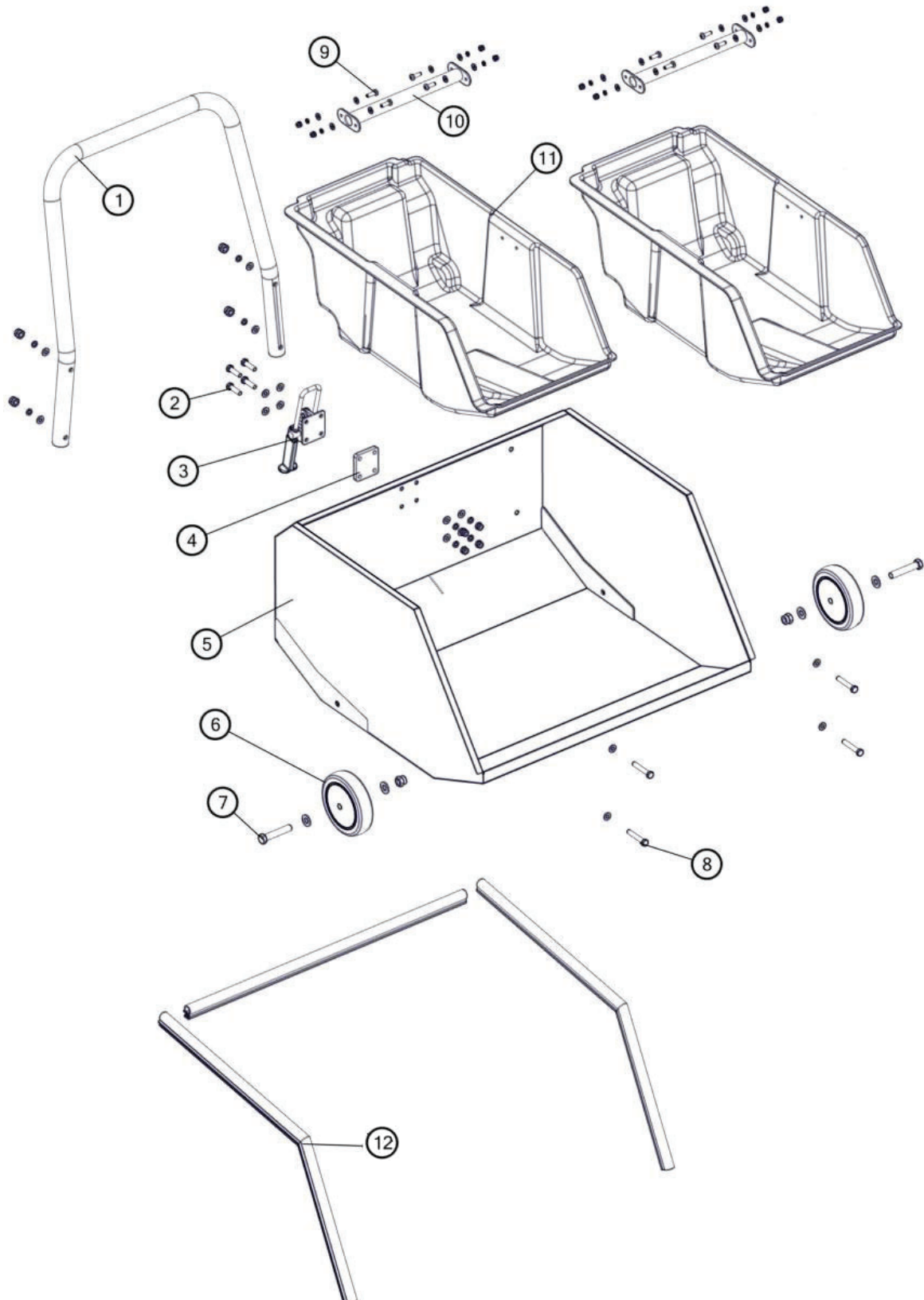


TOP SHROUD GROUP

| Ref. | Part No. | Serial Numbers | Description | Qty. |
|------|-----------|----------------|---------------------------------------|------|
| 1 | 4235207 | () | SEAT, SWPR, LIVE LOCK S960 EMEA | 1 |
| 2 | CN4000202 | () | SCREW, HEX, M8X20 | 12 |
| 2 | 39355 | () | WASHER, M8 WHITE | 12 |
| 2 | 01685 | () | WASHER, M8 | 12 |
| 3 | 09740 | () | SCREW, HEX, M8 X 1.25 X 20, SS | 2 |
| 3 | 39355 | () | WASHER, M8 WHITE | 2 |
| 3 | 32491 | () | WASHER, M8 | 2 |
| 4 | TN5100386 | () | PANEL, SEAT, SUPPORT, WLDT | 1 |
| 5 | 15675 | () | SCREW, HEX, M8 X 1.25 X 16, SS | 4 |
| 5 | 32491 | () | WASHER, M8 | 8 |
| 5 | 39355 | () | WASHER, M8 WHITE | 4 |
| 5 | 08713 | () | NUT, HEX, LOCK, M8 X 1.25, NL, SS | 4 |
| 6 | CN5003475 | () | LIGHT, FLASHING | 1 |
| 7 | CN4000038 | () | SCREW, PAN, PHL, M4 X 12 | 3 |
| 7 | 41579 | () | WASHER, FLAT, 08, SS | 3 |
| 8 | CN5006389 | () | PLATE, FLASH, LIGHT, MNTG | 1 |
| 9 | CN4001186 | () | GASKET, WARNING, LIGHT | 1 |
| 10 | CN5006490 | () | LIGHT, REAR [24VDC, INCL BRAKE LIGHT] | 2 |
| 11 | CN4000038 | () | SCREW, PAN, PHL, M4 X 12 | 4 |
| 11 | 41579 | () | WASHER, FLAT, 08, SS | 4 |
| 12 | CN5006476 | () | PANEL, AIR, OUTLET, LOUVER | 1 |
| 13 | TN5100317 | () | SHROUD, TOP, SEAT | 1 |
| 14 | TN5100391 | () | BRACKET, SHROUD, SUPPORT, ROD | 1 |
| 15 | TN4100456 | () | HINGE, GRAY [T360] | 2 |

STANDARD PARTS

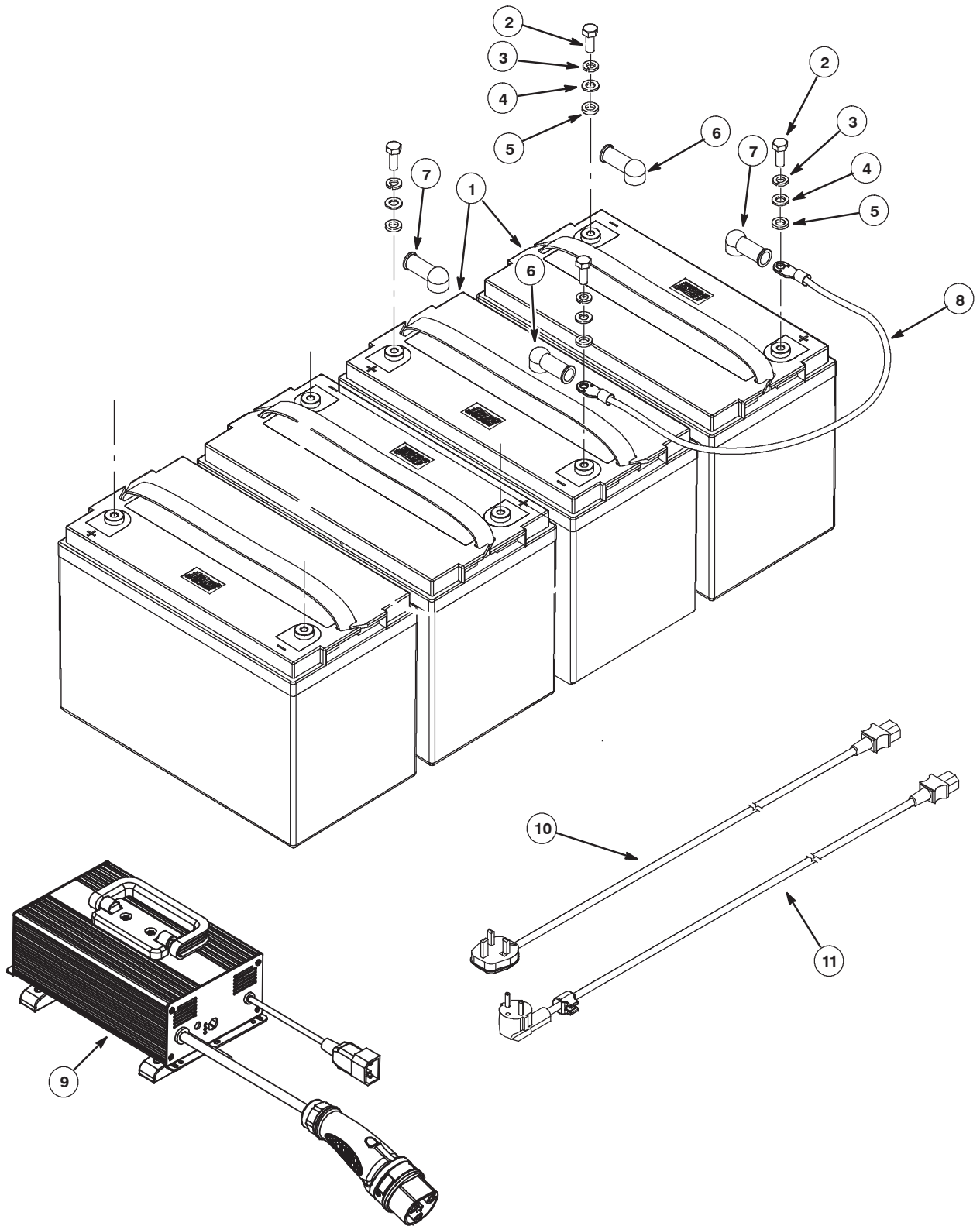
HOPPER GROUP



HOPPER GROUP

| Ref. | Part No. | Serial Numbers | Description | Qty. |
|------|-----------|----------------|---|------|
| 1 | TN5100339 | () | HANDLE, HOPPER | 1 |
| 2 | 76570 | () | SCREW, HEX, M8 X 1.25 X 30, 8.8 | 4 |
| 2 | 32491 | () | WASHER, M8 | 8 |
| 2 | 39355 | () | WASHER, M8 WHITE | 4 |
| 2 | 08713 | () | NUT, HEX, LOCK, M8 X 1.25, NL, SS | 4 |
| 3 | CN4001173 | () | LATCH, HOPPER | 1 |
| 4 | TN5100440 | () | PLATE, WLDT, LATCH, HOPPER | 1 |
| 5 | TN5100374 | () | HOPPER, DEBRIS | 1 |
| 6 | TN4100405 | () | WHEEL, HOPPER [5"] | 2 |
| 7 | CN4000192 | () | BOLT, HEX, [M10X65] | 2 |
| 7 | 140036 | () | WASHER, .375, FLT, SS | 4 |
| 7 | 08714 | () | NUT, HEX, LOCK, M10 X 1.5, NL, SS | 2 |
| 8 | 33401 | () | SCREW, HEX, M8 X 1.25 X 50, FL, SS | 4 |
| 8 | 32491 | () | WASHER, M8 | 8 |
| 8 | 39355 | () | WASHER, M8 WHITE | 4 |
| 8 | 08713 | () | NUT, HEX, LOCK, M8 X 1.25, NL, SS | 4 |
| 9 | 12277 | () | SCREW, HEX, M6 X 1.00 X 20, NL, SS | 8 |
| 9 | 01684 | () | WASHER, M6 | 16 |
| 9 | 08160 | () | WASHER, M6 | 8 |
| 9 | 08712 | () | NUT, HEX, LOCK, M6 X 1.00, NL, SS | 8 |
| 10 | TN5100422 | () | HANDLE, HOPPER, INTERN, WLDT | 2 |
| 11 | TN5100356 | () | HOPPER, DEBRIS, INSERT | 2 |
| 12 | 4238234 | () | SEALING STRIP W17 H30 CAL 1-3.5 (750MM) | 2 |
| 12 | 4238236 | () | SEALING STRIP W17 H30 CAL 1-3.5 (800MM) | 1 |

BATTERY AND CHARGER GROUP

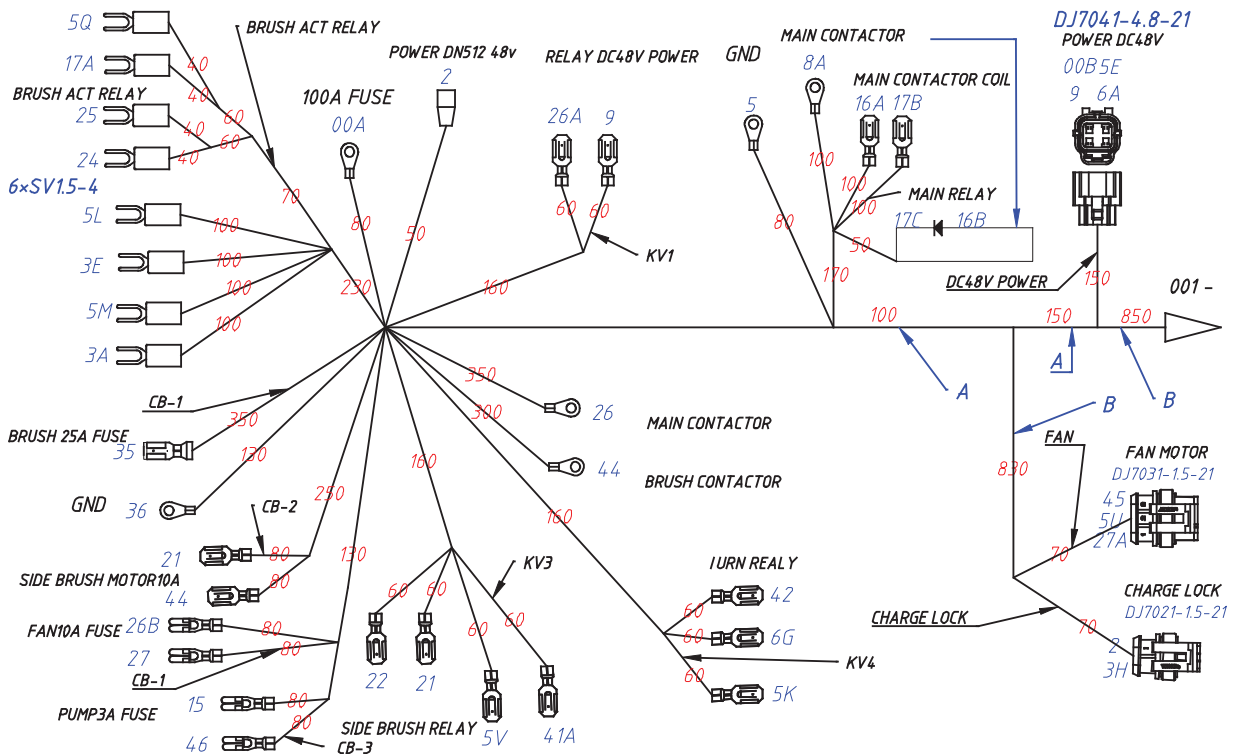
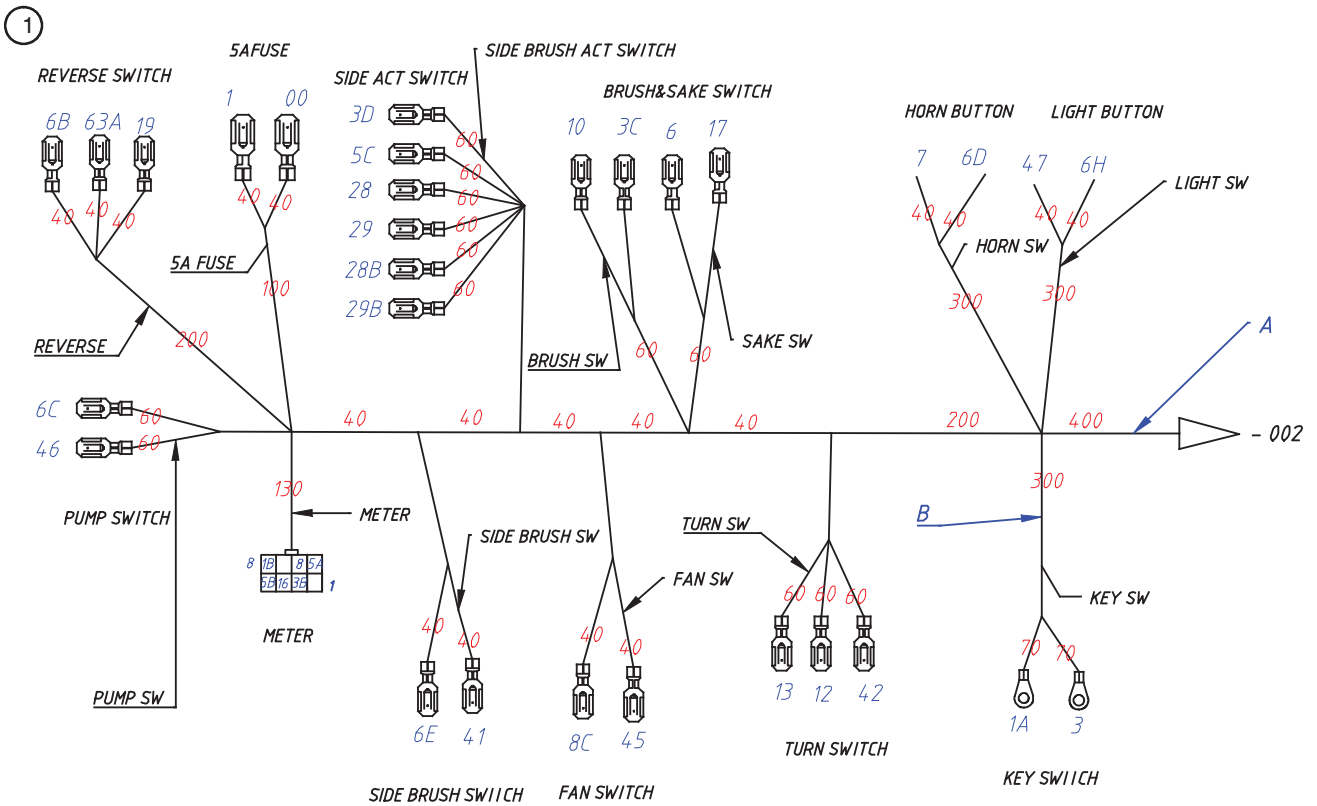


BATTERY AND CHARGER GROUP

| Ref. | Part No. | Serial Numbers | Description | Qty. |
|------|-----------|----------------|---------------------------------|------|
| 1 | 1274853 | () | BATTERY,AGM,12VDC,120AH [LEOCH] | 4 |
| 2 | 09740 | () | SCREW, HEX, M8 X 1.25 X 20, SS | 8 |
| 3 | 39355 | () | WASHER, LOCK, INT, M8 | 8 |
| 4 | 39355 | () | WASHER, FLAT, 0.31, STD | 8 |
| 5 | CN5000789 | () | PAD, BATTERY, BOOSTER | 8 |
| 6 | CN5002221 | () | BOOT, TERMINAL, BATTERY (BLACK) | 4 |
| 7 | CN5002220 | () | BOOT, TERMINAL, BATTERY (RED) | 4 |
| 8 | 4235180 | () | HARNESS, BRIDGE BATTERY [S960] | 3 |
| 9 | 4235170 | () | CHARGER, 48VDC15A, 100~240VAC | 1 |
| 10 | 1044068 | () | CORD, POWER, BLK [2.5METER, CE] | 1 |
| 11 | 1044069 | () | CORD, POWER, BLK [2.5METER, UK] | 1 |

STANDARD PARTS

WIRE HARNESS GROUP



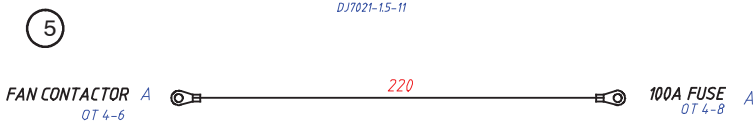
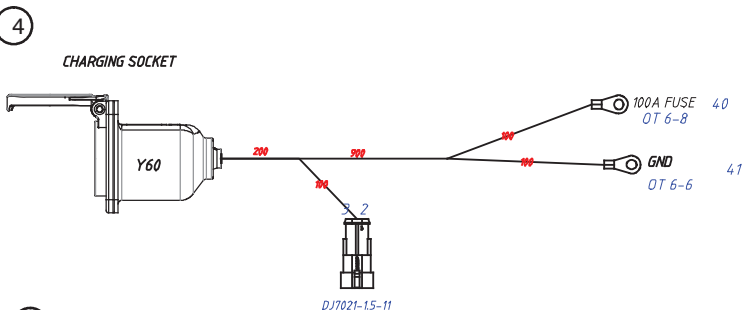
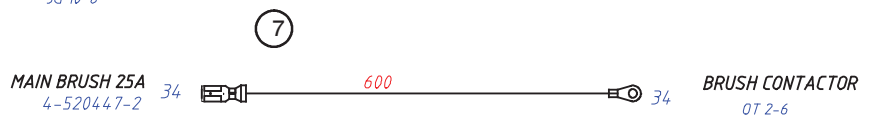
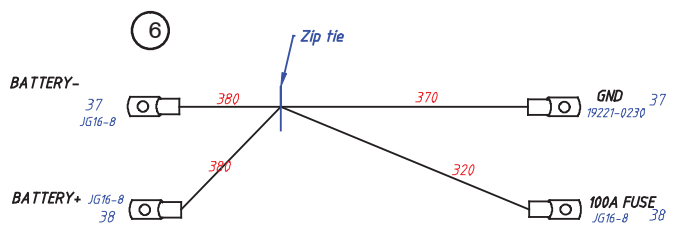
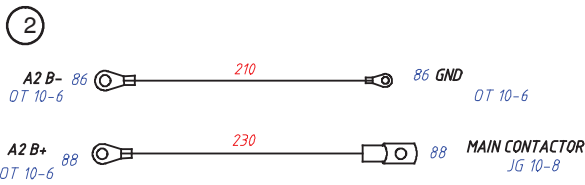
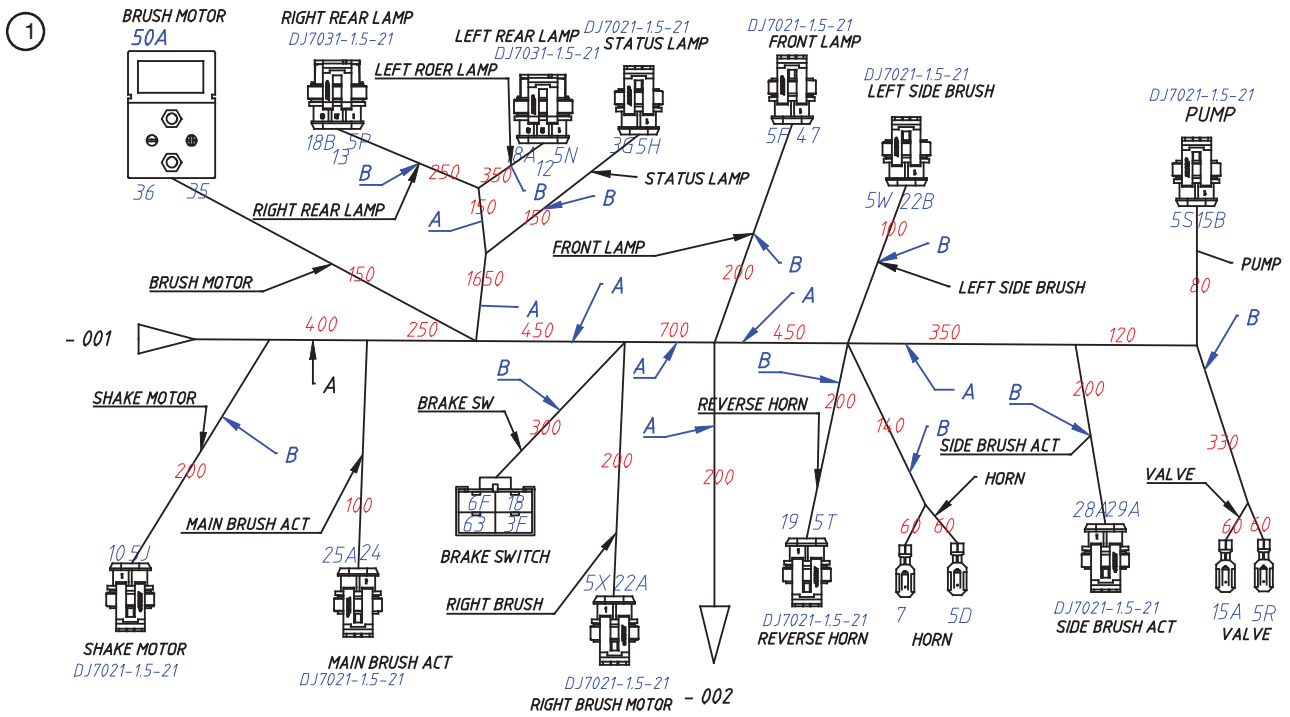
STANDARD PARTS

WIRE HARNESS GROUP

| Ref. | Part No. | Serial Numbers | Description | Qty. |
|-------------|-----------------|-----------------------|--------------------|-------------|
| 1 | 4235178 | (|) HARNESS, MAIN | 1 |

STANDARD PARTS

WIRE HARNESS GROUP - Continued

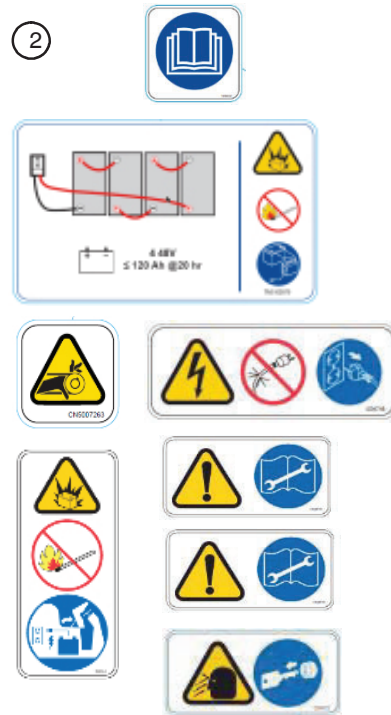


WIRE HARNESS GROUP - Continued

| Ref. | Part No. | Serial Numbers | Description | Qty. |
|------|-----------|----------------|---------------------------------|------|
| 1 | 4235178 | () | HARNESS, MAIN | 1 |
| 2 | TN5100326 | () | HARNESS, CONTROLLER, CONNECTION | 1 |
| 3 | TN5100327 | () | HARNESS, FUSE 100A, MAIN RELAY | 1 |
| 4 | TN5100328 | () | HARNESS, CHARGING, SOCKET | 1 |
| 5 | CN5005462 | () | HARNESS, CONNECTION, VAC, MOTOR | 1 |
| 6 | 4235181 | () | HARNESS, BATTERY, CONNECTION | 1 |
| 7 | CN5006498 | () | HARNESS, MAIN BRUSH, CONNECTION | 1 |

STANDARD PARTS

LABEL GROUP



| Ref. | Part No. | Serial Numbers | Description | Qty. |
|------|----------|----------------|----------------------------------|------|
| 1 | 4237954 | () | LABEL, OPERATION, KIT, S960 EMEA | 1 |
| 2 | 4237953 | () | LABEL, SAFETY, KIT, S960 EMEA | 1 |

DOCUMENTATION GROUP

| Part No. | Document Description |
|----------|---------------------------------|
| 4235182 | GUIDE, QUICK START [S960, EMEA] |
| 4235487 | MANUAL, OPRTR [S960, EMEA, BG] |
| 4235488 | MANUAL, OPRTR [S960, EMEA, CZ] |
| 4235489 | MANUAL, OPRTR [S960, EMEA, DE] |
| 4235490 | MANUAL, OPRTR [S960, EMEA, DK] |
| 4235491 | MANUAL, OPRTR [S960, EMEA, EE] |
| 4235492 | MANUAL, OPRTR [S960, EMEA, EN] |
| 4235493 | MANUAL, OPRTR [S960, EMEA, ES] |
| 4235494 | MANUAL, OPRTR [S960, EMEA, FI] |
| 4235495 | MANUAL, OPRTR [S960, EMEA, FR] |
| 4235496 | MANUAL, OPRTR [S960, EMEA, GR] |
| 4235497 | MANUAL, OPRTR [S960, EMEA, HR] |
| 4235498 | MANUAL, OPRTR [S960, EMEA, HU] |
| 4235499 | MANUAL, OPRTR [S960, EMEA, IT] |
| 4235500 | MANUAL, OPRTR [S960, EMEA, LT] |
| 4235501 | MANUAL, OPRTR [S960, EMEA, LV] |
| 4235502 | MANUAL, OPRTR [S960, EMEA, NL] |
| 4235503 | MANUAL, OPRTR [S960, EMEA, NO] |
| 4235504 | MANUAL, OPRTR [S960, EMEA, PL] |
| 4235505 | MANUAL, OPRTR [S960, EMEA, PT] |
| 4235506 | MANUAL, OPRTR [S960, EMEA, RO] |
| 4235507 | MANUAL, OPRTR [S960, EMEA, RU] |
| 4235508 | MANUAL, OPRTR [S960, EMEA, SE] |
| 4235509 | MANUAL, OPRTR [S960, EMEA, SK] |
| 4235510 | MANUAL, OPRTR [S960, EMEA, SL] |
| 4235511 | MANUAL, OPRTR [S960, EMEA, TR] |
| 4235172 | WALL CHART [S960] |
| 7007591 | MANUAL, PARTS [S960] |
| 7007592 | MANUAL, SERVICE [S960, EN] |



To view, print, or download the latest Parts manual, other language Operator manuals, and Use and Care Guides (wall charts), visit:

www.tennantco.com/manual

ELECTRICAL DIAGRAM

