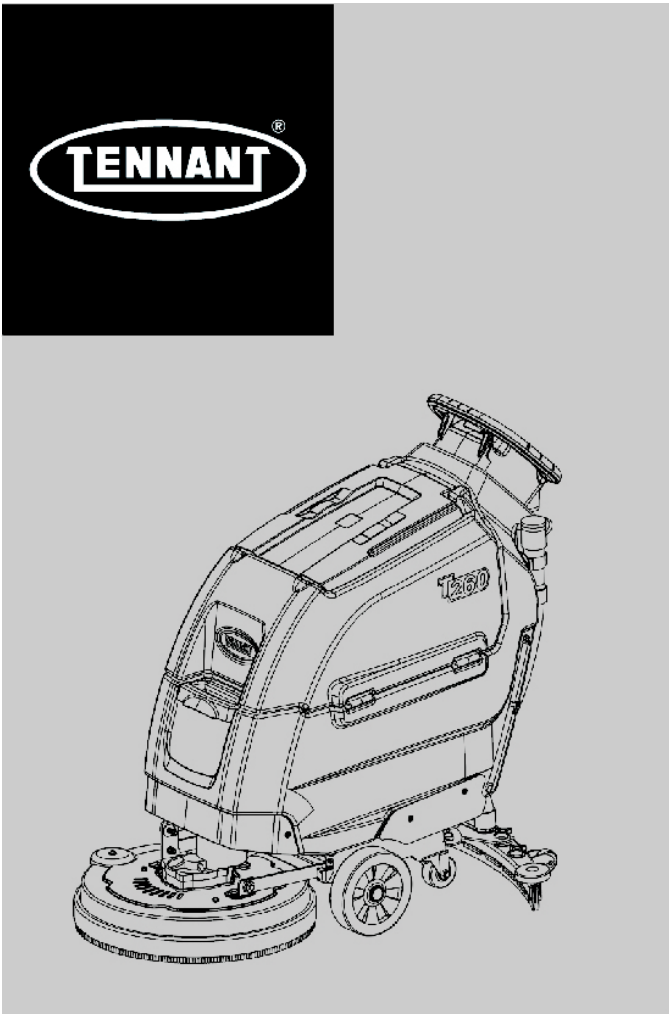




# T260

Walk-behind Floor Scrubber

## Parts Manual



Model Part No.:

TN8001017- SCRUBBER [ T260 50CM, EU W/O BATT/CHRGR]

9030080- SCRUBBER [ T260 50CM, EU W/ BATT/CHRGR]

9030082- SCRUBBER [ T260 50CM, UK W/ BATT/CHRGR]

**TennantTrue® Parts**

## Europe



To view, print or download  
the parts manual, visit:

[www.tennantco.com/manuals](http://www.tennantco.com/manuals)

**9030083**  
**Rev. 00 (05-2025)**

## STANDARD PARTS

---

WEAR PARTS .....	2
SERVICE PARTS .....	3
BRUSHES / PAD DRIVER AND PADS, 50 CM / 20 IN DISK .....	4
BATTERY AND CHARGER GROUP .....	5
MAIN FRAME GROUP .....	6
ELECTRICAL GROUP .....	8
CONTROL PANEL GROUP .....	10
WHEEL ASSEMBLY .....	12
MOTOR ASSEMBLY .....	14
SOLUTION TANK GROUP .....	16
SCRUB HEAD GROUP .....	18
HOSE GROUP .....	20
RECOVERY TANK GROUP .....	22
SQUEEGEE ADJUSTMENT GROUP .....	24
SQUEEGEE LIFT GROUP .....	26
SQUEEGEE ASSEMBLY, 50 CM / 20 IN .....	28

# RECOMMENDED MAINTENANCE ITEMS

## WEAR PARTS

Ref.	Part No.	Mfr. Date	Description	Qty.
▽	9015731	( )	Blade Kit, 500mm, Linatex (Standard)	1
▲	1203953	( )	Blade, Sqge, Rear, 836l, Linatex[500mm] (Standard)	1
▲	1203954	( )	Blade, Sqge, Front, 788l, Linatex[500mm] (Standard)	1
▽	9015732	( )	Blade Kit, 500mm, Urethane (Optional)	1
▲	1215609	( )	Blade, Sqge, Rear, 836l, Urethane[500mm] (Optional)	1
▲	1215611	( )	Blade, Sqge, Front, 788l, Urethane[500mm] (Optional)	1
▽	9015730	( )	Blade Kit, 500mm, Gum (Optional)	1
▲	1215610	( )	Blade, Sqge, Rear, 836l, Gum[500mm] (Optional)	1
▲	1215612	( )	Blade, Sqge, Front, 788l, Gum[500mm] (Optional)	1
	1016811	( )	Brush Assy, Disk, Scb, 20.0d, Pyp	1
	1016810	( )	Brush Assy, Disk, Scb, 20.0d, Nyl	1
	1016805	( )	Brush Assy, Disk, Scb, 20.0d, Abr	1
	1225721	( )	Driver Assy, Pad, 50cm, Brush, 3 Lug	1
	994539	( )	Pad, Polish, 20.0/510, White [5pc]	1
	994540	( )	Pad, Buff, 20.0d /510, Red [5pc]	1
	994541	( )	Pad, Scb, 20.0inch /510, Blu [5pc]	1
	994542	( )	Pad, Strip, 20.0/510, Brown[1pick=5pads]	1
	994543	( )	Pad, 20.0/510 [3m, Hi- Pro, 5pc]	1

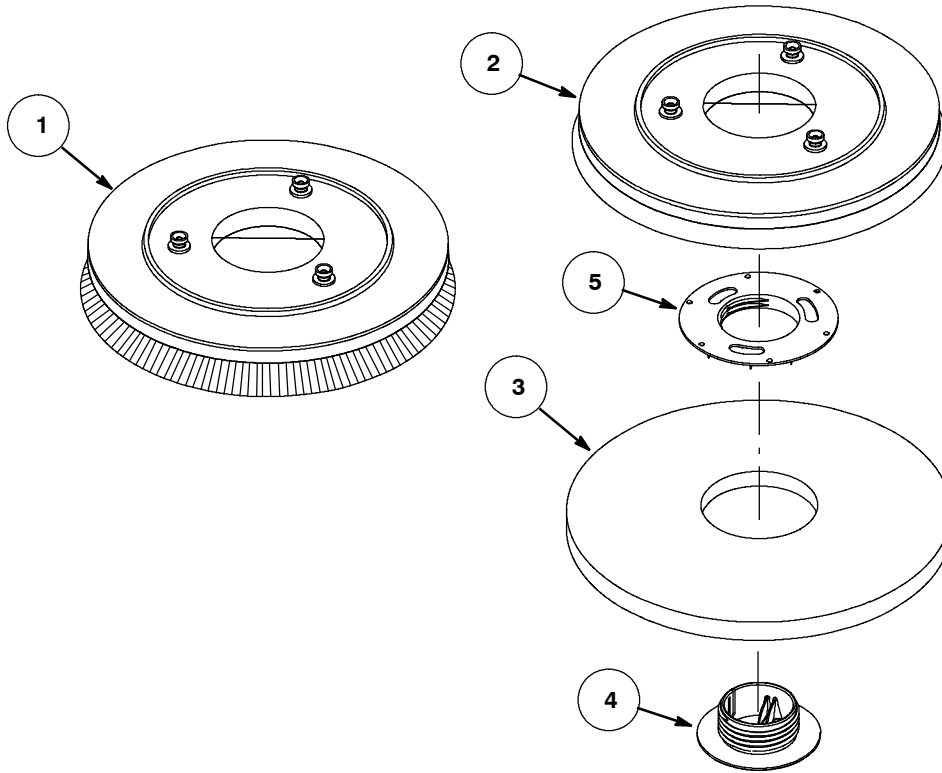
# RECOMMENDED MAINTENANCE ITEMS

## SERVICE PARTS

Ref.	Part No.	Mfr. Date	Description	Qty.
▽	CN5002458	( )	Fan, Vacuum	1
▲	CN5001828	( )	Brush, Motor	1
▽	CN5005651	( )	Motor, Ele	1
▲	CN5001828	( )	Brush, Motor	1
	1010560	( )	Wheel, Bmpr, 80d X 25w, Non- Marking	1
	CN5001643	( )	Fuse, 5a	1
	CN5001647	( )	Fuse, 25a	1
	CN5001644	( )	Fuse, 30a	1
	CN5006221	( )	Cap, Hub, Dust, 28.5mmd 10.8mml	1
	9014409	( )	Kit, Cvr, Fill, Ci [Ce]	1
	CN5002145	( )	Float, Level, Red, 6mm	1
	1011403	( )	Hose, Afmkt, Pvc, Brd, 0.50id, 01ft, Clr	2
	1015025	( )	Hose, Afmkt, Pvc, Brd, 0.62id, 02ft, Clr	1
	1052336	( )	Hose, Afmkt, Pvc, Brd, 0.31id, 03ft, Clr	1
	CN5002836	( )	Hose, Sqge, Rear, 38mm Dia	1
	CN5006234	( )	Tray, Debris, Tank, Soltn	1
	CN5005711	( )	Tray, Debris, Tank, Recvy	1
	CN5004741	( )	Filter, Mesh	1
	CN4000673	( )	Seal, Washer, 42.0mmd 22.0mb 11mml	1
	CN5003686	( )	Gasket	1
	CN5006246	( )	Seal, Strip, 420mm X 18mm X 7mm	1
	CN5006241	( )	Cover, Skirt, Brush	1
	CN5004736	( )	Valve, Ball	1
	CN4000699	( )	Caster, Swivel	1
	630477	( )	Wheel, Pyu, 02.0d 0.38w, Gray	1
	CN5006078	( )	Shaft Wldt, Axle	1
	CN5002310	( )	Wheel, 200.0mmd 50.0mmw 42.0mmb	1
	1274853	( )	Battery,Agm,12vdc,120ah [Leoch]	2
	9030081	( )	Charger, Kit, 24vdc [T260,Am,Emea]	1
	1044068	( )	Cord, Power, Blk [2.5meter, Kor/Ce]	1
	1044069	( )	Cord, Power, Blk [2.5meter, Uk]	1
	CN5003089	( )	Sensor, Level, Liq	1
	CN5001636	( )	Fuse,100a	1
	CN5002833	( )	Hose Assy, Drain, 38mmd 990mml	1
	CN5005723	( )	Cover, Debris, Tank, Recvy	1
▽	CN5001518	( )	Gm50b General Power Switch	1
▲	CN5001519	( )	Key	1

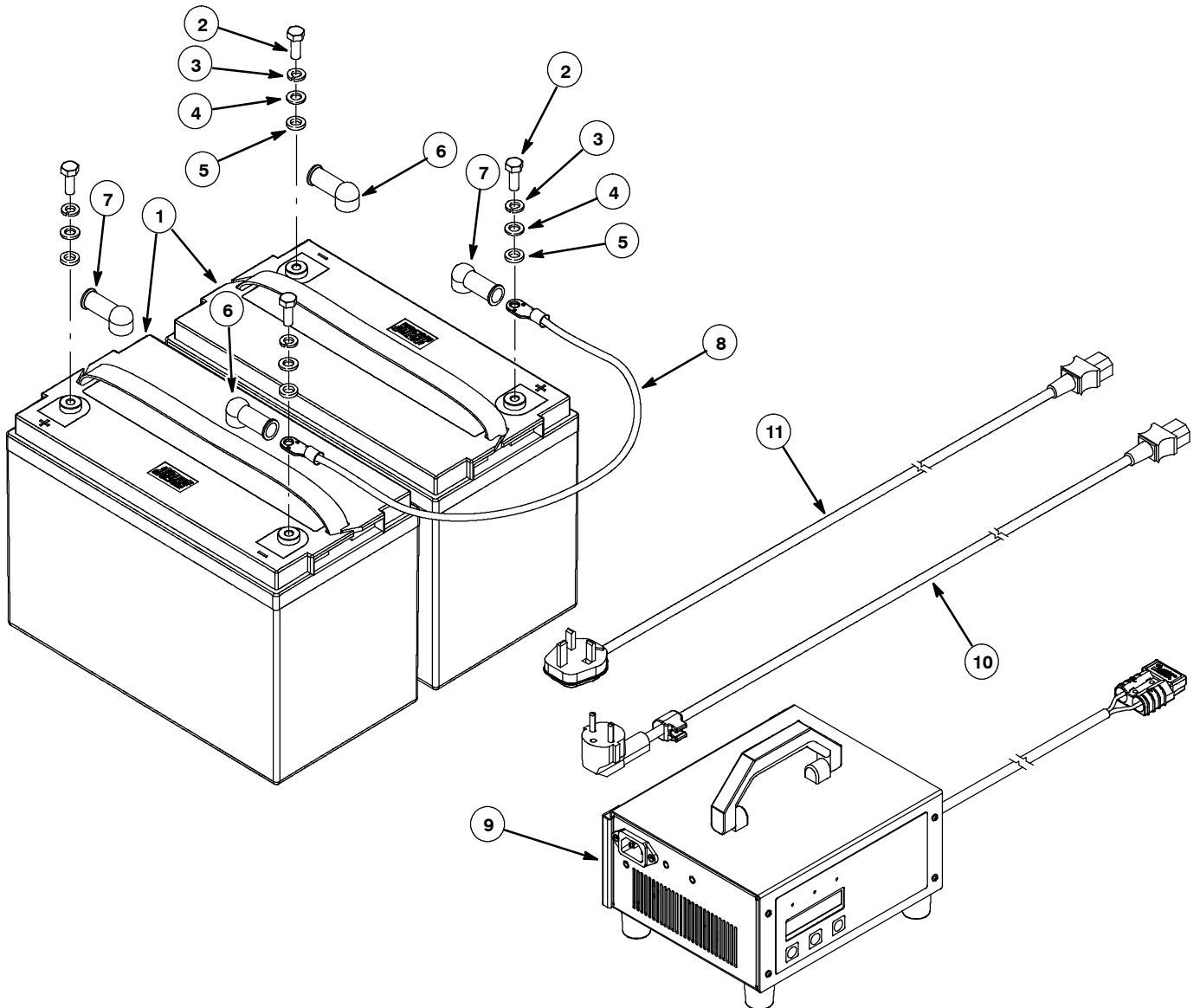
# STANDARD PARTS

## BRUSHES / PAD DRIVER AND PADS, 50 CM / 20 IN DISK



Ref.	Part No.	Mfr. Date	Description	Qty.
1	1016811	( )	Brush Assy, Disk, Scb, 20.0d, Pyp	1
1	1016810	( )	Brush Assy, Disk, Scb, 20.0d, Nyl	1
1	1016805	( )	Brush Assy, Disk, Scb, 20.0d, Abr	1
2	1225721	( )	Driver Assy, Pad, 50cm, Brush, 3 Lug	1
3	994539	( )	Pad, Polish, 20.0/510, White [5pc]	1
3	994540	( )	Pad, Buff, 20.0d /510, Red [5pc]	1
3	994541	( )	Pad, Scb, 20.0inch /510, Blu [5pc]	1
3	994542	( )	Pad, Strip, 20.0/510, Brown[1pick=5pads]	1
3	994543	( )	Pad, 20.0/510 [3m, Hi- Pro, 5pc]	1
4	MPVR04088	( )	Lock, Center, Pad Driver	1
5	SPPV00489	( )	Flange, Center Lock, Pad HolderVac	1

BATTERY AND CHARGER GROUP

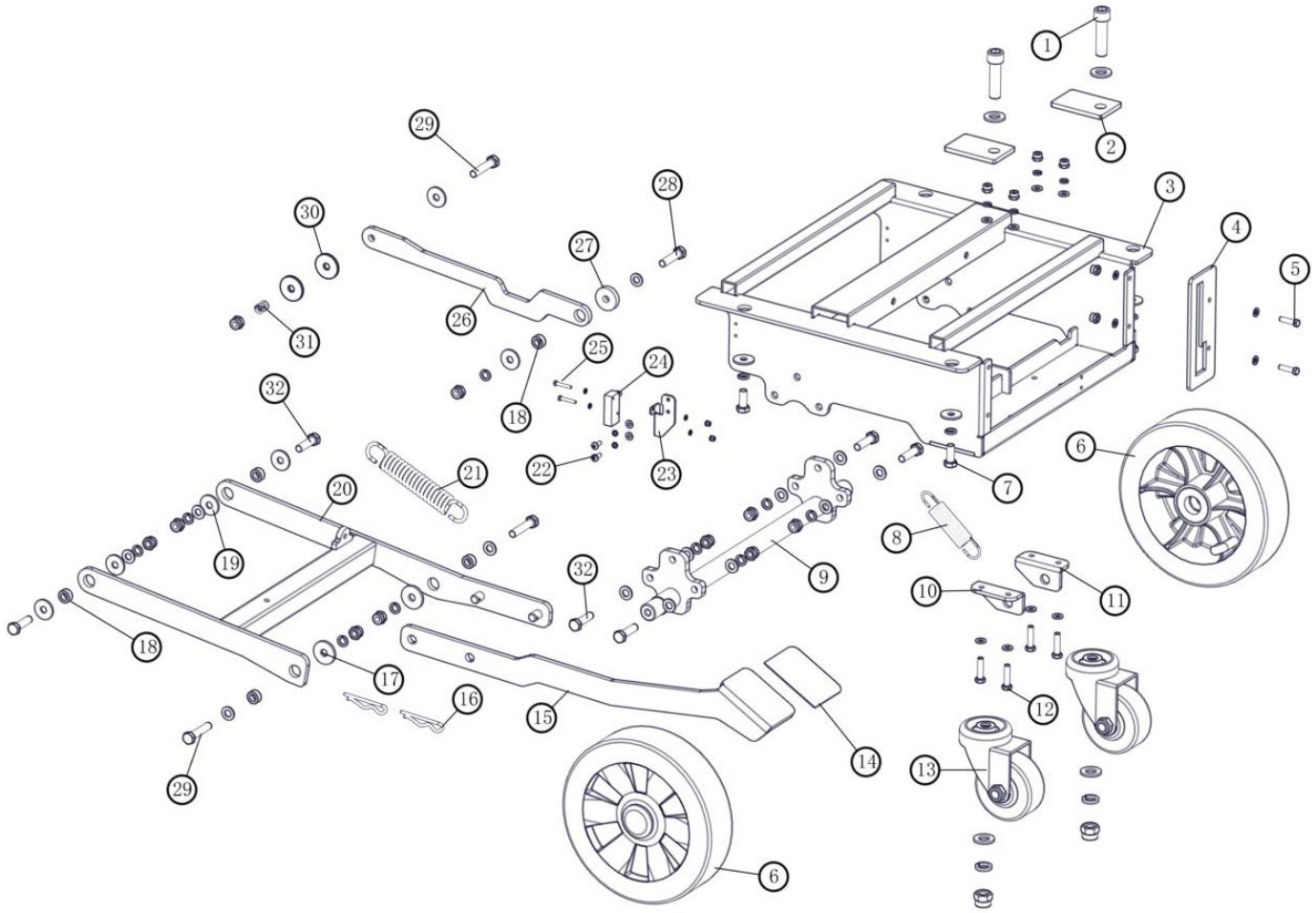


Ref.	Part No.	Mfr. Date	Description	Qty.
▽ 1	1274853	( )	Battery,Agm,12vdc,120ah [Leoch]	2
▲ 2	09740	( )	Screw, Hex, M8 X 1.25 X 20, Ss	2
▲ 3	CN4000406	( )	Washer, M8	2
▲ 4	CN4000373	( )	Washer, M8	2
5	CN5000789	( )	Gm50b Battery Booster Pad - D	4
6	611221	( )	Boot, Terminal, Battery, 25.4mm, Blk (Black)	2
7	CN5002220	( )	Gm50b Battery Pile Head Cover (Red)	2
8	CN5003048	( )	R50b Harness 13	1
9	9030081	( )	Charger, Kit, 24vdc [T260,Am,Emea]	1
10	1044068	( )	Cord, Power, Blk [2.5meter, Kor/Ce]	1
11	1044069	( )	Cord, Power, Blk [2.5meter, Uk]	1
N/S	CN5006061	( )	Wiring, Harness 5, Battery [T260]	1

▽ ASSEMBLY

▲ INCLUDED IN ASSEMBLY

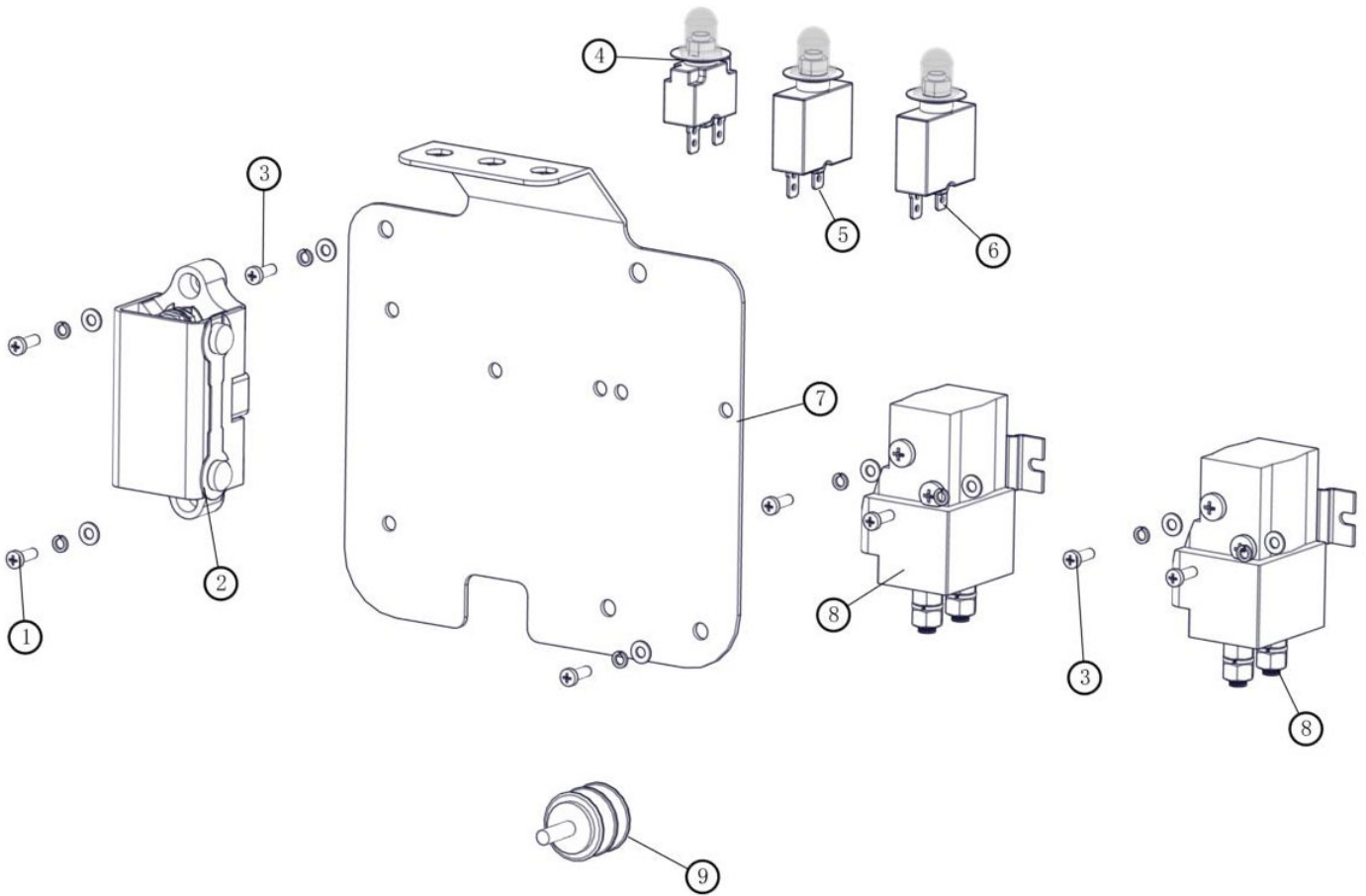
MAIN FRAME GROUP



## MAIN FRAME GROUP

Ref.	Part No.	Mfr. Date	Description	Qty.
1	CN4000228	( )	Screw, Soc, M12 X 45, 12.9	2
2	CN5006125	( )	Plate, Castor	2
3	CN5006077	( )	Frame Wldt	1
4	CN5006085	( )	Plate, Foot, Limiter	1
5	CN4000062	( )	Screw, Soc, M5 X 20	2
6	CN5002310	( )	Wheel, 200.0mmd 50.0mmw 42.0mmb	2
7	12273	( )	Screw, Hex, M8 X 1.25 X 20, NI, Ss	4
8	CN5006067	( )	Spring, Extn, 20.0mmd 2.0mmwir 98.0mml	1
9	CN5006078	( )	Shaft Wldt, Axle	1
10	CN5006083	( )	Bracket, Lh	1
11	CN5006084	( )	Bracket, Rh	1
12	1016005	( )	Screw, Hex, M6 X 1.00 X 25, NI, FI, Ss	4
12	08712	( )	Nut, Hex, Lock, M6 X 1.00, NI, Ss	4
13	CN4000699	( )	Caster, Swivel	2
14	CN5006262	( )	Tread, Non- Skid, 50.0mmw 73.5mml	1
15	TN5100632	( )	Plate, Pedal, Arm New [T260]	1
16	CN4000904	( )	Pin, Cotter, 2x40	2
17	CN4000375	( )	Washer, M8	2
18	CN5005669	( )	Bushing, Brs, 8.2mmb 15.0mmd 7.0mml	5
19	01685	( )	Washer, Flat, 0.38b 0.88d .08, Ss	5
20	CN5006235	( )	Arm Wldt, Lift	1
21	CN5006042	( )	Spring, Extn, 23.5mmd 3.5mmwir 146.0mml	1
22	49697	( )	Screw, Pan, Phl, M4 X 0.70 X 10, Ss	2
22	41579	( )	Washer, Flat, 08, Ss	2
23	CN5006089	( )	Bracket, Switch, Mtg	1
24	CN5006133	( )	Switch, Micro	1
25	06922	( )	Screw, Pan, Phl, M3 X 0.50 X 20, 4.8	2
25	579211	( )	Nut, Hex, Lock, M3 X 0.50, NI, Ss	2
26	CN5006238	( )	Plate, Brush, Rh	1
27	CN5006086	( )	Washer, 28.0mmd 8.2mmb 6mmt	1
28	09023	( )	Screw, Hex, M8 X 1.25 X 35, FI, Ss	1
28	08713	( )	Nut, Hex, Lock, M8 X 1.25, NI, Ss	1
29	74440	( )	Screw, Hex, M8 X 1.25 X 40, NI, Ss	3
29	08713	( )	Nut, Hex, Lock, M8 X 1.25, NI, Ss	3
30	CN5005713	( )	Washer, 30.0mmd 8.2mmb 3mmt, Ptfе	2
31	CN5005977	( )	Spring, Cmpr, 12.0mmd 1.4mmwir 14.0mml	1
32	76570	( )	Screw, Hex, M8 X 1.25 X 30, 8.8	6
32	08713	( )	Nut, Hex, Lock, M8 X 1.25, NI, Ss	6

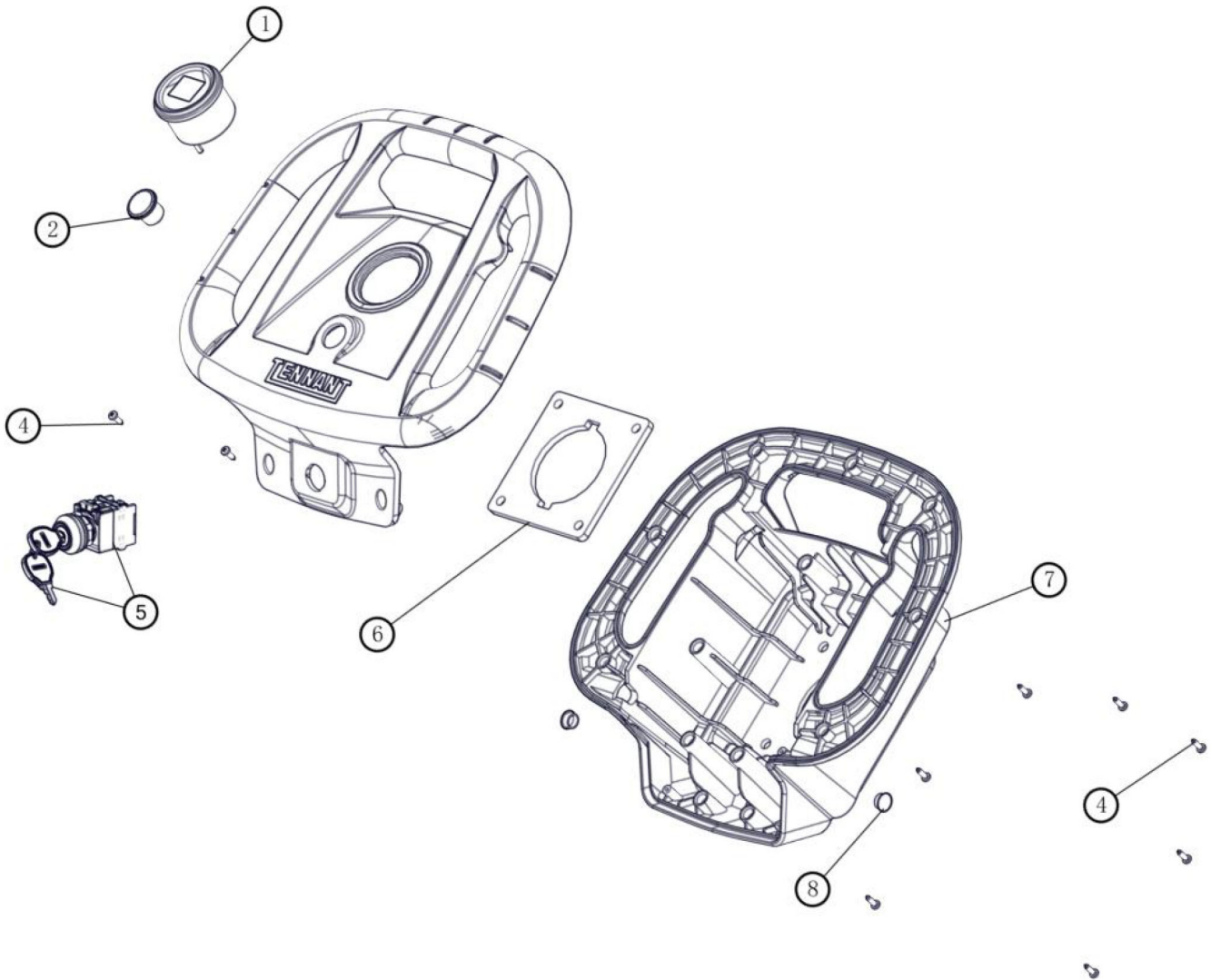
ELECTRICAL GROUP



## ELECTRICAL GROUP

Ref.	Part No.	Mfr. Date	Description	Qty.
1	CN4000194	( )	Screw, Pan, Phl, M4 X 14	2
1	41579	( )	Washer, Flat, 08, Ss	2
2	CN5001636	( )	Fuse,100a	1
3	579237	( )	Screw, Pan, Phl, M4 X 0.70 X 12, Ss	6
3	41579	( )	Washer, Flat, 08, Ss	6
4	CN5001643	( )	Fuse, 5a	1
5	CN5001647	( )	Fuse, 25a	1
6	CN5001644	( )	Fuse, 30a	1
7	CN5006242	( )	Bracket, Ele, Mtg	1
8	CN5001703	( )	Contact, Sw60- 40p	2
9	CN5001698	( )	Knob, Head	1

CONTROL PANEL GROUP



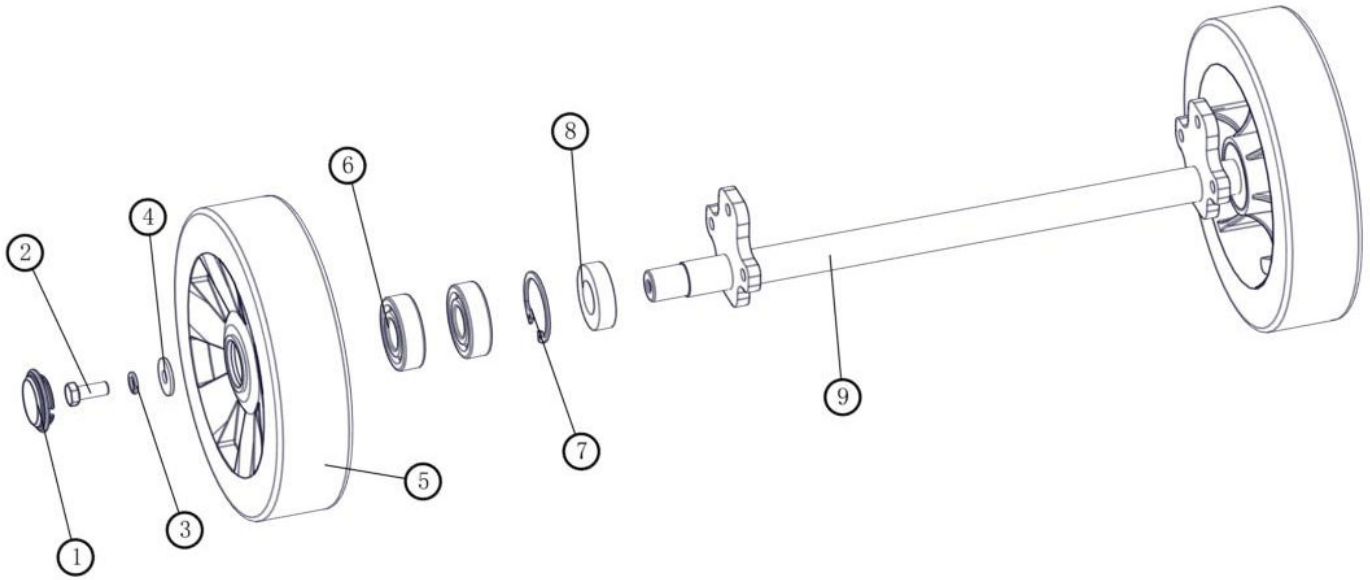
## CONTROL PANEL GROUP

Ref.	Part No.	Mfr. Date	Description	Qty.	
1	CN5006049	( )	Gauge, Battery	1	
2	CN5006233	( )	Switch, Light, Green	1	
3	CN5006222	( )	Housing, Handle, Cntrl, Top	1	
4	CN4001130	( )	Screw, Pan, Phl, M3.5 X 12, Fmg	9	
▽	5	CN5001518	( )	Gm50b General Power Switch	1
▲		CN5001519	( )	Key	1
6	CN5005689	( )	Plate, Handle	1	
7	CN5006223	( )	Housing, Handle, Cntrl, Bottom	1	
8	CN5006111	( )	Plug, Hole, Rnd, 13mm	2	
N/S	CN5006057	( )	Wiring, Harness 1, Control Panel [T260]	1	
N/S	CN5006217	( )	Wiring, Harness 1, Mot Button [T260]	1	

▽ ASSEMBLY

▲ INCLUDED IN ASSEMBLY

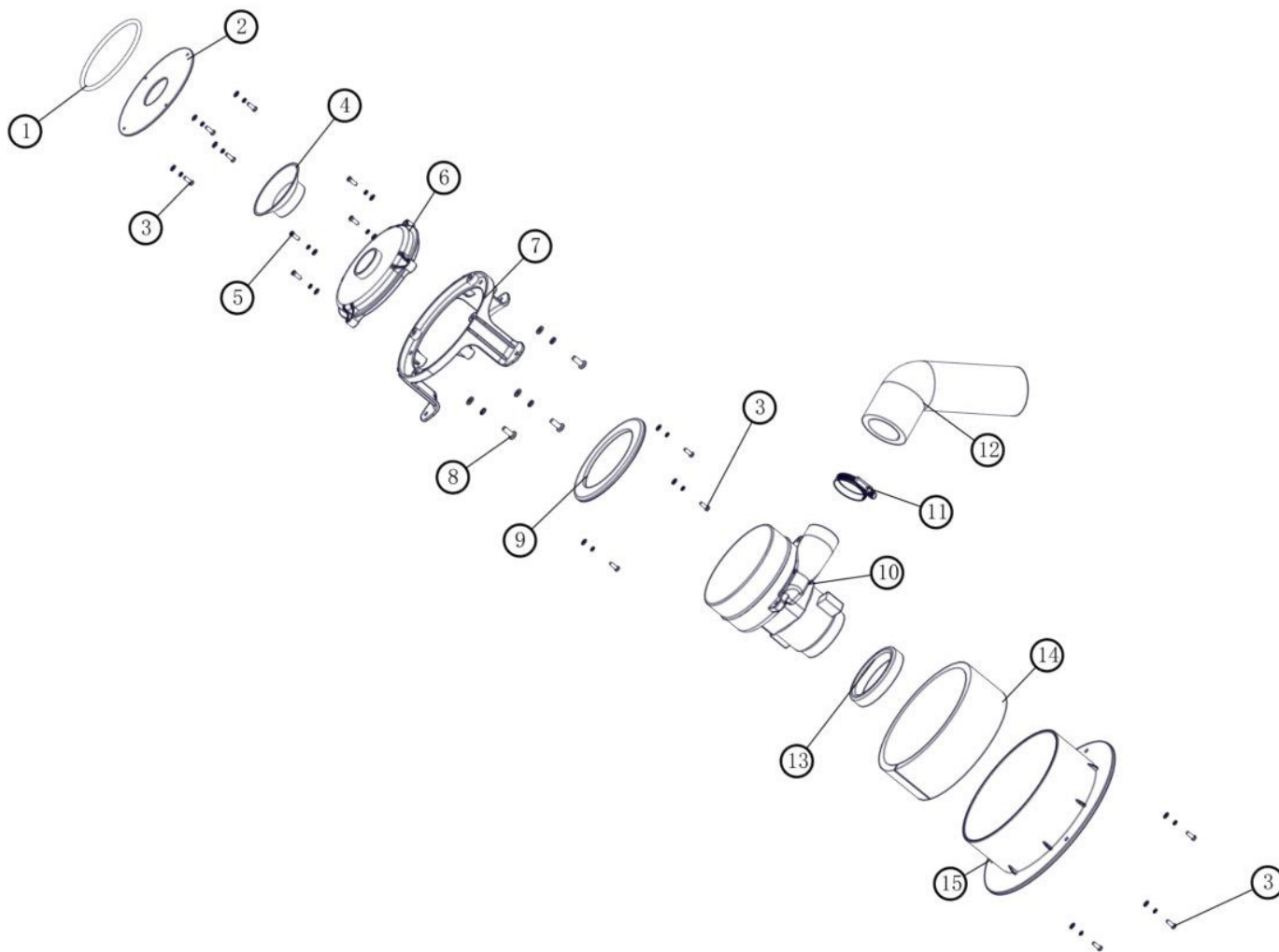
WHEEL ASSEMBLY



## WHEEL ASSEMBLY

Ref.	Part No.	Mfr. Date	Description	Qty.
1	CN5006221	( )	Cap, Hub, Dust, 28.5mmd 10.8mml	2
2	12273	( )	Screw, Hex, M8 X 1.25 X 20, NI, Ss	2
3	CN4000406	( )	Washer, M8	2
4	01685	( )	Washer, Flat, 0.38b 0.88d .08, Ss	2
5	CN5002310	( )	Wheel, 200.0mmd 50.0mmw 42.0mmb	2
6	CN4000522	( )	Bearing, Ball	4
7	CN4000499	( )	Ring, Retaining, Int, 42mmd	2
8	CN4000673	( )	Seal, Washer, 42.0mmd 22.0mb 11mml	2
9	CN5006078	( )	Shaft Wldt, Axle	1

MOTOR ASSEMBLY



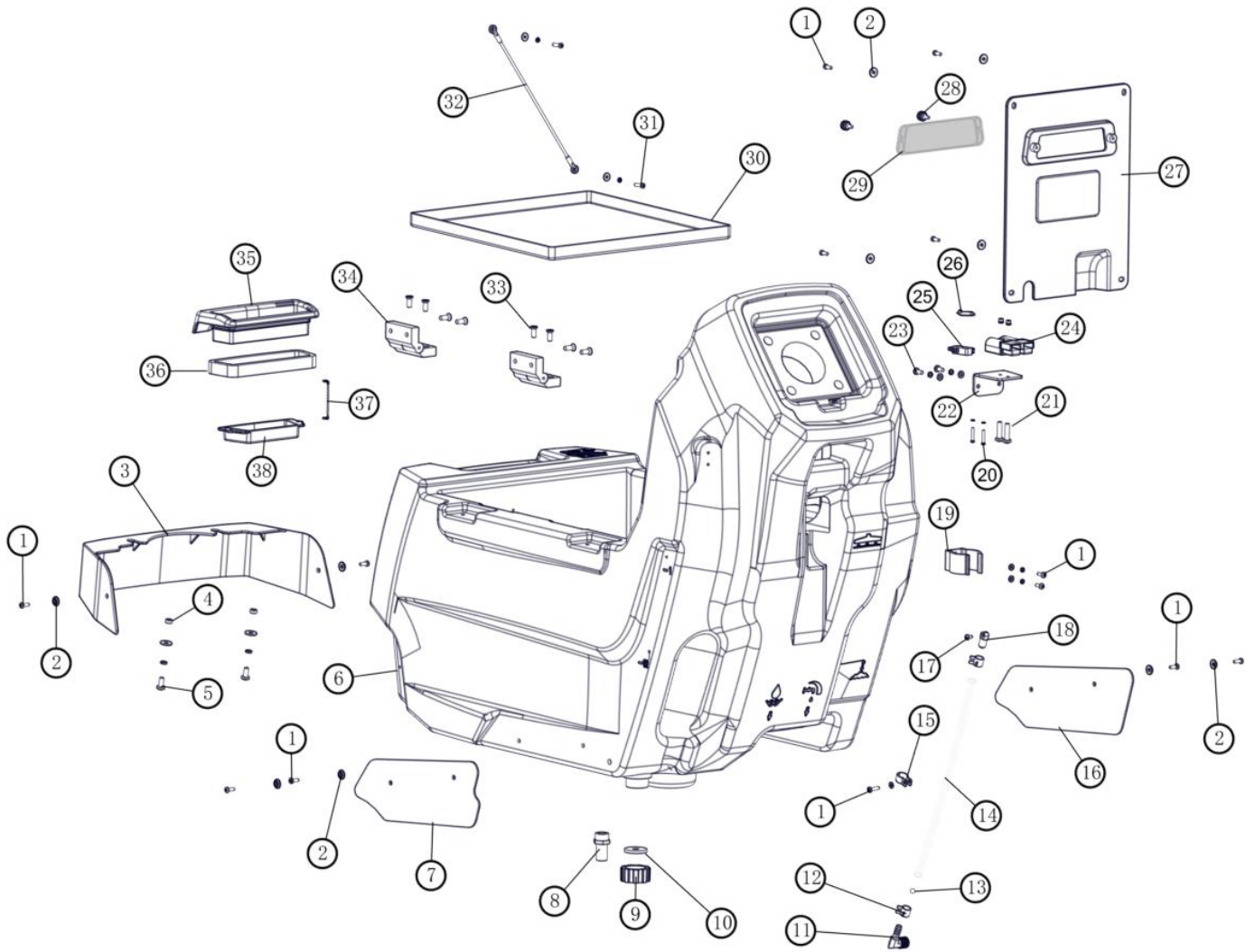
MOTOR ASSEMBLY

Ref.	Part No.	Mfr. Date	Description	Qty.
1	CN4000660	( )	Seal, Org, 5.3mm X 115mm Id	1
2	CN5000511	( )	Plate, Motor	1
3	579237	( )	Screw, Pan, Phl, M4 X 0.70 X 12, Ss	10
3	41579	( )	Washer, Flat, 08, Ss	10
4	CN5002337	( )	Fitting, Motor, Mount	1
5	06929	( )	Screw, Pan, Phl, M4 X 0.70 X 25, 4.8	4
5	41579	( )	Washer, Flat, 08, Ss	4
6	CN5002144	( )	Cover, Motor, Vacfan	1
7	CN5006115	( )	Mount, Vacfan	1
8	08716	( )	Screw, Hex, M6 X 1.00 X 20, Ss	3
9	CN5002338	( )	Gasket, 145.0mm Od 105.0mm Id 6.4mm T	1
▽ 10	TN5100521	( )	Motor, Suction, 122763- 00 [T260]	1
▲	CN5001828	( )	Brush, Motor	1
11	11531	( )	Clamp, Hose, Wormdrive, 1.06- 2.00d, .56w	1
12	CN5003632	( )	Muffler, Exhaust, Vacfan	1
13	CN5005973	( )	Dampener, Ring, 95.6od 77.0id 12.5t	1
14	CN5006070	( )	Insulation, Acstc	1
15	CN5006114	( )	Housing, Motor	1
N/S	CN5006218	( )	Harness, T260 Suction Motor	1

▽ ASSEMBLY

▲ INCLUDED IN ASSEMBLY

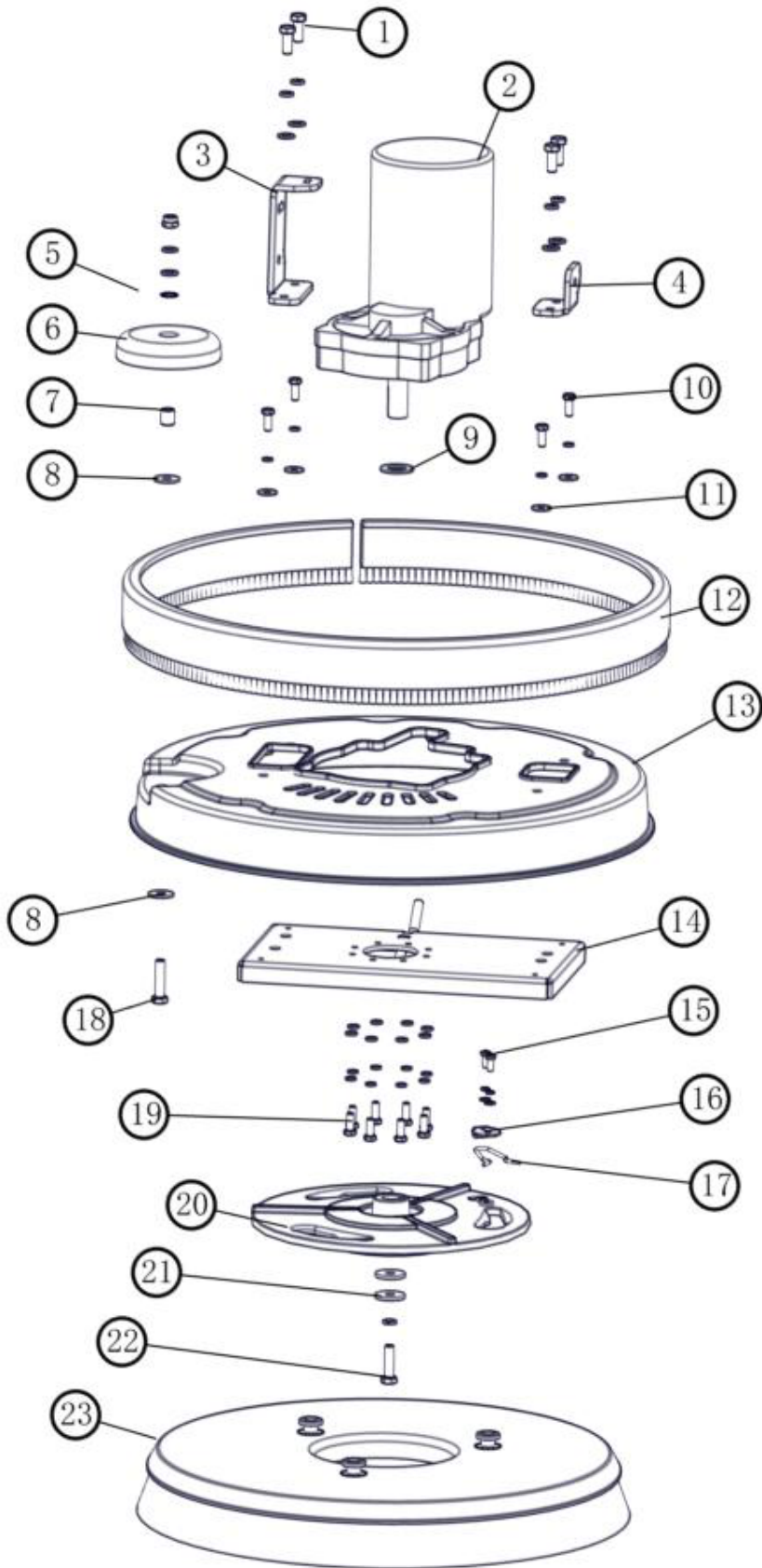
SOLUTION TANK GROUP



## SOLUTION TANK GROUP

Ref.	Part No.	Mfr. Date	Description	Qty.
1	579237	( )	Screw, Pan, Phl, M4 X 0.70 X 12, Ss	16
2	CN5005283	( )	Washer, Nyl, Blk, 14.0mmd 4.5mmb 3.0mmt	11
3	CN5006225	( )	Shroud, Frame, Front	1
4	CN5006097	( )	Bushing, 9mmod 6mmd 4mmt	2
5	CN4000231	( )	Screw, M6 X 14	2
6	9030084	( )	Kit, Tank, Solution [W/Labels,T260]	1
7	CN5006227	( )	Plate, Cover, Tank, Soltn, Lh	1
8	CN5001393	( )	Fitting	1
9	CN5001935	( )	Cap, Soltn, Tank	1
10	CN5002217	( )	Washer, Gasket	1
11	CN5001384	( )	Fitting, Brs, E90	1
12	CN4001008	( )	Clamp, Hose	2
13	CN5002145	( )	Float, Level, Red, 6mm	1
14	CN5002860	( )	Hose, Pvc, Clr, 12mmod 8mmd	1
15	CN4000020	( )	Clamp, Cable, 24.0mmd, 1hole	1
16	CN5006228	( )	Plate, Cover, Tank, Soltn, Rh	1
17	CN4000194	( )	Screw, Pan, Phl, M4 X 14	1
18	CN5002029	( )	Fitting	1
19	CN5001942	( )	Clip, Hose	1
20	06929	( )	Screw, Pan, Phl, M4 X 0.70 X 25, 4.8	2
21	1033197	( )	Screw, Pan, Phl, M4 X 0.70 X 25, Ss	2
21	33932	( )	Nut, Hex, Lock, M4 X 0.70, NI, Ss	2
22	CN5006100	( )	Bracket, Charging	1
23	09200	( )	Screw, Pan, Phl, M5 X 0.80 X 12, Ss	2
23	140011	( )	Washer, Flat, 0.21b 0.45d .03, Ss	2
24	CN5006251	( )	Wiring, Harness 3, Chrgr Connect [T260]	1
25	TN5100004	( )	Switch, Mircro	1
26	1013705	( )	Plate, Thread, Switch, M3 Nut, 96hr PI	1
27	CN5006113	( )	Cover, Plt, Ele	1
28	CN4001106	( )	Screw, M4 X 10	2
29	CN5005734	( )	Cover, Wndw	1
30	CN5001940	( )	Tray, Battery	1
31	24265	( )	Screw, Pan, Phl, M4 X 0.70 X 16, Ss	2
32	CN4001158	( )	Cable, 320mml X 2.5mmd 6.5eye/6.5eye	1
33	16879	( )	Screw, Flt, Soc, M6 X 1.00 X 20, 10.9	8
34	CN4001141	( )	Hinge Assy	2
35	9014409	( )	Kit, Cvr, Fill, Ci [Ce]	1
36	1046428	( )	Seal, Afmkt, Rbr, Clsd, Adh, 02ft	1
37	621443	( )	Chain, Ball, 10, 0157mml, Ss	2
37	CN4000048	( )	Screw, Phl	1
38	CN5006234	( )	Tray, Debris, Tank, Soltn	1
N/S	CN5006060	( )	Wiring, Harness 4, Contact Input [T260]	1
N/S	CN5006062	( )	Wiring, Harness 6, 5a Fuse [T260]	1
N/S	CN5006063	( )	Wiring, Harness 7, Brush Mot Fuse [T260]	1
N/S	CN5006064	( )	Wiring, Harness 8, Vac Fan Fuse [T260]	1
N/S	CN5006065	( )	Wiring, Harness 9, Main [T260]	1

SCRUB HEAD GROUP



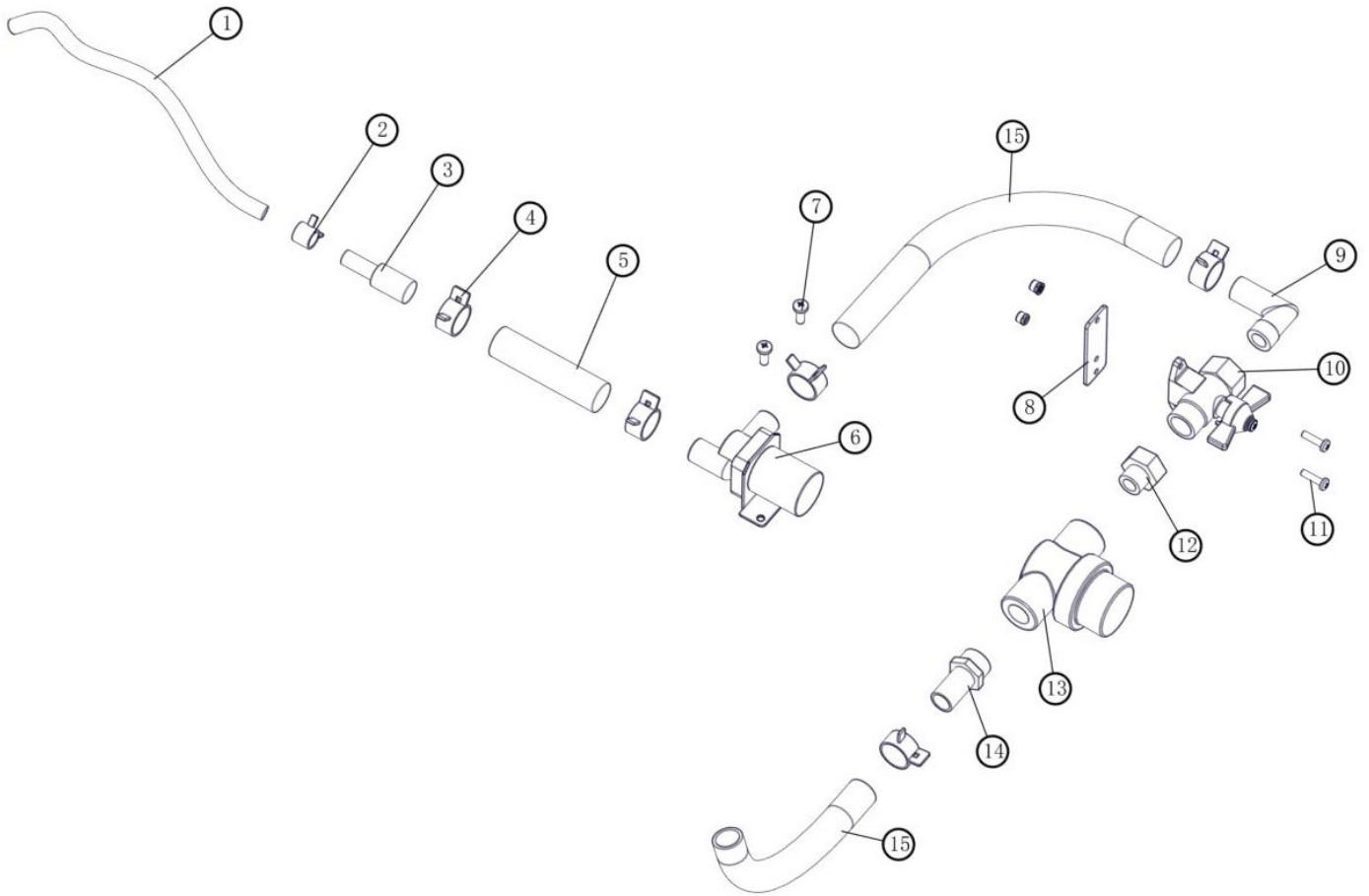
## SCRUB HEAD GROUP

Ref.	Part No.	Mfr. Date	Description	Qty.
1	12273	( )	Screw, Hex, M8 X 1.25 X 20, NI, Ss	4
▽	2	TN5100523	( ) Motor, Brush, Hy- 216- 5 [T260]	1
▲		CN5001828	( ) Brush, Motor	1
3	CN5006239	( )	Bracket, Brush	1
4	CN5006090	( )	Bracket, Brush, Tray	1
5	CN4000418	( )	Washer	1
6	CN5001941	( )	Guide, Wheel, Blk	1
7	CN5000974	( )	Bushing, Brs, 8.2mmb, 12.3mmd, 14mml	1
8	01685	( )	Washer, Flat, 0.38b 0.88d .08, Ss	2
9	CN5005987	( )	Washer, Flat, 31.0mmd 18.2mmb 2.0mm	1
10	11329	( )	Screw, Hex, M6 X 1.00 X 16, NI, Ss	4
11	01684	( )	Washer, Flat, 0.27b 0.69d .05, Ss	4
12	CN5006241	( )	Cover, Skirt, Brush	1
13	CN5006226	( )	Cover, Brush	1
14	CN5006080	( )	Plate Wldt, Brush, Mtg	1
15	09200	( )	Screw, Pan, Phl, M5 X 0.80 X 12, Ss	2
15	140011	( )	Washer, Flat, 0.21b 0.45d .03, Ss	2
16	CN5005707	( )	Plate, Clamp, Brush	1
17	CN5005725	( )	Clip, Spring, Drive, Hub, Release	1
18	1016399	( )	Screw, Hex, M8 X 1.25 X 30, NI, Ss	1
18	08713	( )	Nut, Hex, Lock, M8 X 1.25, NI, Ss	1
19	12277	( )	Screw, Hex, M6 X 1.00 X 20, NI, Ss	8
20	CN5005656	( )	Hub, Drive, 3 Lug, Alm	1
21	CN4000375	( )	Washer, M8	2
22	12333	( )	Screw, Hex, M8 X 1.25 X 25, Ss, NI	1
23	CN5006244	( )	Bush Assy, Disc, Scb, 50cm	1
23	CN5006245	( )	Driver Assy, Pad, 50cm, 3 Lug	1

▽ ASSEMBLY

▲ INCLUDED IN ASSEMBLY

HOSE GROUP



## HOSE GROUP

Ref.	Part No.	Mfr. Date	Description	Qty.
1	1052336	( )	Hose, Afmkt, Pvc, Brd, 0.31id, 03ft, Clr	1
2	CN5004738	( )	Clamp, Hose, Spring, 13mmd	1
3	CN5004737	( )	Fitting, Str, Adapter	1
4	CN5004739	( )	Clamp, Hose, Spring, 20mmd	5
5	1015025	( )	Hose, Afmkt, Pvc, Brd, 0.62id, 02ft, Clr	1
6	CN5003085	( )	Solenoid Assy, 24vdc	1
7	06933	( )	Screw, Pan, Phl, M5x0.80x16, 4.8	2
8	CN5006088	( )	Plate, Water, Retaining	1
9	CN5001436	( )	Fitting, Brs, E90	1
10	CN5004736	( )	Valve, Ball	1
11	24265	( )	Screw, Pan, Phl, M4 X 0.70 X 16, Ss	2
12	CN5004733	( )	Fitting	1
13	CN5004741	( )	Filter, Mesh	1
14	CN5005002	( )	Fitting, Brs, Str	1
15	1011403	( )	Hose, Afmkt, Pvc, Brd, 0.50id, 01ft, Clr	2



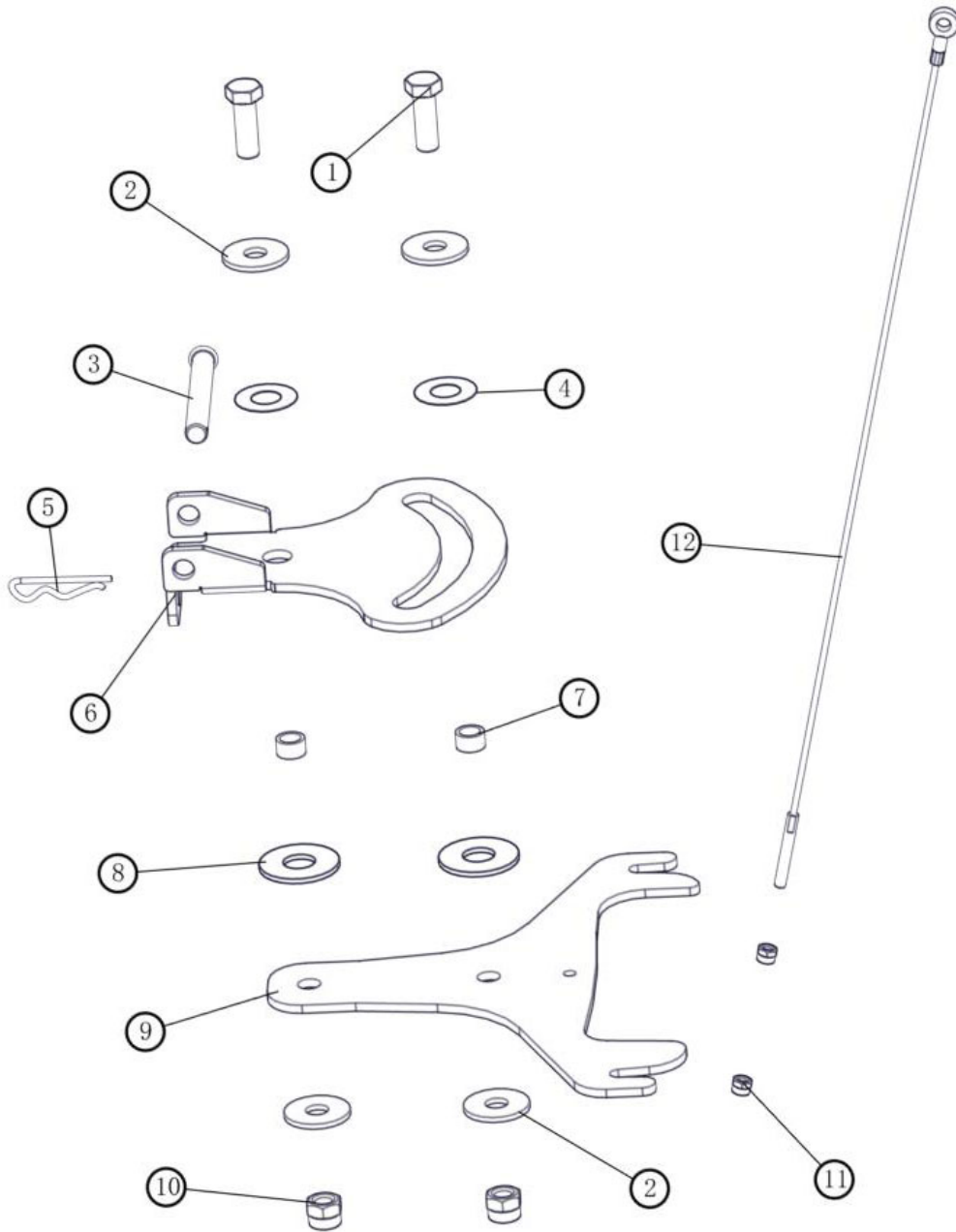
## RECOVERY TANK GROUP

Ref.	Part No.	Mfr. Date	Description	Qty.
▽ 1	9030083	( )	Manual, Parts [T260 Emea]	1
▲ 2	1066431	( )	Seal, Afmkt, Bulb, Dual, 03ft [F/.30gap]	1
3	TN5100106	( )	Guard, Grid, Vac, Motor [T260]	1
4	CN5005723	( )	Cover, Debris, Tank, Recvy	1
5	CN5005711	( )	Tray, Debris, Tank, Recvy	1
6	CN5006096	( )	Bushing, Sleeve, 6.0mmb 9.0mmd 8.0mml	2
7	01684	( )	Washer, Flat, 0.27b 0.69d .05, Ss	2
8	11329	( )	Screw, Hex, M6 X 1.00 X 16, NI, Ss	2
9	CN4000405	( )	Washer, M6	2
10	9030086	( )	Kit, Cover, Recovery [W/Labels,T260]	1
11	CN5003089	( )	Sensor, Level, Liq	1
12	CN5002179	( )	Adapter, Hose, Str	1
13	CN4000009	( )	Clamp, Hose, Wormdrive, 33 - 57mm Id	2
14	CN5002833	( )	Hose Assy, Drain, 38mmd 990mml	1
15	CN5002836	( )	Hose, Sqge, Rear, 38mm Dia	1
16	TN5100784	( )	Label Kit [T260 Emea]	1
17	1213114	( )	Label, Logo, 05.5l, Blk/Sil [Tennant]	1
18	CN5006219	( )	Label, Model [T260]	2

▽ ASSEMBLY

▲ INCLUDED IN ASSEMBLY

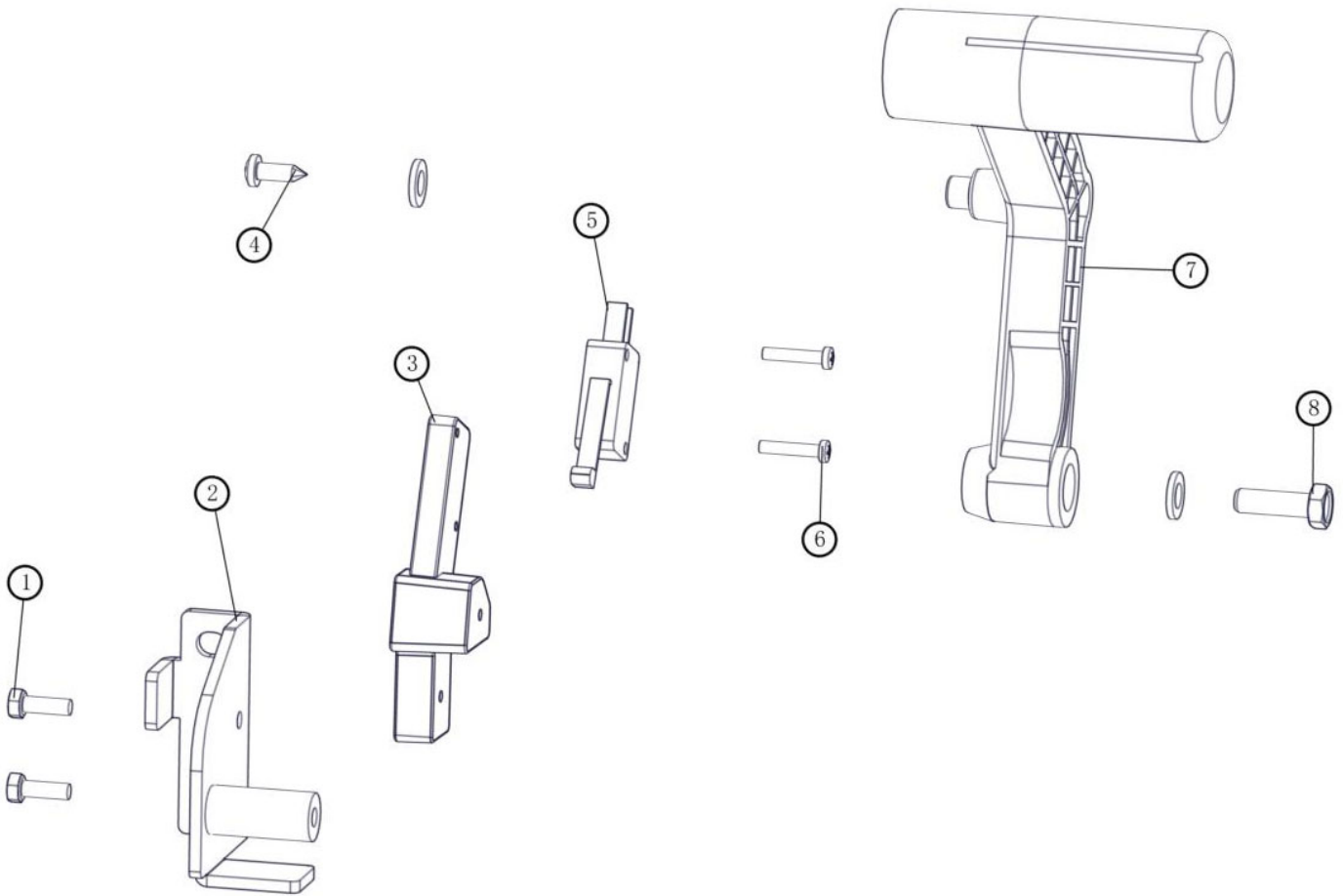
SQUEEGEE ADJUSTMENT GROUP



## SQUEEGEE ADJUSTMENT GROUP

Ref.	Part No.	Mfr. Date	Description	Qty.
1	06968	( )	Screw, Hex, M12 X 1.75 X 35, 8.8	2
2	32493	( )	Washer, Flat, 0.56b 1.38d .11, Stl, Pl	4
3	44906	( )	Pin, Cotter, Hair, 0.38d .093 Wir	1
4	CN4001004	( )	Washer, 35mmd 17mmb 0.5mml	2
5	CN4000904	( )	Pin, Cotter, 2x40	1
6	CN5006094	( )	Bracket, Lift, Sqge	1
7	CN5006098	( )	Sleeve, 12mmb 16mmd 9.2mml	2
8	CN5004742	( )	Washer, 45mmd 18mmb 3mml	2
9	CN5006237	( )	Plate, Mtg, Sqge	1
10	09741	( )	Nut, Hex, Lock, M12 X 1.75, NI, Ss	2
11	1007108	( )	Nut, Hex, Lock, M6 X 1.00, Kep, Ext	2
12	CN4001159	( )	Cable, 530mml X 3mmd 8.2eye/M6	1

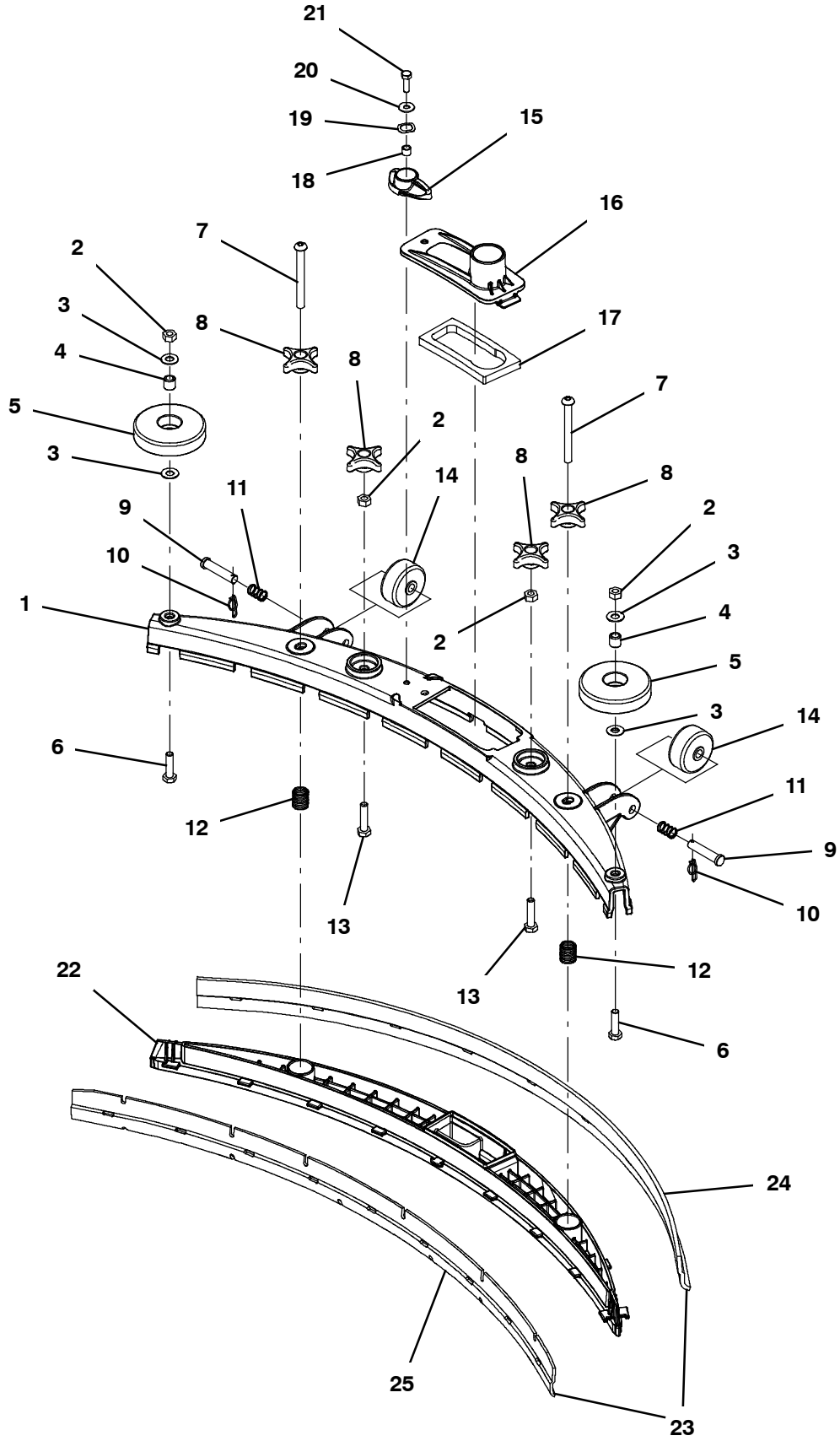
SQUEEGEE LIFT GROUP



## SQUEEGEE LIFT GROUP

Ref.	Part No.	Mfr. Date	Description	Qty.
1	579237	( )	Screw, Pan, Phl, M4 X 0.70 X 12, Ss	2
1	41579	( )	Washer, Flat, 08, Ss	2
2	CN5006284	( )	Bracket Wldt, Lift, Sqge	1
3	CN5006106	( )	Arm, Mtg, Switch, Alm	1
4	CN4000048	( )	Screw, Phl	1
5	CN5001521	( )	Switch, Micro	1
6	06921	( )	Screw, Pan, Phl, M3 X 0.50 X 16, 4.8	2
7	CN5001932	( )	Handle, Sqge, Lower, Lift	1
8	09744	( )	Screw, Hex, M6 X 1.00 X 12, Ss	1

SQUEEGEE ASSEMBLY, 50 CM / 20 IN



SQUEEGEE ASSEMBLY, 50 CM / 20 IN

Ref.	Part No.	Mfr. Date	Description	Qty.
▽	9014172	( )	Squeegee Kit, Linatex, Ci [T300/E/Ss300]	1
▲	1	1230946	( ) Frame, Sqge, 50cm, Mach [T300]	1
▲	2	07786	( ) Nut, Hex, Std, M8 X 1.25, Ss	2
▲	3	140027	( ) Washer, Flat, 0.35b 0.75d .04, Ss	4
▲	4	222460	( ) Sleeve, P/M, 0.32b 0.50d 0.5l [430ss]	2
▲	5	1010560	( ) Wheel, Bmpr, 80d X 25w, Non-Marking	2
▲	6	1016399	( ) Screw, Hex, M8 X 1.25 X 30, Ni, Ss	2
▲	7	1255358	( ) Screw, Btn, M8 X 1.25 X 85, Ss	2
▲	8	1213677	( ) Knob, Star, 2.00od 4ear M8x1.25 [Yel]	4
▲	9	17461	( ) Pin, Clevis, 0.37d X 1.75l	2
▲	10	1216647	( ) Pin, Cotter, Hair, 0.38d .054 Wir	2
▲	11	1017091	( ) Spring, Cmpr, 0.50od .04wir 00.8l	2
▲	12	22290	( ) Spring, Cmpr, 0.72od .06wir 02.3l	2
▲	13	09026	( ) Screw, Hex, M8 X 1.25 X 40, Ss	2
▲	14	630477	( ) Wheel, Pyu, 02.0d 0.38w, Gray	2
▲	15	1222109	( ) Knob, Sqge, 58l, M6 X 1.00, Plstc	1
▲	16	1209631	( ) Cover, Trap, Water, Sqge	1
▲	17	1210756	( ) Gasket, Trap, Water, Sqge	1
▲	18	140154	( ) Sleeve, P/M, 0.25b 0.38d 0.3l, PI	1
▲	19	140060	( ) Washer, .505 X .750 X 0.45 Wave	1
▲	20	01684	( ) Washer, Flat, 0.27b 0.69d .05, Ss	1
▲	21	12277	( ) Screw, Hex, M6 X 1.00 X 20, Ni, Ss	1
▲	22	1203638	( ) Retainer, Sqge [T300]	1
▲▽	23	9015731	( ) Blade Kit, 500mm, Linatex (Standard)	1
▲▲	24	1203953	( ) Blade, Sqge, Rear, 836l, Linatex[500mm] (Standard)	1
▲▲	25	1203954	( ) Blade, Sqge, Front, 788l, Linatex[500mm] (Standard)	1
▽	23	9015732	( ) Blade Kit, 500mm, Urethane (Optional)	1
▲	24	1215609	( ) Blade, Sqge, Rear, 836l, Urethane[500mm] (Optional)	1
▲	25	1215611	( ) Blade, Sqge, Front, 788l, Urethane[500mm] (Optional)	1
▽	23	9015730	( ) Blade Kit, 500mm, Gum (Optional)	1
▲	24	1215610	( ) Blade, Sqge, Rear, 836l, Gum[500mm] (Optional)	1
▲	25	1215612	( ) Blade, Sqge, Front, 788l, Gum[500mm] (Optional)	1

▽ ASSEMBLY

▲ INCLUDED IN ASSEMBLY

# STANDARD PARTS

## DOCUMENTATION GROUP

Ref.	Part No.	Serial Number	Description	Qty.
1	9030083	( )	Manual, Parts [T260 Emea]	1
2	TN7100042	( )	Manual, Oprtr [T260,Emea,En]	1
3	9030351	( )	Manual, Oprtr [T260,Emea,Bg]	1
4	9030352	( )	Manual, Oprtr [T260,Emea,Cz]	1
5	9030353	( )	Manual, Oprtr [T260,Emea,Dk]	1
6	9030354	( )	Manual, Oprtr [T260,Emea,De]	1
7	9030355	( )	Manual, Oprtr [T260,Emea,Ee]	1
8	9030356	( )	Manual, Oprtr [T260,Emea,Es]	1
9	9030357	( )	Manual, Oprtr [T260,Emea,Fi]	1
10	9030358	( )	Manual, Oprtr [T260,Emea,Fr]	1
11	9030359	( )	Manual, Oprtr [T260,Emea,Gr]	1
12	9030360	( )	Manual, Oprtr [T260,Emea,Hr]	1
13	9030361	( )	Manual, Oprtr [T260,Emea,Hu]	1
14	9030362	( )	Manual, Oprtr [T260,Emea,It]	1
15	9030363	( )	Manual, Oprtr [T260,Emea,Lt]	1
16	9030364	( )	Manual, Oprtr [T260,Emea,Lv]	1
17	9030365	( )	Manual, Oprtr [T260,Emea,Nl]	1
18	9030366	( )	Manual, Oprtr [T260,Emea,No]	1
19	9030367	( )	Manual, Oprtr [T260,Emea,Pl]	1
20	9030368	( )	Manual, Oprtr [T260,Emea,Pt]	1
21	9030369	( )	Manual, Oprtr [T260,Emea,Ro]	1
22	9030370	( )	Manual, Oprtr [T260,Emea,Ru]	1
23	9030371	( )	Manual, Oprtr [T260,Emea,Se]	1
24	9030372	( )	Manual, Oprtr [T260,Emea,Sk]	1
25	9030373	( )	Manual, Oprtr [T260,Emea,Sl]	1
26	9030374	( )	Manual, Oprtr [T260,Emea,Tr]	1
27	TN7100047	( )	Guide, Quick, Start [T260,Emea]	1
28	TN5100164	( )	Manual, Service [T260,En]	1
29	TN5100788	( )	Wall, Chart [T260, Emea]	1



To view, print, or download the latest Parts manual, other language Operator manuals, and Use and Care Guides (wall charts), visit:

[www.tennantco.com/manual](http://www.tennantco.com/manual)